

# RAMSES 813 top3 HF Set 1

Item no.: 8139201

Climate control  
Clock thermostats

## Description

- Radio-controlled system for room temperature control
- Consisting of a RAMSES 813 top3 HF and a REC 1 receiver (series mounting device 5 modules) with changeover contact 6(2) A/250 V AC
- Battery version (also for retrofitting with 2-wire connection)
- Installation of clock thermostat on flush-mounted box, wall installation, or with stand possible
- Operation on device or via app
- Direct Bluetooth Low Energy (BLE) connection between app and clock thermostat, no communication via the Internet
- Settings configured conveniently via the app with intuitive operation from a smartphone or tablet
- Increased user convenience
- 3 individually programmable weekly programs, as well as comfort, eco and setback function
- Suitable for energy-saving room temperature regulation in houses, apartments, etc.
- Illuminated display through keystroke
- Intelligent control algorithm (pulse-duration controller, hysteresis controller)
- Suitable for on/off heating systems, zonebased or single-room control, electric heating units



## Technical data

RAMSES 813 top3 HF Set 1	
Operating voltage	2 AA batteries
Type of contact	Two-way switch
Switching capacity	6 A at 250 V AC, $\cos \varphi = 1$ , at 250 V AC, $\cos \varphi = 0.6$
Switching capacity min.	1 mA
Setting range temperature	2°C ... 30°C
Setting range frost protection	2°C ... 10°C
Time basis	Quartz
Program	Weekly program, Daily program, Holiday program, 3 basic programs
Radio receiver	DIN rail, 1 channel
Number of memory locations	42
External inputs	1
Control types	Pulse width modulation, Hysteresis controller

RAMSES 813 top3 HF Set 1	
Control period	5 - 30 min
Control capture range	$\pm 0.2 - \pm 5$ K
Control accuracy	$\leq \pm 0.2$ K
Mode of operation	Type 1 B as per EN 60730-1
Control types	2-point
Switching output	Potential-free, not for SELV
Suitable for SELV	Yes
Switching hysteresis	$\pm 0.2 - \pm 1$ K
Time accuracy at 25 °C	$\leq \pm 1$ s/day (quartz)
Power reserve	10 Max. without losing time min
Battery life	approx. 1 year, depending on switching frequency
Installation type	Wall installation (also on flush-mounted socket possible)

Subject to technical changes and misprints

additional information at: [www.theben.de/product/8139201](http://www.theben.de/product/8139201)

The load data are determined with exemplary selected illuminants and are therefore typical data due to the large number of available products.

# RAMSES 813 top3 HF Set 1

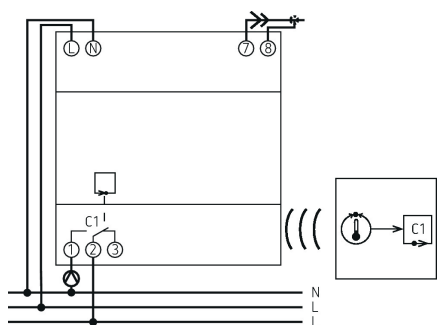
Item no.: 8139201

**theben**

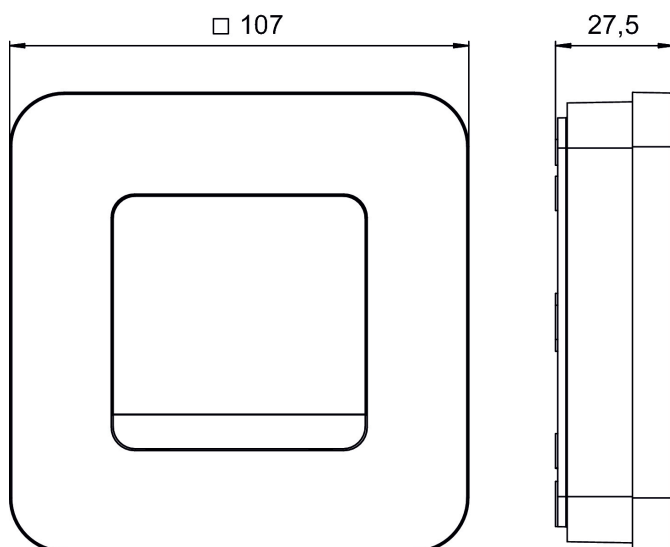
## Technical data

RAMSES 813 top3 HF Set 1	
Type of protection	IP 40
Protection class	II according to EN 60 730-1

## Connection example



## Scale drawings



Subject to technical changes and misprints

additional information at: [www.theben.de/product/8139201](http://www.theben.de/product/8139201)

The load data are determined with exemplary selected illuminants and are therefore typical data due to the large number of available products.

# RAMSES 813 top3 HF Set 1

Item no.: 8139201



## Accessories

---

Temperature sensor

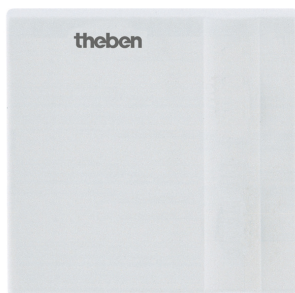
Item no.: 9070321



Temperature sensor RAMSES IP

65

Item no.: 9070459



Actuator ALPHA 5 230 V

Item no.: 9070441



Actuator ALPHA 5 24 V

Item no.: 9070442

