

RAMSES 812 BLE

Item no.: 8120150

Climate control
Clock thermostats

Description

- Digital clock thermostat for time-dependent monitoring and control of room temperature
- Mains version
- Suitable for energy-saving room temperature control in houses, apartments, etc.
- Operation via app
- Direct Bluetooth Low Energy (BLE) connection between the app and RAMSES BLE, no communication via the Internet
- Settings configured conveniently via the app with intuitive operation from a smartphone or tablet
- Increased user convenience
- External input for the flexible connection of the external temperature sensor, floor sensor, motion detector or telephone contact
- Intelligent control algorithm (pulse-duration controller, hysteresis controller)
- Suitable for on/off heating systems, zone-based or single-room control, electric heating units



Technical data

RAMSES 812 BLE	
Operating voltage	230 V AC
Frequency	50 Hz
Type of contact	NO contact
Switching capacity	8 A at 250 V AC, $\cos \varphi = 1$, 1 A at 250 V AC, $\cos \varphi = 0.6$
Setting range temperature	2°C ... 30°C
Program	Weekly program

RAMSES 812 BLE	
Number of memory locations	42
Suitable for SELV	No
Power reserve	4 hours
Installation type	Surface-mounted
Type of protection	IP 20
Protection class	II according to EN 60 730-1

Subject to technical changes and misprints

additional information at: www.theben.de/product/8120150

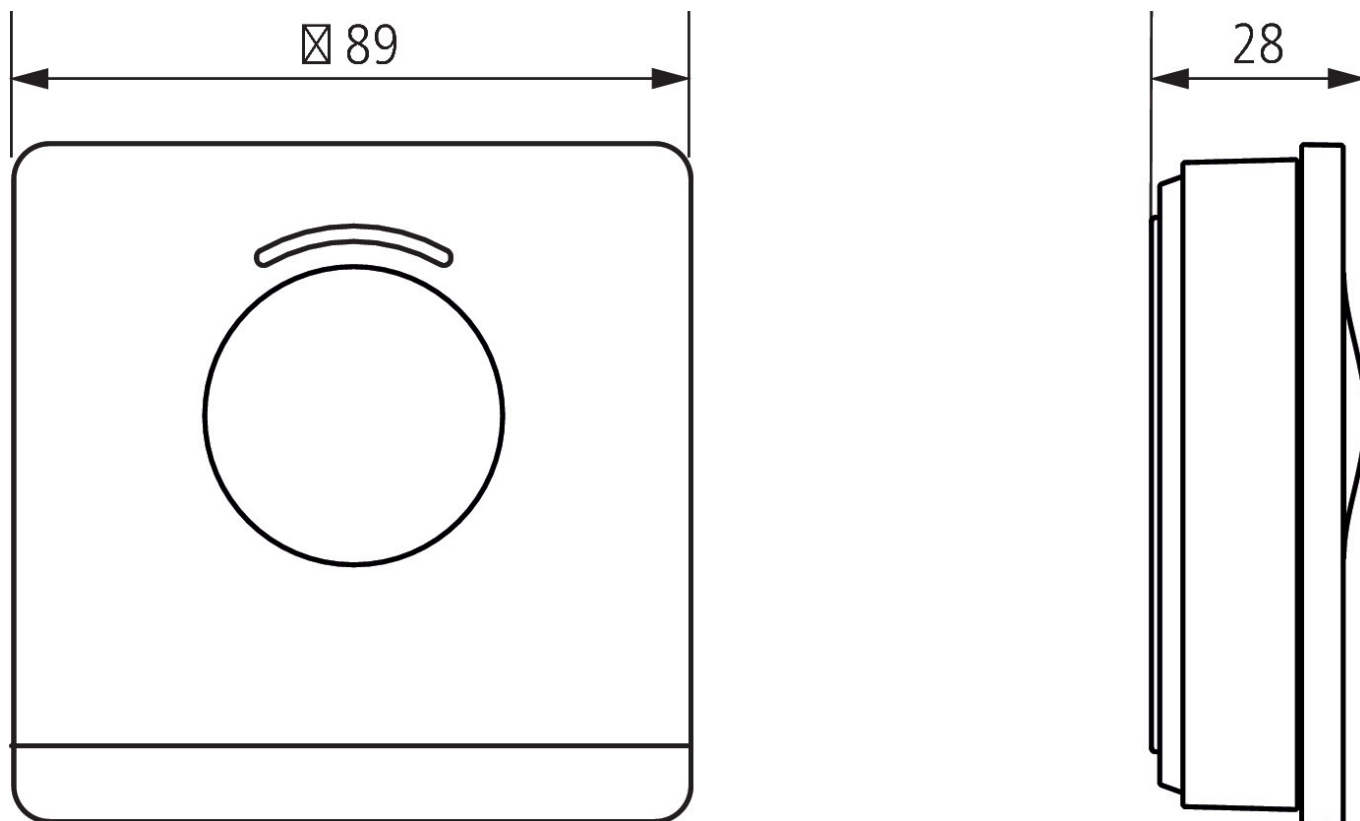
The load data are determined with exemplary selected illuminants and are therefore typical data due to the large number of available products.

RAMSES 812 BLE

Item no.: 8120150

theben

Scale drawings

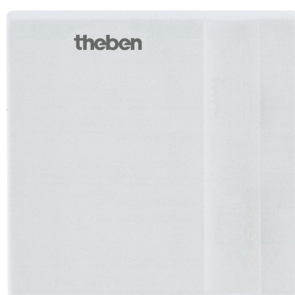


Accessories

Temperature sensor
Item no.: 9070321



Temperature sensor RAMSES IP
65
Item no.: 9070459



Subject to technical changes and misprints

additional information at: www.theben.de/product/8120150

The load data are determined with exemplary selected illuminants and are therefore typical data due to the large number of available products.