

AMUN 716 S KNX

Item no.: 7169230

theben

KNX
Sensor technology

Description

- CO₂ airquality sensor with integrated individual room thermostat
- Measures CO₂ level, relative humidity, temperature and barometric air pressure
- Three independent, configurable thresholds for the CO₂ level and relative humidity
- CO₂ setting range of 300-5000 ppm
- Actions can be carried out if thresholds are exceeded or not reached (send, priority, switching, value)
- For controlling heating actuators or motorised actuators
- Two front panels are included in delivery: a numerical and a relative scale
- Manual override button for presence or operation modes: comfort, stand-by, temperature reduction at night, frost protection
- 4 binary inputs for conventional switches/sensors (switching, dimming, blinds), also for external temperature sensor, window contact or presence signal
- Display of the current operating mode and heating/cooling mode through multi-colored LED



Technical data

AMUN 716 S KNX	
Operating voltage KNX	Bus voltage, ≤15 mA
Measuring range CO ₂	300 - 5000 ppm
Setting range temperature	-5°C ... 45°C
Measuring range humidity	1 - 100 % rH
Measuring range air pressure	30000 - 110000 Pa
Interface extension max.	30 m
Contact voltage	5 V Internal provided

AMUN 716 S KNX	
Contact current	0.5 mA
Ambient temperature	5°C ... 40°C
Installation type	Wall installation
Display	LEDs mehrfarbig
Type of protection	IP 20
Protection class	III according to EN 60 730-1

Subject to technical changes and misprints

additional information at: www.theben.de/product/7169230

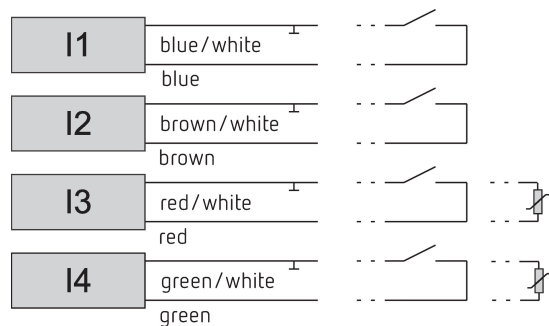
The load data are determined with exemplary selected illuminants and are therefore typical data due to the large number of available products.

AMUN 716 S KNX

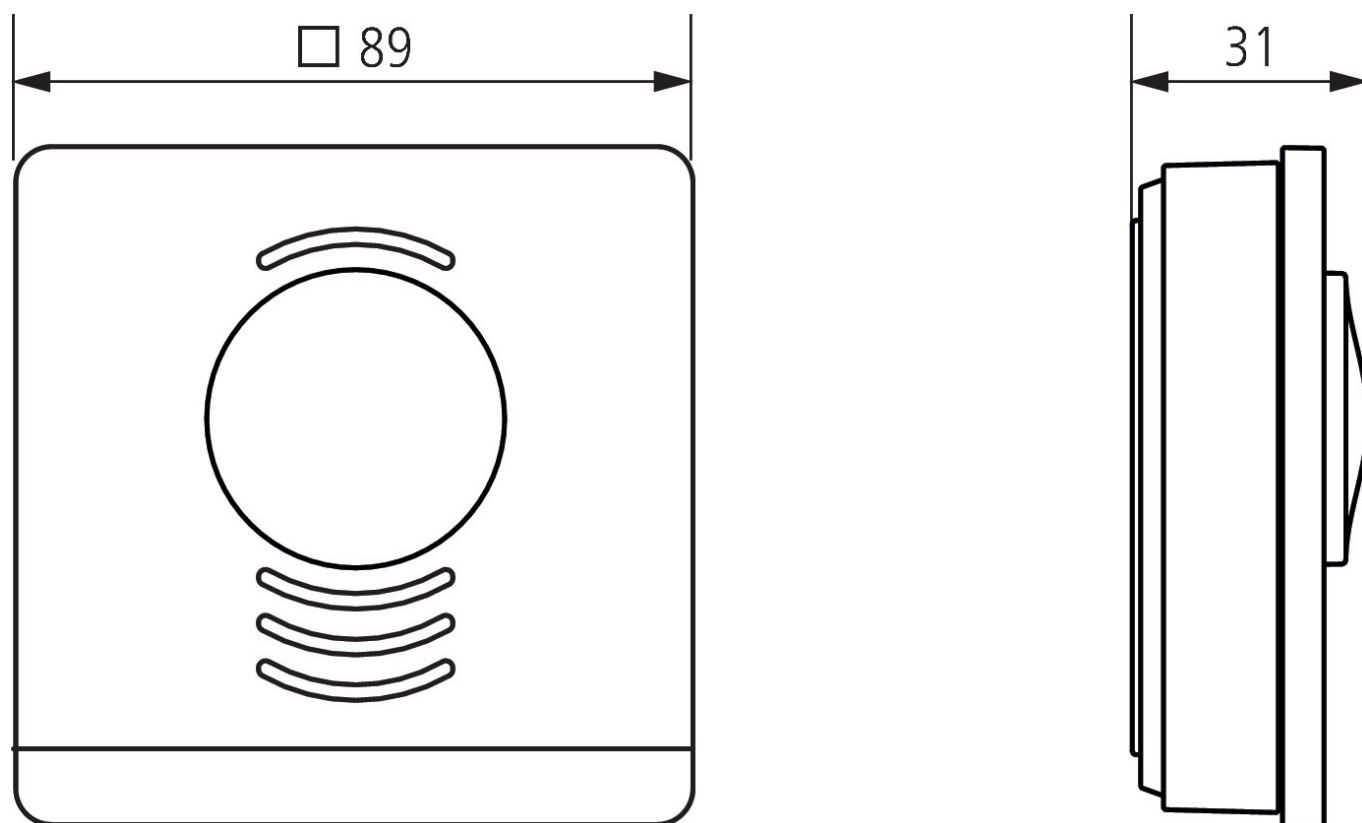
Item no.: 7169230

theben

Connection example



Scale drawings



Subject to technical changes and misprints

additional information at: www.theben.de/product/7169230

The load data are determined with exemplary selected illuminants and are therefore typical data due to the large number of available products.

19/05/2026

Page 2 of 3

AMUN 716 S KNX

Item no.: 7169230



Accessories

External temperature sensor 1

Item no.: 9070191



Temperature sensor

Item no.: 9070321



Temperature sensor RAMSES IP

65

Item no.: 9070459

