

AMUN 716 CO2 Monitor

Item no.: 7169100



Climate control
Sensor technology

Description

- Mobile CO₂ sensor with USB cable for measuring air quality
- Suitable for schools/nurseries, offices, conference or meeting rooms and living spaces
- The device warns optically via the LED traffic light system in case of a potentially dangerous CO₂ concentration - so ventilation can be optimized immediately and a healthy room climate can be created
- Green threshold value: Up to 1,000 ppm CO₂, hygienically ok, everything is in the green range!
- Threshold value orange: Up to 2,000 ppm CO₂, hygienically noticeable, Aeration - good idea!
- Threshold value red: Over 2,000 ppm CO₂, hygienically unacceptable, Ventilation is an absolute must!
- Fresh air must be supplied and the used air removed at latest when the red threshold value is reached
- Includes USB cable for easy setup
- Stand and non-slip pad included, alternative wall mounting is also possible
- Development based on the recommendation for CO₂ in indoor air of the Federal Environment Agency according to various guidelines, e.g. the Bavarian "Guideline for the Promotion of Investment Costs for Technical Measures for Infection-Protection-Compatible Ventilation in Schools (FILS-R)



Technical data

AMUN 716 CO2 Monitor	
Operating voltage	5 via USB bus voltage V DC
Measuring range CO ₂	0 - 5000 ppm
Type of connection	USB, cable length 1.5 m
Display	6 LEDs

AMUN 716 CO2 Monitor	
Type of protection	IP 20
Protection class	III

Connection example

Subject to technical changes and misprints

additional information at: www.theben.de/product/7169100

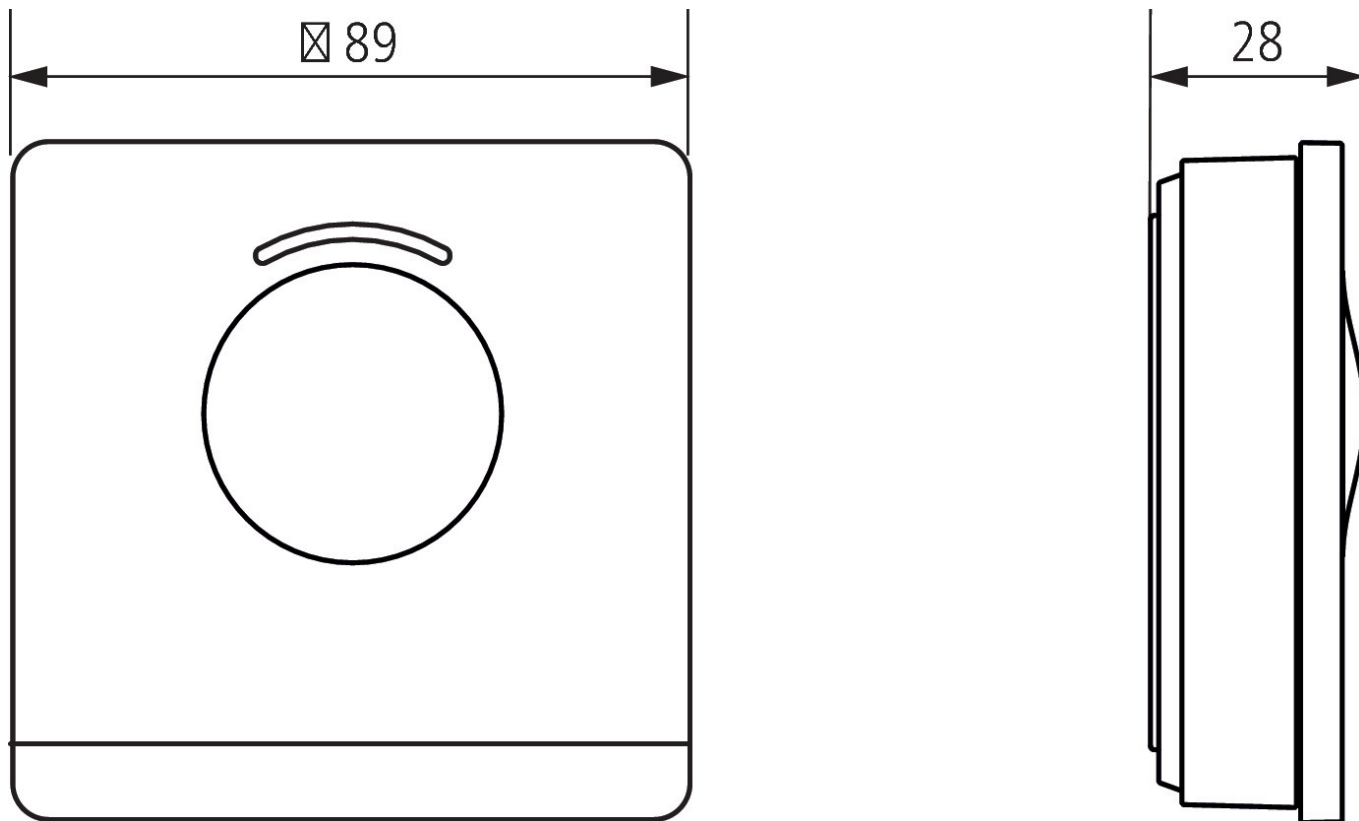
The load data are determined with exemplary selected illuminants and are therefore typical data due to the large number of available products.

AMUN 716 CO2 Monitor

Item no.: 7169100

theben

Scale drawings



Subject to technical changes and misprints

additional information at: www.theben.de/product/7169100

The load data are determined with exemplary selected illuminants and are therefore typical data due to the large number of available products.