

TR 684-1 top2

Item no.: 6840100

Time and light control Digital time switches

Description

- Digital time switch with weekly program
- 1 channel
- Timer module without plug-in base
- Connection by 4.8 mm AMP flat plug for original installation standard devices
- For installation in regulation and control
- Text-based operator guidance in the display
- 56 memory locations
- Interface for OBELISK top2 memory card (PC programming)
- 10 year power reserve (lithium battery)
- ON-OFF switching times
- Switching preselection
- Permanent ON/OFF switching
- Integrated hour counter
- Holiday program
- Back lighting (can be turned off)
- PIN coding
- Automatic summer/winter time changeover



Technical data

TR 684-1 top2	
Operating voltage	230 - 240 V AC
Frequency	50 - 60 Hz
Installation type	Front panel installation/wall installation
Type of contact	Changeover contact
Program	Weekly program
Program functions	ON-OFF
Number of channels	1
Number of memory locations	56
Power reserve	10 years
Switching capacity at 250 V AC, cos φ = 1	6 A
Switching capacity at 250 V AC, cos φ = 0,6	1 A

TR 684-1 top2	
Shortest switching times	1 min
Time accuracy at 25 °C	± 0.5 s/day (quartz) at 25 °C
Time basis	Quartz
Stand-by consumption	~1 W
Type of connection	Flachstecker
Display	LCD
Keyboards	4 touch buttons
Housing and insulation material	High-temperature resistant, self-extinguishing thermoplastic
Type of protection	IP 20
Protection class	II according to EN 60 730-1
Ambient temperature	-10°C ... 55°C

Subject to technical changes and misprints

additional information at: www.theben.de/product/6840100

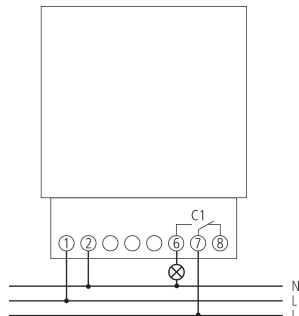
The load data are determined with exemplary selected illuminants and are therefore typical data due to the large number of available products.

TR 684-1 top2

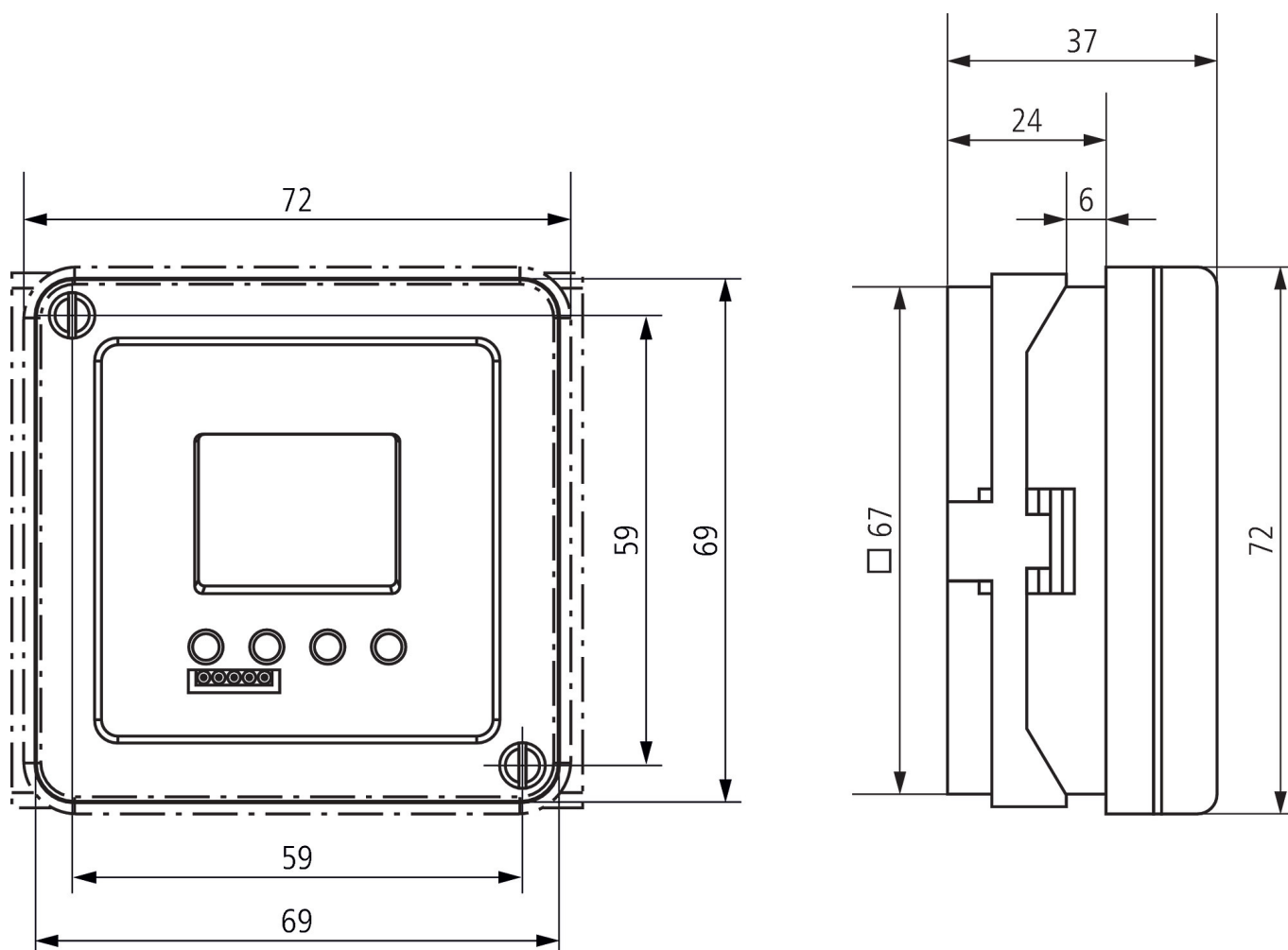
Item no.: 6840100



Connection example



Scale drawings



Subject to technical changes and misprints

additional information at: www.theben.de/product/6840100

The load data are determined with exemplary selected illuminants and are therefore typical data due to the large number of available products.

08/04/2026

Page 2 of 3

TR 684-1 top2

Item no.: 6840100



Accessories

Multiple contact strip

Item no.: 9075141



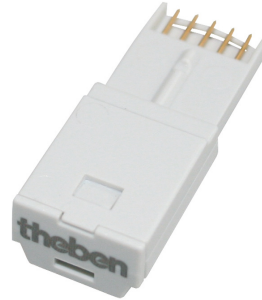
PC set OBELISK top2/3

Item no.: 9070409



Memory card OBELISK top2

Item no.: 9070404



Subject to technical changes and misprints

additional information at: www.theben.de/product/6840100

The load data are determined with exemplary selected illuminants and are therefore typical data due to the large number of available products.

08/04/2026

Page 3 of 3