

TR 636 top2

Item no.: 6360100

Time and light control Digital time switches

Description

- Digital time switch with weekly program
- 2 channels
- Text-based operator guidance in the display
- Preset date and time
- fully operable without mains connection
- 84 memory locations
- Interface for OBELISK top2 memory card (PC programming)
- 2. insertable switching program
- Copying programs
- Storing programs
- 10 year power reserve (lithium battery)
- ON-OFF switching times
- Pulse program
- Cycle program
- Switching preselection
- Permanent ON/OFF switching
- Count-down timer
- Integrated hour counter
- Reset option
- Service function for monitoring maintenance intervals
- Holiday program
- 2 random programs
- Back lighting (can be turned off)
- PIN coding
- Automatic summer/winter time changeover
- can be deactivated
- Date rule options are already stored for Europe, the USA and other countries
- own date rule options or changeover around set dates are available



Technical data

TR 636 top2	
Operating voltage	230 - 240 V AC
Frequency	50 - 60 Hz
Installation type	Front panel installation/wall installation
Type of contact	Changeover contact
Switching output	Phase-independent
Opening width	< 3 mm (μ)
Program	Weekly program
Program functions	ON-OFF, Pulse, Cycle
Number of channels	2

TR 636 top2	
Number of memory locations	84
Power reserve	10 years
Switching capacity at 250 V AC, $\cos \varphi = 1$	6 A
Switching capacity at 250 V AC, $\cos \varphi = 0,6$	6 A
Incandescent/halogen lamp load	1200 W
Energy saving lamps	90 W
LED lamp < 2 W	20 W
LED lamp 2-8 W	50 W

Subject to technical changes and misprints

additional information at: www.theben.de/product/6360100

The load data are determined with exemplary selected illuminants and are therefore typical data due to the large number of available products.

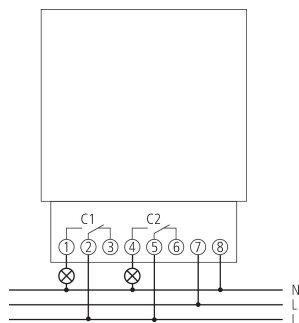
TR 636 top2

Item no.: 6360100

Technical data

TR 636 top2		TR 636 top2	
Fluorescent lamp load (conventional) not corrected	1000 VA	Memory card supplied	-
Fluorescent lamp load (conventional) series-corrected	1000 VA	Type of connection	Screw terminals
Fluorescent lamp load (conventional) parallel-corrected	400 VA 42 μ F	Display	LCD
Shortest switching times	1 s	Keyboards	4 touch buttons, 1 reset button
Time accuracy at 25 °C	$\leq \pm 0.5$ s/day (quartz) at 25 °C	Housing and insulation material	High-temperature resistant, self-extinguishing thermoplastic
Time basis	Quartz	Type of protection	IP 20
Stand-by consumption	~ 1.1 W	Protection class	II according to EN 60 730-1
		Ambient temperature	-30°C ... 55°C

Connection example



Subject to technical changes and misprints

additional information at: www.theben.de/product/6360100

The load data are determined with exemplary selected illuminants and are therefore typical data due to the large number of available products.

08/04/2026

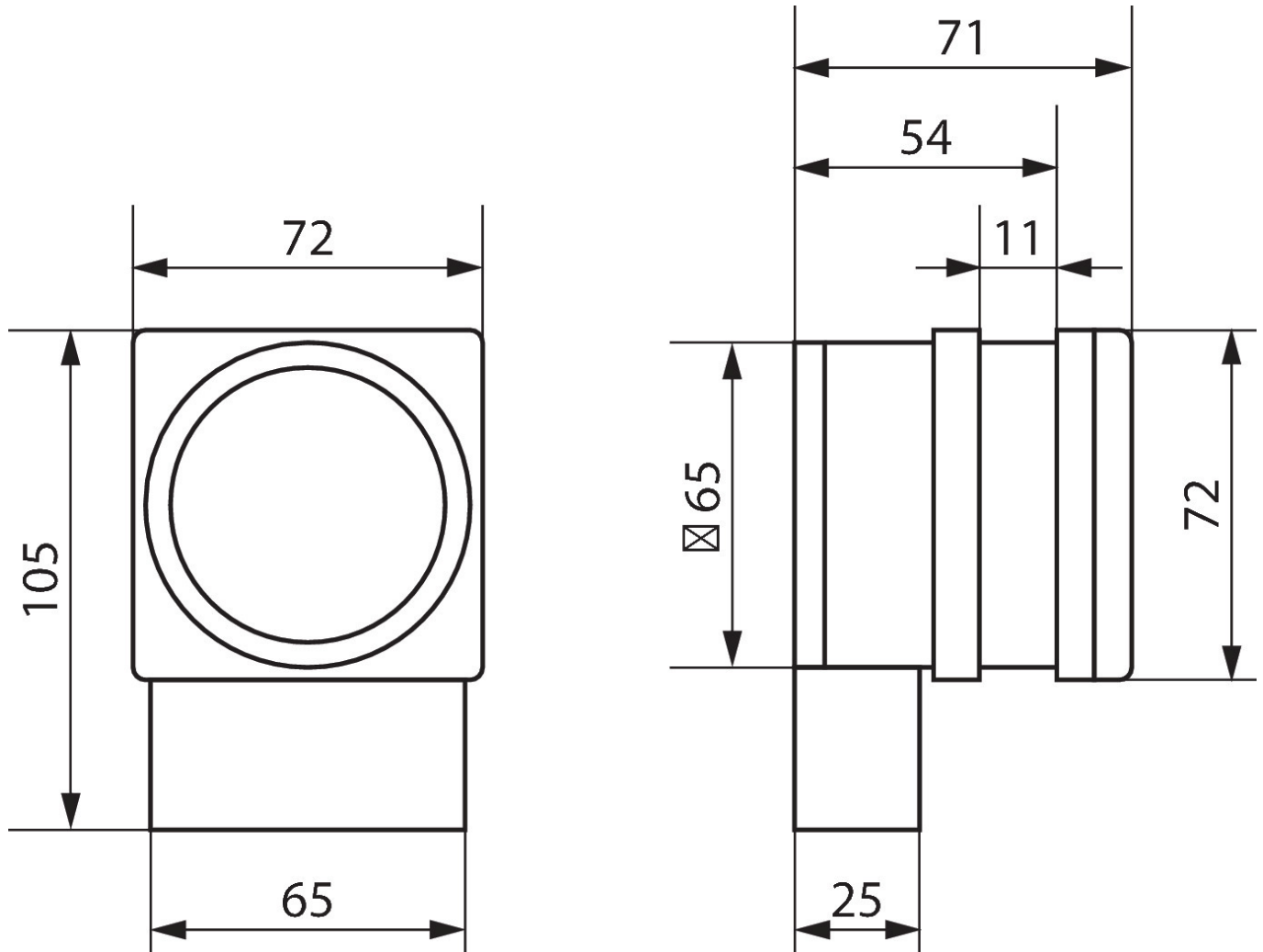
Page 2 of 3

TR 636 top2

Item no.: 6360100



Scale drawings



Accessories

Snap-on mounting 72 x 72
Item no.: 9070071



PC set OBELISK top2/3
Item no.: 9070409



Memory card OBELISK top2
Item no.: 9070404



Subject to technical changes and misprints

additional information at: www.theben.de/product/6360100

The load data are determined with exemplary selected illuminants and are therefore typical data due to the large number of available products.