

DIMAX 542 plus S

Item no.: 5420130

theben

Time and light control Dimmer

Description

- Universal dimmer for R, L and C loads with automatic load detection
- Push button operation, setting via potentiometer
- Adjustable minimum brightness for LEDs
- The universal dimmer is equipped with a "gentle" lamp-conserving function for switching on and off, automatic detection of the load type, overheating protection against overload as well as short-circuit protection
- Optimised settings for LEDs, incandescent lamps
- Easy installation thanks to a highly compact housing
- Ideal for all dimmable LEDs and halogen lamps
- Memory function saves the most recently set light level value and then dims to this value the next time it is switched on
- Convenient snooze function

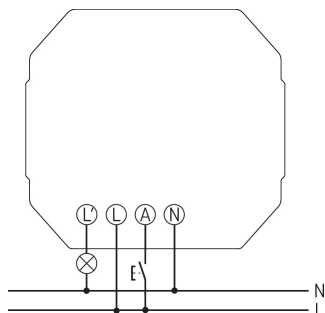


Technical data

DIMAX 542 plus S	
Operating voltage	230 V AC
Frequency	50 - 60 Hz
Installation type	Flush-mounted
Stand-by consumption	~0.15 W
Incandescent/halogen lamp load	250 W

DIMAX 542 plus S	
Transformer electronic (C)	250 W
Setting	Poti
Load detection	✓
Ambient temperature	-25°C ... 45°C

Connection example



Subject to technical changes and misprints

additional information at: www.theben.de/product/5420130

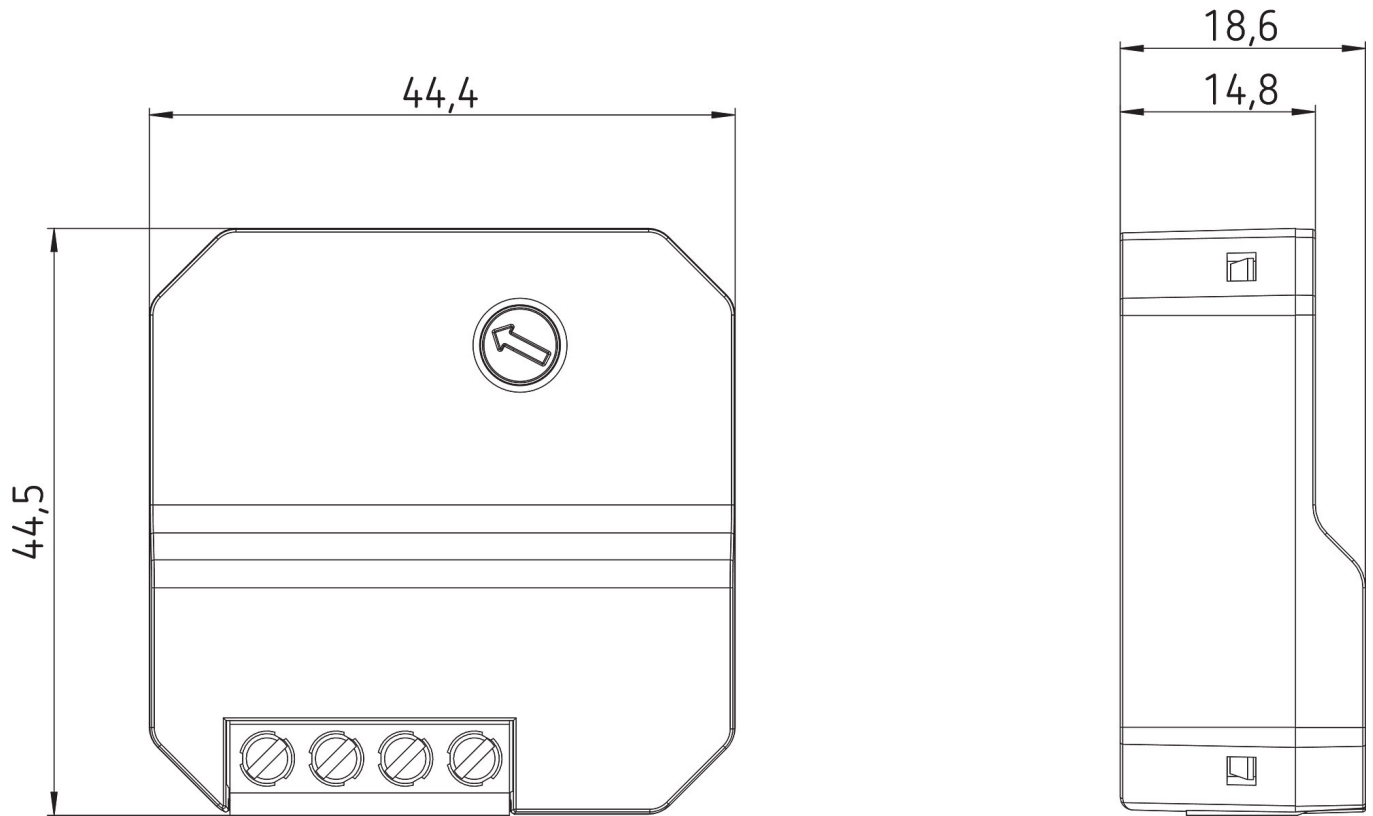
The load data are determined with exemplary selected illuminants and are therefore typical data due to the large number of available products.

DIMAX 542 plus S

Item no.: 5420130

theben

Scale drawings



Accessories

Compensation module LED

Item no.: 9070825



Subject to technical changes and misprints

additional information at: www.theben.de/product/5420130

The load data are determined with exemplary selected illuminants and are therefore typical data due to the large number of available products.

30/03/2026

Page 2 of 2