

TU 4 S RF KNX

Item no.: 4961614



KNX
Binary inputs

Description

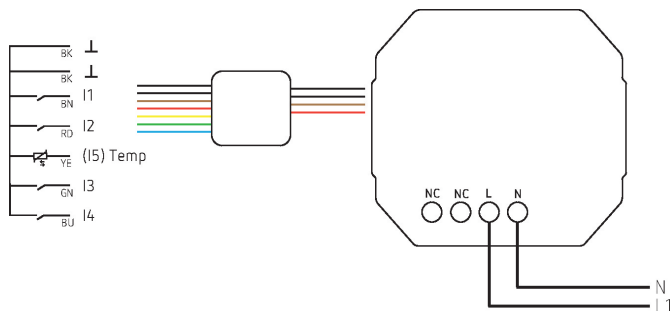
- 4-way flush-mounted wireless push-button interface
- Secure communication via with support of KNX Data Secure
- 4 binary inputs for potential-free buttons and signaling contacts
- 1 additional input for temperature sensor
- Free assignment of the functions switching, dimming, blinds, temperature measurement and transmission
- Easy installation due to the compact housing
- Can be used with 4-way push-button module (9070806)

Technical data

TU 4 S RF KNX	
Operating voltage KNX	Bus voltage
Operating voltage	230 V AC - 240 V AC, 50 Hz - 60 Hz
Frequency	50 - 60 Hz
Installation type	Flush-mounted

TU 4 S RF KNX	
Ambient temperature	-5°C ... 45°C
Protection class	II
Predecessor	4941604, TU 4 RF KNX

Connection example



Subject to technical changes and misprints

additional information at: www.theben.de/product/4961614

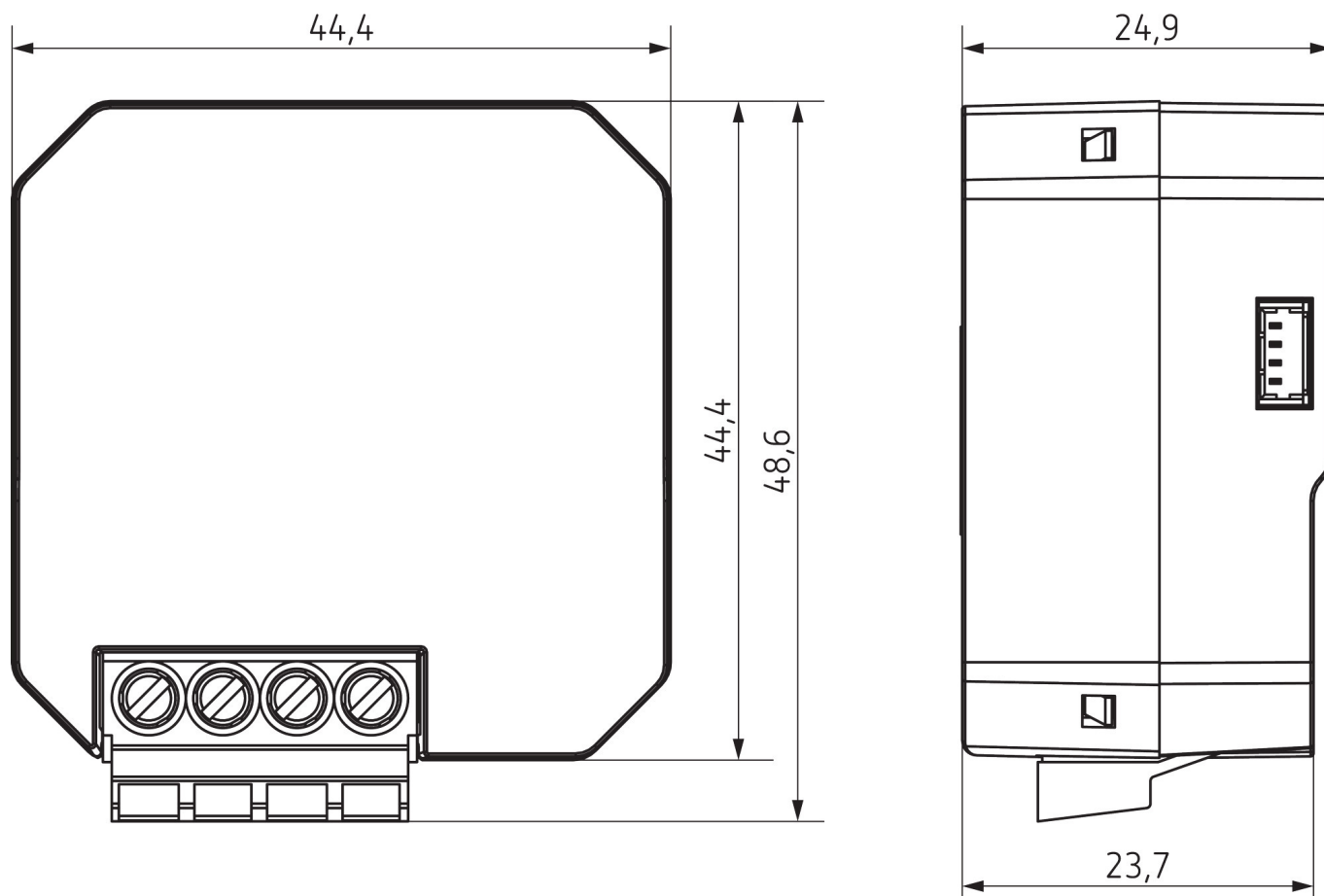
The load data are determined with exemplary selected illuminants and are therefore typical data due to the large number of available products.

TU 4 S RF KNX

Item no.: 4961614

theben

Scale drawings



Accessories

Flush-mounted temperature sensor
Item no.: 9070496



4-way push button module
Item no.: 9070806



Subject to technical changes and misprints

additional information at: www.theben.de/product/4961614

The load data are determined with exemplary selected illuminants and are therefore typical data due to the large number of available products.