

LIGA.AIR.DALI.Theben

Item no.: 4960080



DALI
DALI gateways and actuators

Description

- Smallest DALI module for 100-240 V AC, up to 50 DALI devices
- Lowest power consumption, max. 3 watts
- Easy to put into operation via CASAMBI
- Control via the free Casambi app
- Input voltage range from 100-240 V AC
- DALI-BUS output up to max. 100 mA
- ABS housing
- The compact design of the housing enables easy installation in a flush-mounted box or in a cable duct
- Compatible with the following DALI-2 sensors: theRonda S360 DALI-2 S (2080590), theRonda P360 DALI-2 S (2080090), thePassa P360 DALI-2 S (2010390) and PlanoSpot 360 DALI-2 S (2030190)

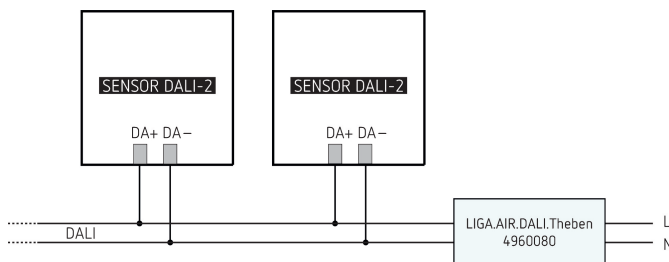


Technical data

| LIGA.AIR.DALI.Theben | |
|----------------------|----------------|
| Operating voltage | 100 - 240 V AC |
| Frequency | 50 - 60 Hz |
| Stand-by consumption | max. 3 W |
| Remote controlled | ✓ |

| LIGA.AIR.DALI.Theben | |
|----------------------|----------------|
| Ambient temperature | -20°C ... 50°C |
| Protection class | II |
| Type of protection | IP 64 |

Connection example



Subject to technical changes and misprints

additional information at: www.theben.de/product/4960080

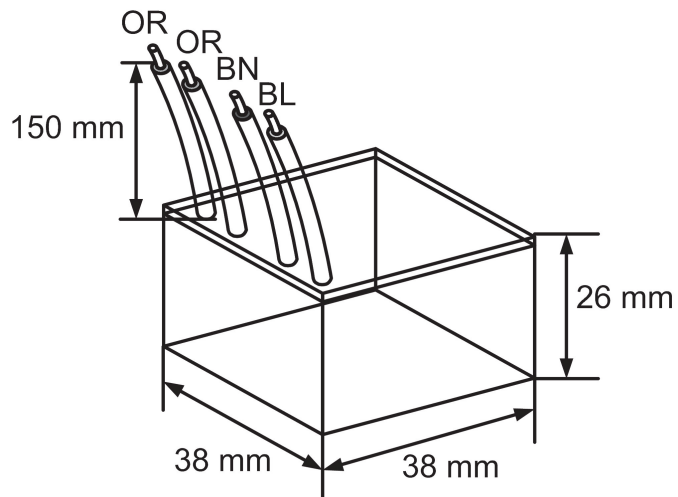
The load data are determined with exemplary selected illuminants and are therefore typical data due to the large number of available products.

LIGA.AIR.DALI.Theben

Item no.: 4960080



Scale drawings



Subject to technical changes and misprints

additional information at: www.theben.de/product/4960080

The load data are determined with exemplary selected illuminants and are therefore typical data due to the large number of available products.

05/02/2026

Page 2 of 2