

# EU 1 S RF KNX

Item no.: 4941642

KNX  
HVAC controller

## Description

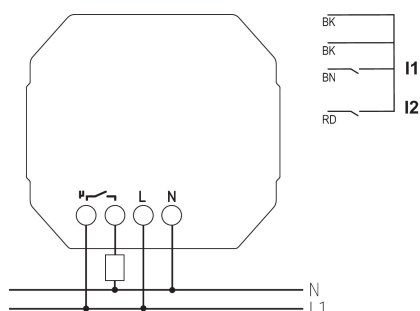
- 1-way flush-mounted wireless actuator for electric heating 10 A, KNX RF, Data Secure
- Easy installation due to the compact housing
- Secure communication via with support of „KNX Data Secure“
- For direct connection of electric heating with high switching capacity
- Integrated temperature controller can also be configured as an additional heater
- Additional stage function for simple control of a second heat generator
- 2 binary inputs for floating contacts such as buttons, switches, temperature sensor (I2)
- Integrated temperature monitoring for increased operating safety, e.g. in the event of overload
- The binary inputs are assigned to the dimming output as standard (function test before programming)

## Technical data

EU 1 S RF KNX	
Operating voltage KNX	Bus voltage, <4 mA
Operating voltage	230 V AC - 240 V AC, 50 Hz - 60 Hz
Frequency	50 - 60 Hz
Stand-by consumption	<0.45 W
Installation type	Flush-mounted

EU 1 S RF KNX	
Number of channels	1
Type of contact	10 A
Ambient temperature	-5°C ... 45°C

## Connection example



Subject to technical changes and misprints

additional information at: [www.theben.de/product/4941642](http://www.theben.de/product/4941642)

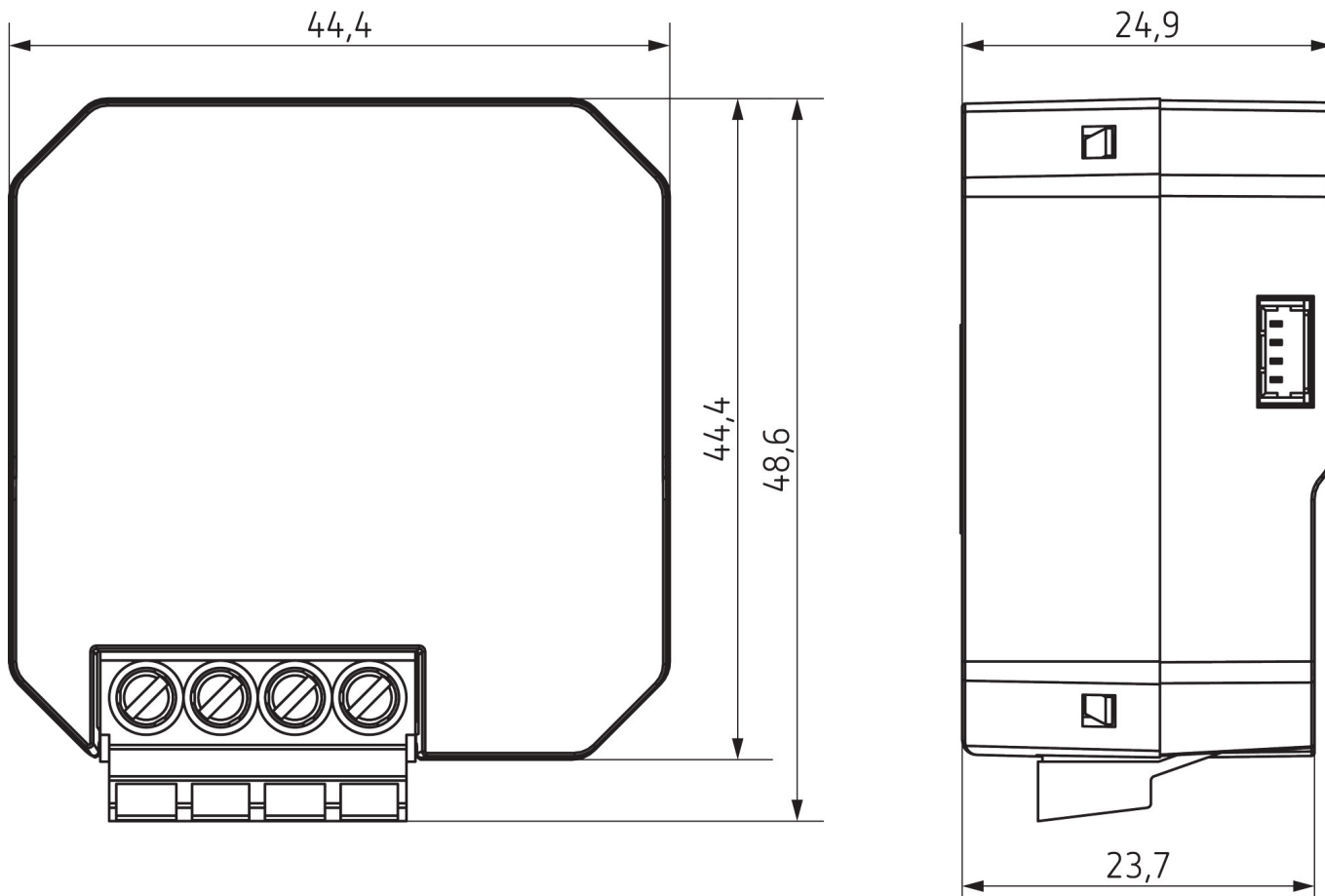
The load data are determined with exemplary selected illuminants and are therefore typical data due to the large number of available products.

# EU 1 S RF KNX

Item no.: 4941642

**theben**

## Scale drawings



## Accessories

Temperature sensor  
Item no.: 9070321



Temperature sensor RAMSES IP  
65  
Item no.: 9070459



Flush-mounted temperature  
sensor  
Item no.: 9070496



Subject to technical changes and misprints

additional information at: [www.theben.de/product/4941642](http://www.theben.de/product/4941642)

The load data are determined with exemplary selected illuminants and are therefore typical data due to the large number of available products.