

LUXORliving T4 S RF

Item no.: 4800614

theben

Smart Home
Binary inputs

Description

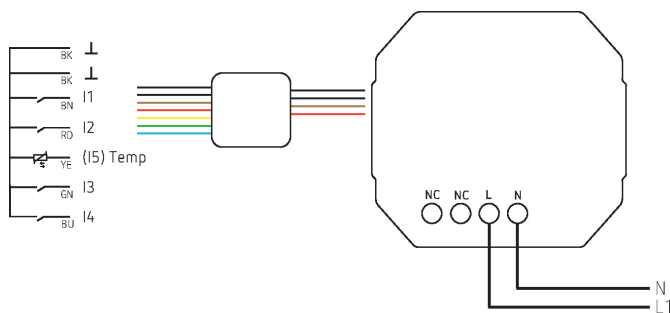
- 4-way flush-mounted wireless push-button interface
- Secure communication via with support of „KNX Data Secure“
- 4 binary inputs for potential-free buttons and signaling contacts
- 1 additional input for temperature sensor
- Free assignment of the functions switching, dimming, blinds, temperature measurement and transmission
- Easy installation due to the compact housing
- Can be used with 4-way push-button module
- Download of the installation software LUXORplug at <https://luxorliving.de/luxorplug>

Technical data

LUXORliving T4 S RF	
Operating voltage	230 V AC - 240 V AC, 50 Hz - 60 Hz
Frequency	50 - 60 Hz
Stand-by consumption	<0.4 W
Installation type	Flush-mounted

LUXORliving T4 S RF	
Ambient temperature	-5°C ... 45°C
Protection class	II
Predecessor	4800604, LUXORliving T4 RF

Connection example



Subject to technical changes and misprints

additional information at: www.theben.de/product/4800614

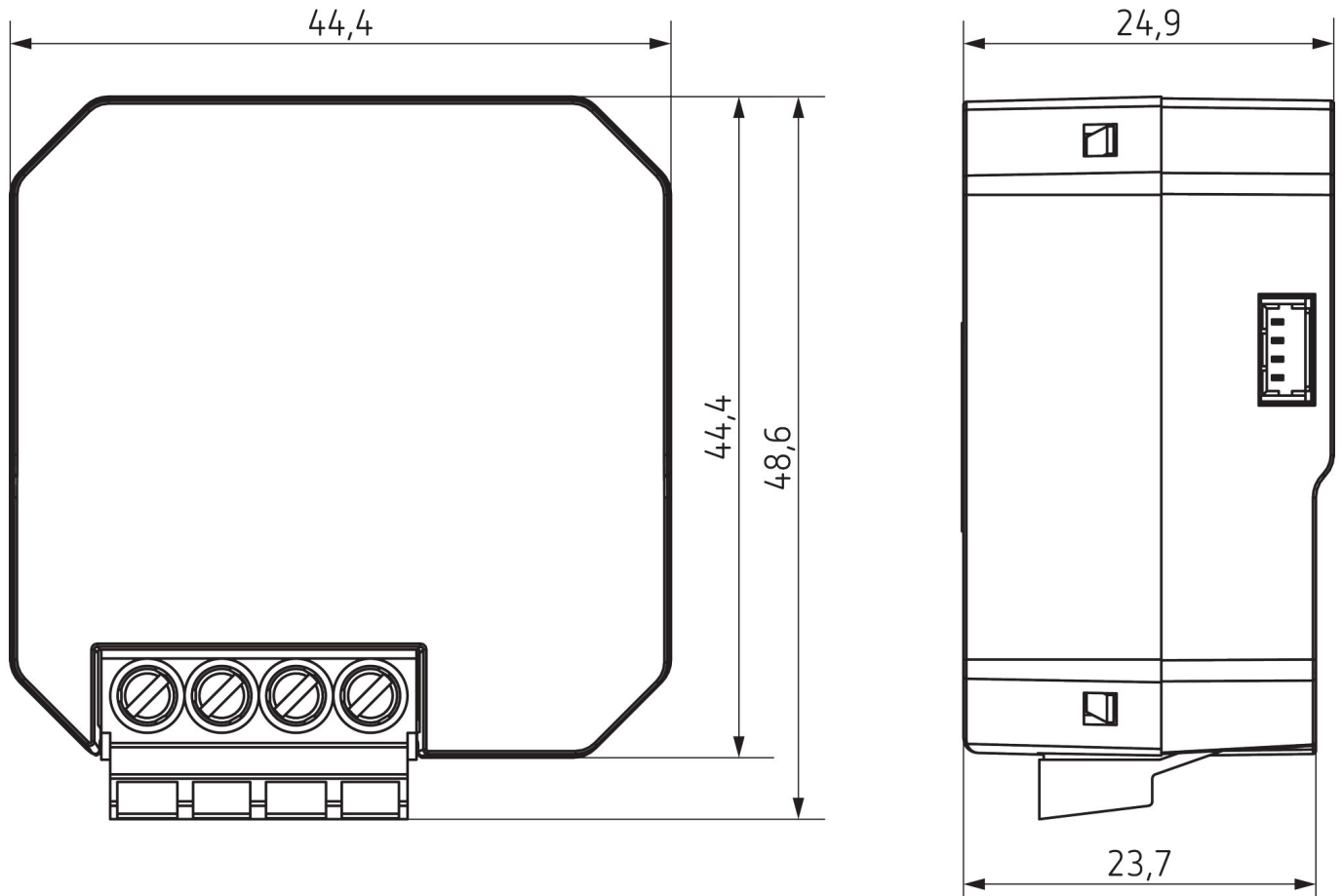
The load data are determined with exemplary selected illuminants and are therefore typical data due to the large number of available products.

LUXORliving T4 S RF

Item no.: 4800614

theben

Scale drawings

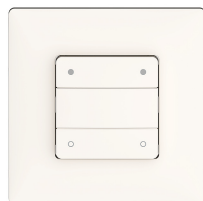


Accessories

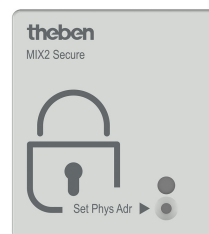
Flush-mounted temperature sensor
Item no.: 9070496



4-way push button module
Item no.: 9070806



Bus module MIX2 Secure
Item no.: 9070084



Subject to technical changes and misprints

additional information at: www.theben.de/product/4800614

The load data are determined with exemplary selected illuminants and are therefore typical data due to the large number of available products.