

# LUXORliving M140 24V

Item no.: 4800493

**theben**

Smart Home  
Weather sensors

## Description

- Self contained outdoor weather station LUXORliving
- For measuring wind, rain, brightness and temperature
- Rain sensor with integrated heating
- For fully automatic blinds and sun protection control
- Measurement and evaluation directly on device
- Sun protection for up to 4 facades via 3 integrated brightness sensors
- Display of weather data e.g. with LUXORliving-App „LUXORplay“
- Download of the installation software LUXORplug at <https://luxorliving.de/luxorplug>

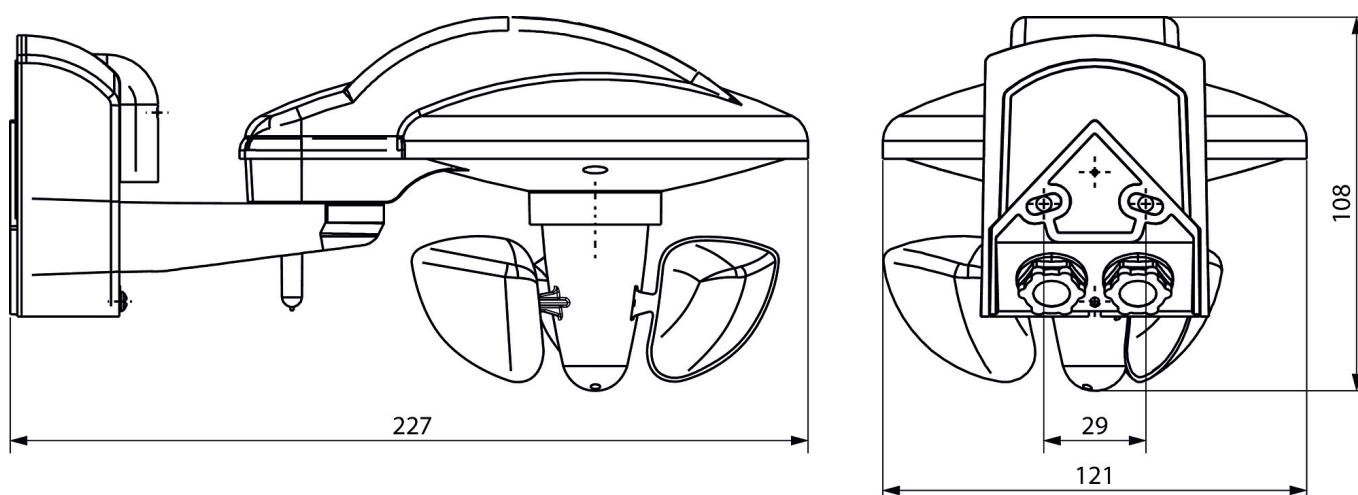


## Technical data

LUXORliving M140 24V	
Operating voltage	15 - 34 V DC
Operating voltage KNX	Busspannung, ≤10 mA
Stand-by consumption	<
Installation type	Wall installation
Setting range temperature	-30°C ... 60°C

LUXORliving M140 24V	
Ambient temperature	-20°C ... 55°C
Type of protection	IP 44
Protection class	III

## Scale drawings



Subject to technical changes and misprints

additional information at: [www.theben.de/product/4800493](http://www.theben.de/product/4800493)

The load data are determined with exemplary selected illuminants and are therefore typical data due to the large number of available products.

19/05/2026  
Page 1 of 1