

LUXORliving M100

Item no.: 4800491

theben

Smart Home
Weather sensors

Description

- Weather sensor for use with the weather station LUXORliving M130
- Forwarding of the measured values to up to 20 weather stations LUXORliving M130
- For measuring wind, rain, temperature and brightness (3 directions)
- Rain sensor with integrated heating
- Download of the installation software LUXORplug at <https://luxorliving.de/luxorplug>

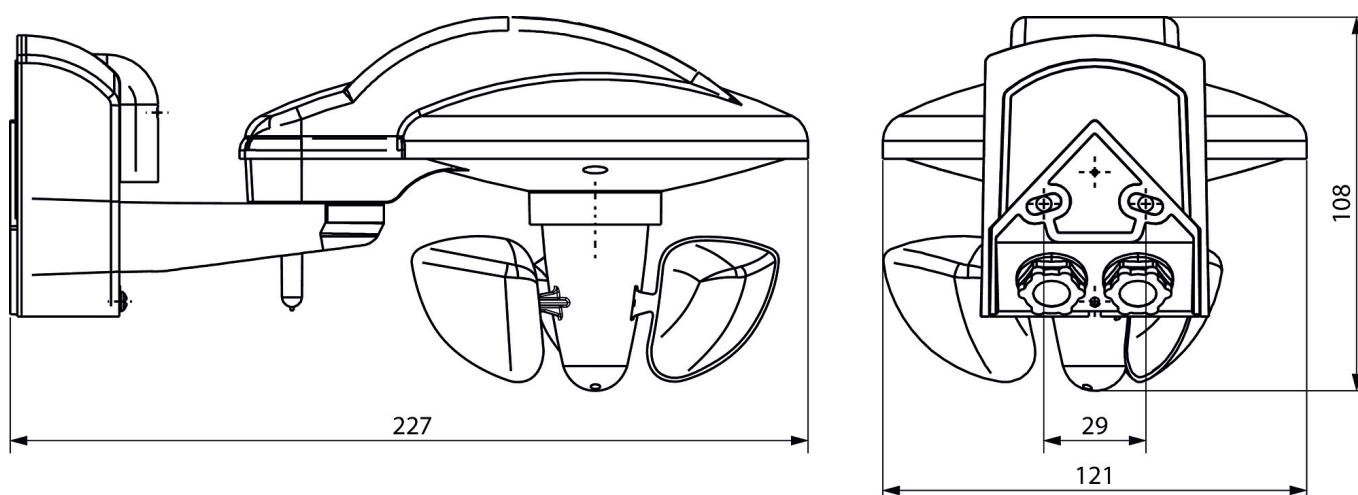


Technical data

LUXORliving M100	
Operating voltage	110 - 230 V AC
Frequency	50 - 60 Hz
Operating voltage KNX	Bus voltage, ≤10 mA
Stand-by consumption	<5.5 W
Setting range temperature	-30°C ... 60°C

LUXORliving M100	
Measuring range wind speed	2 - 30 m/s
Ambient temperature	-20°C ... 55°C
Type of protection	IP 44
Protection class	II

Scale drawings



Subject to technical changes and misprints

additional information at: www.theben.de/product/4800491

The load data are determined with exemplary selected illuminants and are therefore typical data due to the large number of available products.

19/05/2026
Page 1 of 2

LUXORliving M100

Item no.: 4800491

theben

Accessories

Mast mounting S

Item no.: 9070928



Subject to technical changes and misprints

additional information at: www.theben.de/product/4800491

The load data are determined with exemplary selected illuminants and are therefore typical data due to the large number of available products.

19/05/2026

Page 2 of 2