

LUXORliving SMARTstart

Item no.: 4800000

theben

Smart Home
System devices and sets

Description

- Control center for LUXORliving Smart Start and room controller for 30 functions
- WLAN interface for communication with LUXORplug commissioning software and LUXORplay operating app
- KNX-RF interface for controlling the LUXORliving wireless actuators or push-button actuator modules
- The KNX wireless system LUXORliving Smart Start requires no system devices such as media couplers or power supply in the distributor and, above all, no ETS
- Up to 30 wireless actuators or push-button actuator modules can be integrated
- Available functions: Switching, dimming (also DALI), blind control, room climate control
- Integrated timer with astro function
- Encrypted communication in the system (KNX Data Secure)
- Download of the installation software LUXORplug at <https://luxorliving.de/luxorplug>

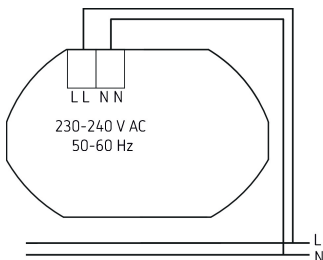


Technical data

LUXORliving SMARTstart	
Operating voltage	230 - 240 V AC
Stand-by consumption	<

LUXORliving SMARTstart	
Installation type	Flush-mounted wall installation
Type of protection	IP 40

Connection example



Subject to technical changes and misprints

additional information at: www.theben.de/product/4800000

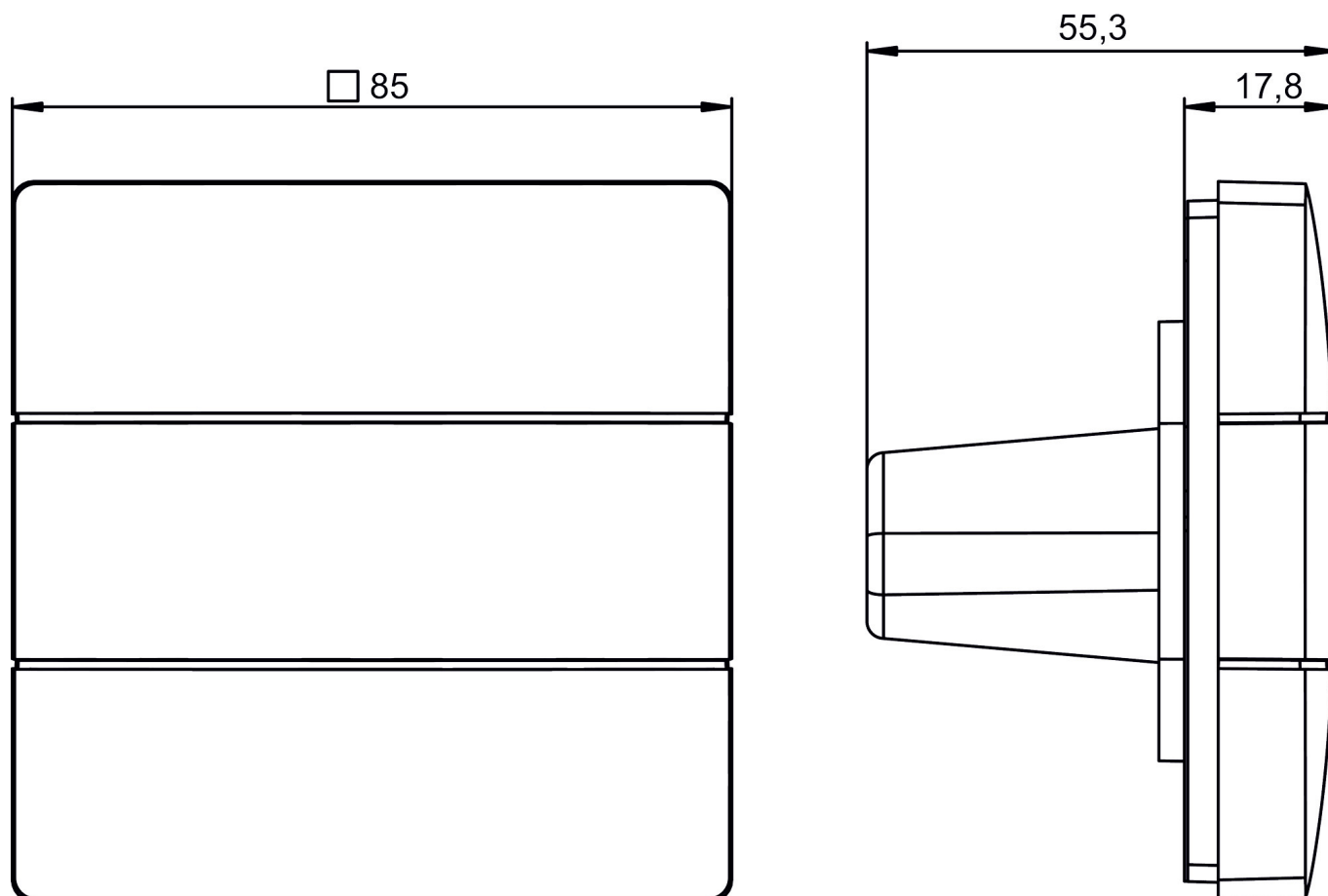
The load data are determined with exemplary selected illuminants and are therefore typical data due to the large number of available products.

LUXORliving SMARTstart

Item no.: 4800000

theben

Scale drawings



Subject to technical changes and misprints

additional information at: www.theben.de/product/4800000

The load data are determined with exemplary selected illuminants and are therefore typical data due to the large number of available products.

26/05/2026

Page 2 of 2