

theRonda S360 KNX FLAT DE WH

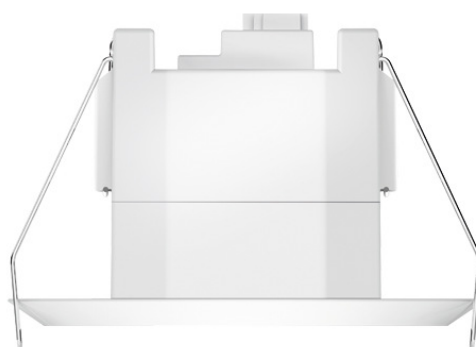
Item no.: 2089560

theben

Presence and motion detectors Ceiling installation indoor

Description

- Passive infra-red presence detector KNX for ceiling installation
- Circular detection area 360°, Ø 8 m, (50 m²) at mounting height 3 m
- 2 channels light and 2 channels presence
- Mixed light measurement
- 2 light channels C1, C2
- Switching operation or constant light control with standby function (orientation light)
- Switching mode with dimmable lighting
- Choice of fully or semi-automatic
- Brightness switching value or set point value can be set in lux by using parameters, the object or via remote control
- Teach-in of the brightness switching value or the set point value
- Reduction of time delay when present briefly (short-term presence)
- Manual override by telegram or remote control
- 2 presence channels C4, C5, individually configurable
- Switch-on delay and time delay configurable
- Setting the room correction factor for brightness measurement comparison
- Adjustable sensitivity
- Test mode for checking function and detection area
- Scenes
- Parallel switching of multiple presence detectors (Master/Slave or Master/Master)
- User remote control «theSenda S» (option)
- Management remote control «SendoPro 868-A» (option)
- Installation remote control «theSenda P» (option)



Technical data

theRonda S360 KNX FLAT DE WH	
Installation height	2 - 4 m
Minimum height	1.7 m
Detection angle	360°
Type of connection	KNX bus terminal
Installation type	Ceiling mounting
Light switch-off delay	30 s - 60 min
Lamp types	Energy saving lamps, fluorescent lamps, Incandescent/halogen lamps, LEDs

theRonda S360 KNX FLAT DE WH	
Light measurement	Mixed light measurement
Presence switch-off delay	10 s - 120 min
Switch-on delay presence	10 s - 30 min / inactive
Ambient temperature	-15°C ... 50°C
Detection range	50 m² (Ø 8 m)
Colour	White
Type of protection	IP 54 (when fitted)

Subject to technical changes and misprints

additional information at: www.theben.de/product/2089560

The load data are determined with exemplary selected illuminants and are therefore typical data due to the large number of available products.

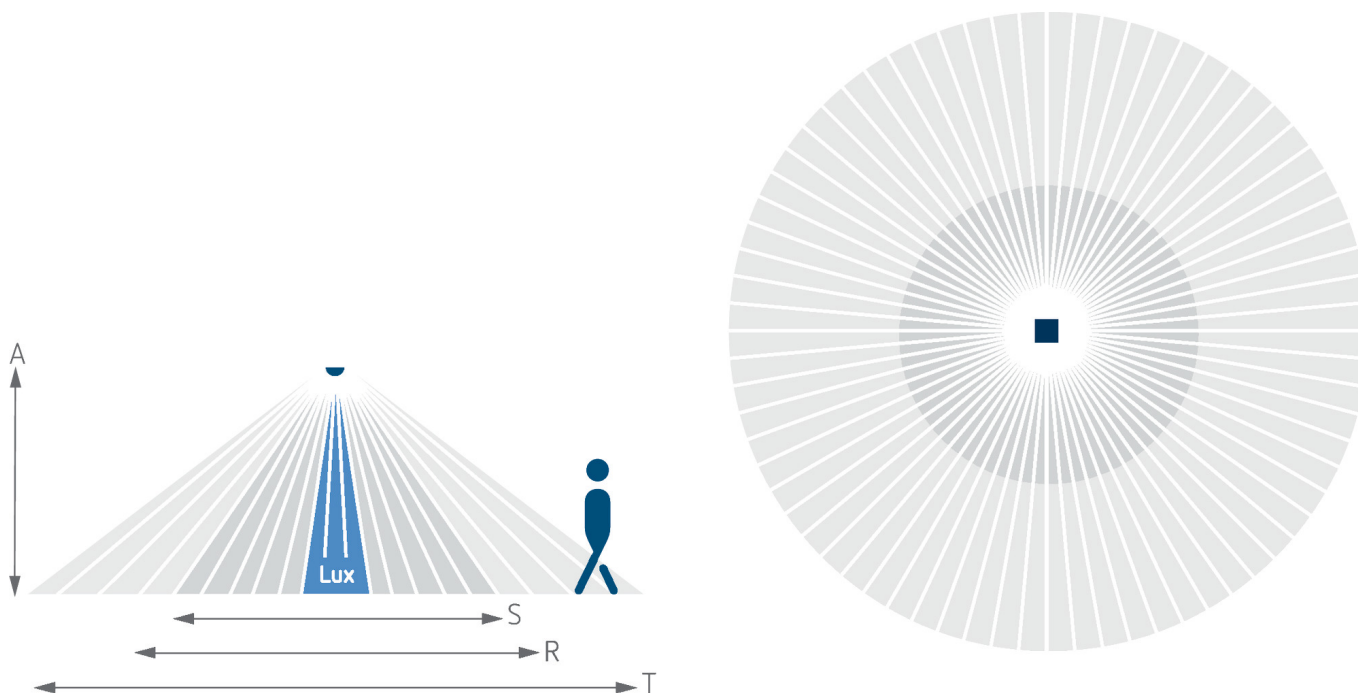
theRonda S360 KNX FLAT DE WH

Item no.: 2089560



Detection range for planning applications at a temperature of 21 °C

Mounting height (A)	Sitting (S)	Diagonally (T)	Head on to (R)
2 m	5 m ² 2.5 m	38 m ² 7 m	5 m ² 2.5 m
2.5 m	7 m ² 3 m	38 m ² 7 m	7 m ² 3 m
3 m	13 m ² 4 m	50 m ² 8 m	13 m ² 4 m
3.5 m	13 m ² 4 m	50 m ² 8 m	13 m ² 4 m
4 m	13 m ² 4 m	64 m ² 9 m	13 m ²



Detection range according to Sensnorm IEC 63180

Mounting height (A)	Diagonally (T)	Head on to (R)	Sitting (S)
2.5 m	39 m ² 7 m	28 m ² 6 m	24 m ² 5.5 m
4 m	85 m ² 10.4 m	79 m ² 10 m	

Subject to technical changes and misprints

additional information at: www.theben.de/product/2089560

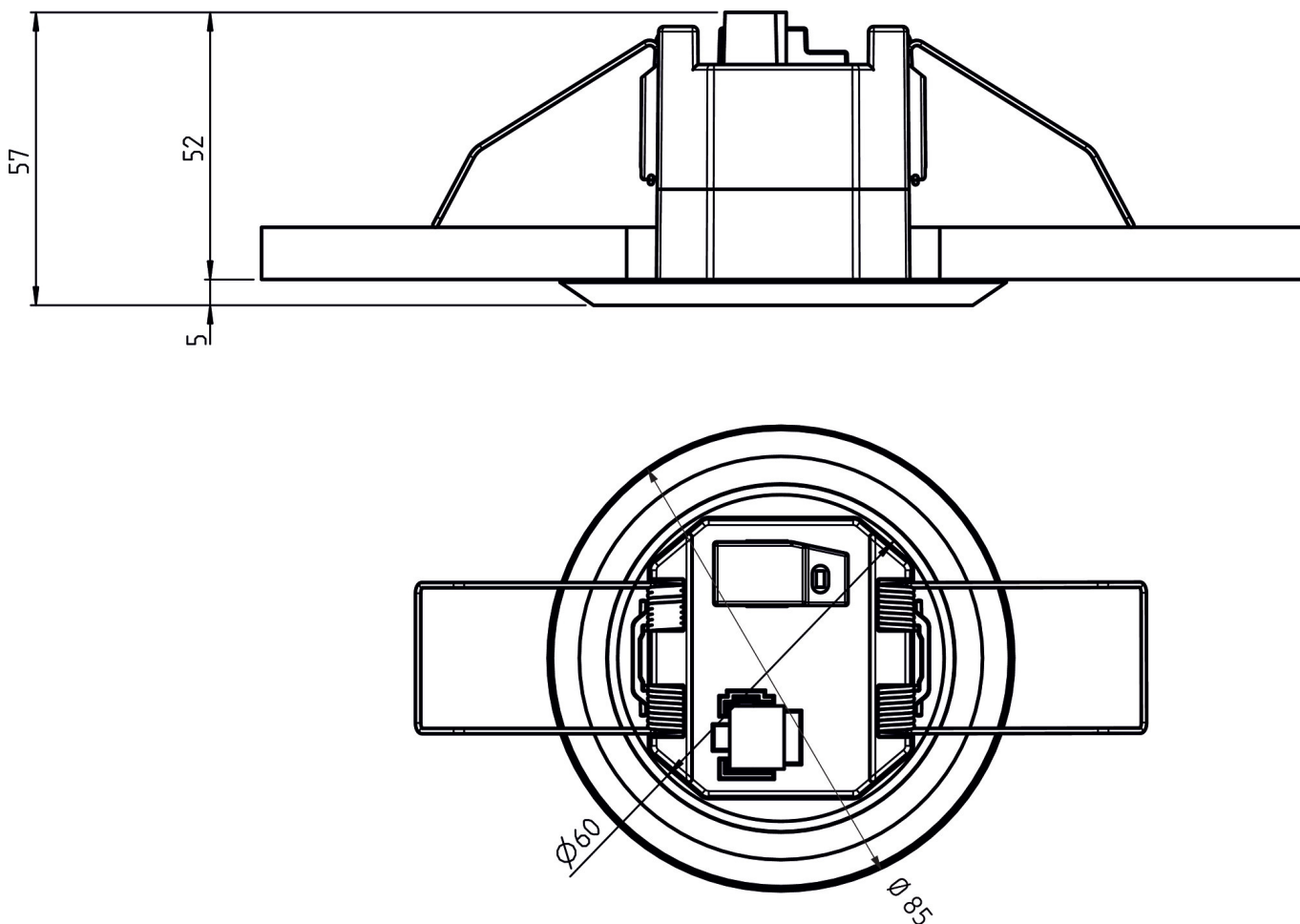
The load data are determined with exemplary selected illuminants and are therefore typical data due to the large number of available products.

theRonda S360 KNX FLAT DE WH

Item no.: 2089560



Scale drawings



Accessories

theSenda P
Item no.: 9070910



theSenda S
Item no.: 9070911



theSenda B
Item no.: 9070985



Cover FLAT 85 GR
Item no.: 9070597



Subject to technical changes and misprints

additional information at: www.theben.de/product/2089560

The load data are determined with exemplary selected illuminants and are therefore typical data due to the large number of available products.

theRonda S360 KNX FLAT DE WH

Item no.: 2089560

theben

Accessories

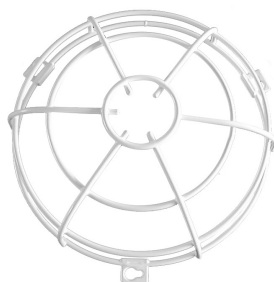
Cover FLAT 85 BK

Item no.: 9070853



QuickSafe

Item no.: 9070531



Subject to technical changes and misprints

additional information at: www.theben.de/product/2089560

The load data are determined with exemplary selected illuminants and are therefore typical data due to the large number of available products.

30/04/2026

Page 4 of 4