

# theRonda S360 KNX AP GR

Item no.: 2089551

**theben**

Presence and motion detectors  
Ceiling installation indoor

## Description

- Passive infra-red presence detector KNX for ceiling installation
- Circular detection area 360°, Ø 8 m, (50 m²) at mounting height 3 m
- 2 channels light and 2 channels presence
- Mixed light measurement
- 2 light channels C1, C2
- Switching operation or constant light control with standby function (orientation light)
- Switching mode with dimmable lighting
- Choice of fully or semi-automatic
- Brightness switching value or set point value can be set in lux by using parameters, the object or via remote control
- Teach-in of the brightness switching value or the set point value
- Reduction of time delay when present briefly (short-term presence)
- Manual override by telegram or remote control
- 2 presence channels C4, C5, individually configurable
- Switch-on delay and time delay configurable
- Setting the room correction factor for brightness measurement comparison
- Adjustable sensitivity
- Test mode for checking function and detection area
- Scenes
- Parallel switching of multiple presence detectors (Master/Slave or Master/Master)
- User remote control «theSenda S» (option)
- Management remote control «SendoPro 868-A» (option)
- Installation remote control «theSenda P» (option)



## Technical data

theRonda S360 KNX AP GR	
Installation height	2 - 4 m
Minimum height	1.7 m

theRonda S360 KNX AP GR	
Detection angle	360°
Type of connection	KNX bus terminal

Subject to technical changes and misprints

additional information at: [www.theben.de/product/2089551](http://www.theben.de/product/2089551)

The load data are determined with exemplary selected illuminants and are therefore typical data due to the large number of available products.

# theRonda S360 KNX AP GR

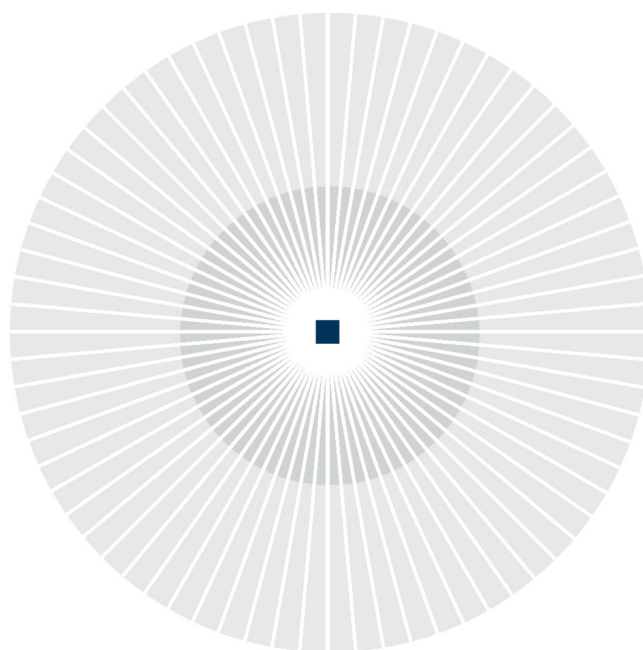
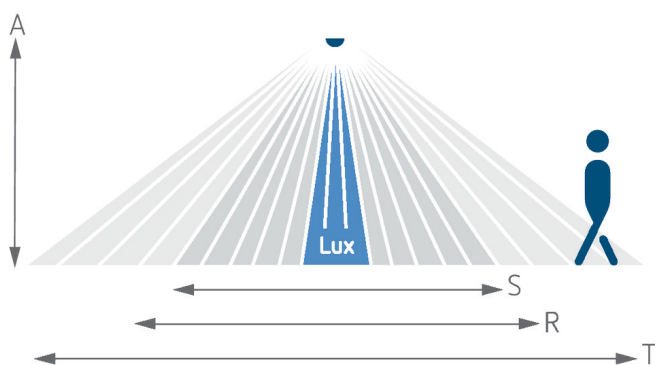
Item no.: 2089551

## Technical data

theRonda S360 KNX AP GR		theRonda S360 KNX AP GR	
Installation type	Ceiling installation, Surface mounted	Presence switch-off delay	10 s - 120 min
Light switch-off delay	30 s - 60 min	Switch-on delay presence	10 s - 30 min / inactive
Lamp types	Energy saving lamps, fluorescent lamps, Incandescent/halogen lamps, LEDs	Ambient temperature	-15°C ... 50°C
Light measurement	Mixed light measurement	Detection range	50 m <sup>2</sup> (ø 8 m)
		Colour	Grey
		Type of protection	IP 54

## Detection range for planning applications at a temperature of 21 °C

Mounting height (A)	Sitting (S)	Diagonally (T)	Head on to (R)
2 m	5 m <sup>2</sup>   2.5 m	38 m <sup>2</sup>   7 m	5 m <sup>2</sup>   2.5 m
2.5 m	7 m <sup>2</sup>   3 m	38 m <sup>2</sup>   7 m	7 m <sup>2</sup>   3 m
3 m	13 m <sup>2</sup>   4 m	50 m <sup>2</sup>   8 m	13 m <sup>2</sup>   4 m
3.5 m	13 m <sup>2</sup>   4 m	50 m <sup>2</sup>   8 m	13 m <sup>2</sup>   4 m
4 m	13 m <sup>2</sup>   4 m	64 m <sup>2</sup>   9 m	13 m <sup>2</sup>   4 m



Subject to technical changes and misprints

additional information at: [www.theben.de/product/2089551](http://www.theben.de/product/2089551)

The load data are determined with exemplary selected illuminants and are therefore typical data due to the large number of available products.

30/04/2026

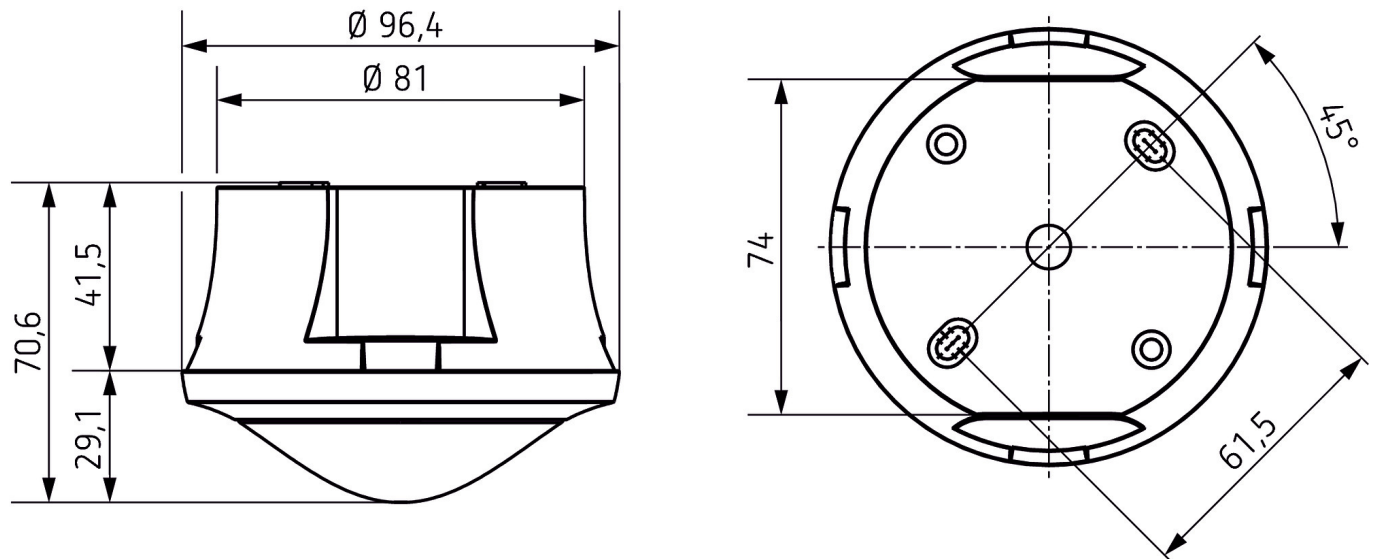
Page 2 of 3

# theRonda S360 KNX AP GR

Item no.: 2089551



## Scale drawings



## Accessories

**theSenda P**  
Item no.: 9070910



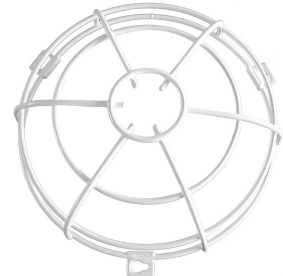
**theSenda S**  
Item no.: 9070911



**theSenda B**  
Item no.: 9070985



**QuickSafe**  
Item no.: 9070531



Subject to technical changes and misprints

additional information at: [www.theben.de/product/2089551](http://www.theben.de/product/2089551)

The load data are determined with exemplary selected illuminants and are therefore typical data due to the large number of available products.