

theRonda P360 KNX UP WH

Item no.: 2089000

theben

Presence and motion detectors
Ceiling installation indoor

Description

- Passive infra-red presence detector KNX for flush-mounted ceiling installation
- Circular detection area 360°, Ø 24 m, (452 m²) at mounting height 3 m
- 2 channels light and 2 channels presence
- 2 channel light C1, C2 with 1 light measurement
- 2 presence channels can be parametrized individually
- Adaptable 1 channel light measurement
- Mixed light measurement suitable for LEDs, fluorescent lamps (FL/PL/ESL) and halogen/incandescent lamps
- Can be used as fully or semi-automatic, switchable
- Switch or constant light control mode with stand-by function
- Dimmable lighting in switch mode with stand-by function
- Brightness switching value or set point value can be set in lux using parameters, on the device itself or via remote control
- Teaching in of the brightness switching value or the set point value
- Room correction factor setting for brightness measurement calibration
- Light time delay can be set using parameters, on the device itself or via remote control
- Switch on delay and time delay for presence can be set
- Detection sensitivity can be set
- Reduced time delay in the event of a shorter stay in the room (short presence)
- Scenario functions
- Test mode for checking function and detection range
- Sensitivity adjustable
- Detection area can be limited using cover clip
- Manual override using telegram or remote control
- Parallel switching of several detectors in Master/Slave or Master/Master possible
- Ceiling installation in flush-mounted socket
- Ceiling installation also possible with surface-mounted frame
- User remote control and management-remote control (optional)



Subject to technical changes and misprints

additional information at: www.theben.de/product/2089000

The load data are determined with exemplary selected illuminants and are therefore typical data due to the large number of available products.

theRonda P360 KNX UP WH

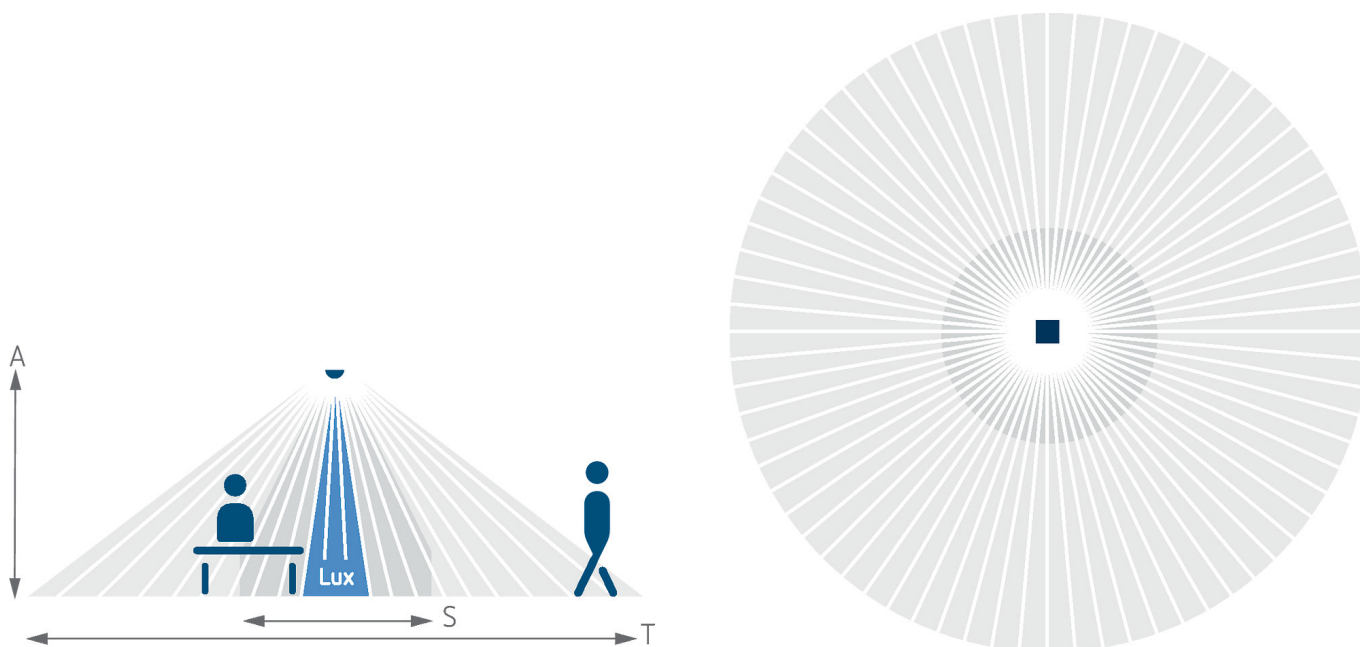
Item no.: 2089000

Technical data

theRonda P360 KNX UP WH		theRonda P360 KNX UP WH	
Installation height	2 - 10 m	Light measurement	Mixed light measurement
Maximum height	15 m	Presence switch-off delay	10 s - 120 min
Minimum height	1.7 m	Switch-on delay presence	10 s - 30 min / inactive
Detection angle	360°	Ambient temperature	-15°C ... 50°C
Type of connection	KNX bus terminal	Detection range	452 m ² (ø 24 m)
Installation type	Ceiling installation	Colour	White
Light switch-off delay	30 s - 60 min	Type of protection	IP 54 (when fitted)
Lamp types	Energy saving lamps, fluorescent lamps, Incandescent/halogen lamps, LEDs		

Detection range for planning applications at a temperature of 21 °C

Mounting height (A)	Sitting (S)	Diagonally (T)	Head on to (R)
2 m	16 m ² 4.5 m	380 m ² 22 m	28 m ² 6 m
2.5 m	24 m ² 5.5 m	415 m ² 23 m	38 m ² 7 m
3 m	28 m ² 6 m	452 m ² 24 m	50 m ² 8 m
3.5 m	38 m ² 7 m	452 m ² 24 m	50 m ² 8 m
6 m		452 m ² 24 m	50 m ² 8 m
10 m		491 m ² 25 m	50 m ² 8 m



Detection range according to Sensnorm IEC 63180

Mounting height (A)	Diagonally (T)	Head on to (R)	Sitting (S)
2.5 m	434 m ² 23.5 m	55 m ² 8.4 m	50 m ² 8 m
10 m	707 m ² 30 m	79 m ² 10 m	
15 m	616 m ² 28 m	141 m ² 13.4 m	

Subject to technical changes and misprints

additional information at: www.theben.de/product/2089000

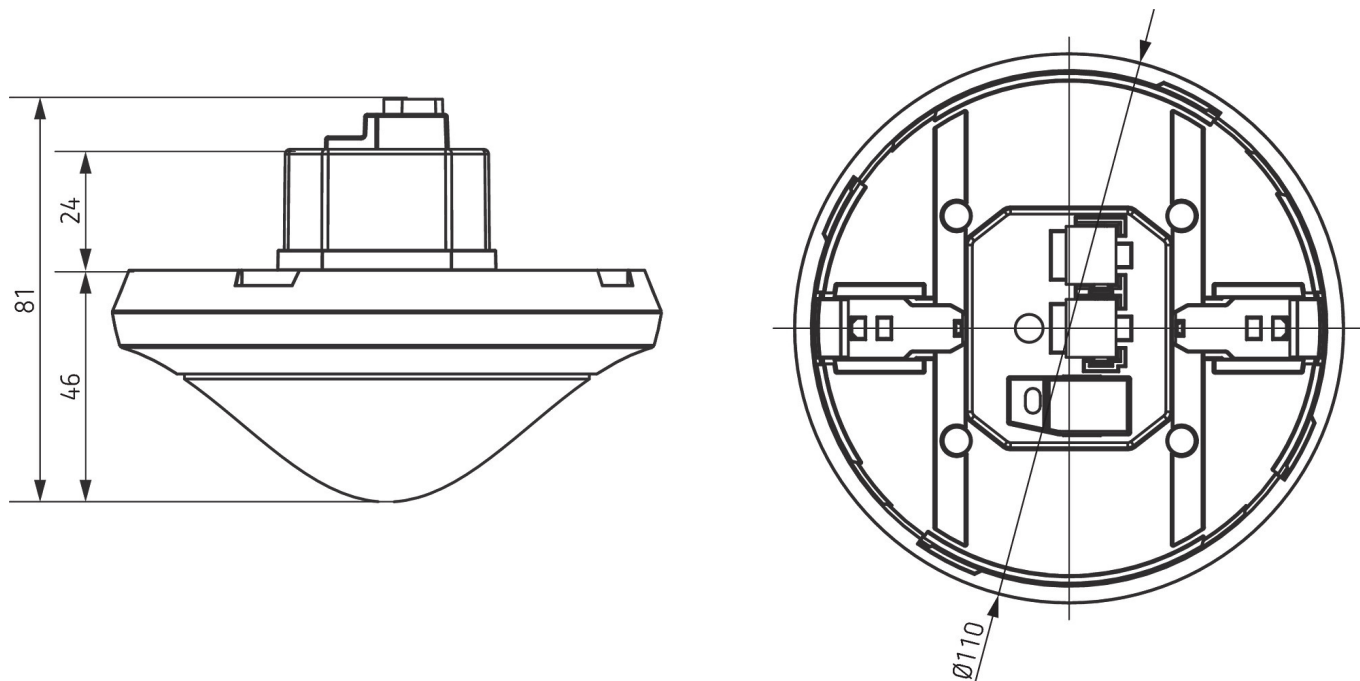
The load data are determined with exemplary selected illuminants and are therefore typical data due to the large number of available products.

theRonda P360 KNX UP WH

Item no.: 2089000



Scale drawings



Accessories

theSenda P
Item no.: 9070910



theSenda S
Item no.: 9070911



Surface frame 110A GR
Item no.: 9070913



Ceiling installation box 73A
Item no.: 9070917

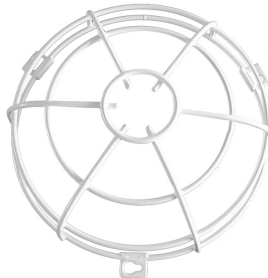
Surface frame 110A WH
Item no.: 9070912



Masking clip
Item no.: 9070921



QuickSafe
Item no.: 9070531



theSenda B
Item no.: 9070985



Subject to technical changes and misprints

additional information at: www.theben.de/product/2089000

The load data are determined with exemplary selected illuminants and are therefore typical data due to the large number of available products.

theRonda P360 KNX UP WH

Item no.: 2089000



Accessories

Cover 110 GR

Item no.: 9070591



Ceiling installation box 68A

Item no.: 9070992



Surface frame 110A BK

Item no.: 9070600



Cover 110 BK

Item no.: 9070851



Subject to technical changes and misprints

additional information at: www.theben.de/product/2089000

The load data are determined with exemplary selected illuminants and are therefore typical data due to the large number of available products.

30/04/2026

Page 4 of 4