

theRonda S360-100 WH WINSTA

Item no.: 2080575

theben

Presence and motion detectors
Ceiling installation indoor

Description

- Presence detector (PIR), with pre-configured cable and WAGO WINSTA Midi connector, cable length 1,50 meter
- Passive infra-red presence detector for ceiling installation
- Circular detection area 360°, up to Ø 9 m (64 m²)
- Automatic motion and brightness-dependent control for lighting
- Mixed light measurement suitable for fluorescent lamps (FL/PL/ESL), halogen/incandescent lamps and LEDs
- Channel A light: relay, 230 V
- Operation as fully automatic device
- Brightness switching value configurable, teach-in function
- Pulse function for staircase light time switch
- Time delay configurable
- Detection sensitivity configurable
- Test mode for checking function and detection area
- Ready for immediate use due to factory presetting (Brightness switching value 300 lux, Time delay 10 min.)
- One of these optional remote controls is required for changing the values and attitudes:
 - Management remote control SendaPro
 - Installation remote control theSenda P
 - Optional user remote control: theSenda S



Technical data

theRonda S360-100 WH WINSTA	
Operating voltage	230 V AC
Frequency	50 Hz
Installation height	2 - 4 m
Minimum height	1.7 m
Installation type	Ceiling mounting, Indoor, Flush-mounted
Colour	White
Switching output	Light
Light measurement	Mixed light measurement

theRonda S360-100 WH WINSTA	
Setting range brightness	30 - 3000 lx
Light switch-off delay	10 s - 60 min
Lamp types	Incandescent/halogen lamps, fluorescent lamps, Energy saving lamps, LEDs
Incandescent/halogen lamp load	2300 W
Inrush current	max. 400 A / 200 µs
LED lamp < 2 W	25 W
LED lamp 2-8 W	250 W

Subject to technical changes and misprints

additional information at: www.theben.de/product/2080575

The load data are determined with exemplary selected illuminants and are therefore typical data due to the large number of available products.

30/04/2026

Page 1 of 4

theRonda S360-100 WH WINSTA

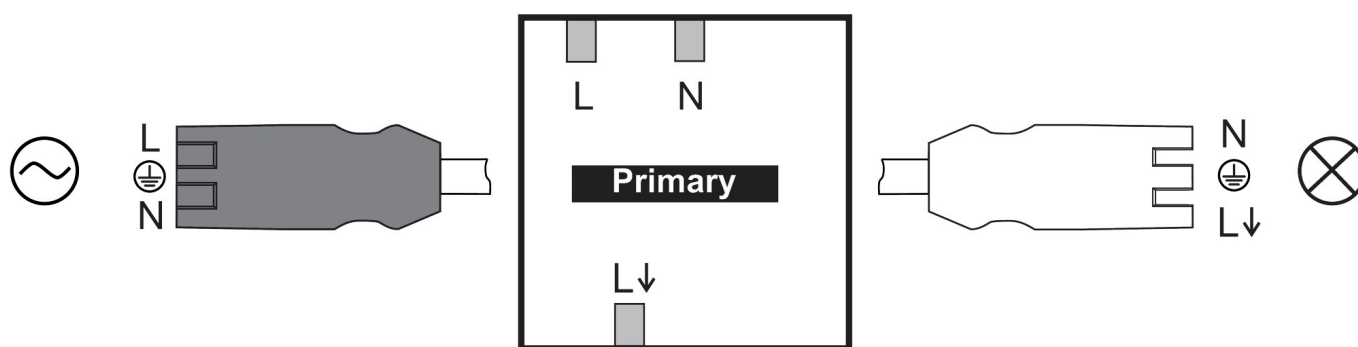
Item no.: 2080575



Technical data

theRonda S360-100 WH WINSTA		theRonda S360-100 WH WINSTA	
LED lamp > 8 W	250 W	Detection angle	360°
Type of connection	Screw terminals	Ambient temperature	-15°C ... 50°C
Max. cable cross section	max. 2 x 2,5 mm ²	Impact resistance	IK04
Detection range	50 m ² (ø 8 m)	Type of protection	IP 54 (when fitted)

Connection example



Detection range for planning applications at a temperature of 21 °C

Mounting height (A)	Sitting (S)	Diagonally (T)	Head on to (R)
2 m	5 m ² 2.5 m	38 m ² 7 m	2.5 m
2.5 m	7 m ² 3 m	38 m ² 7 m	3 m
3 m	13 m ² 4 m	50 m ² 8 m	4 m
3.5 m	13 m ² 4 m	50 m ² 8 m	4 m
4 m	13 m ² 4 m	64 m ² 9 m	13 m ² 4 m

Subject to technical changes and misprints

additional information at: www.theben.de/product/2080575

The load data are determined with exemplary selected illuminants and are therefore typical data due to the large number of available products.

30/04/2026

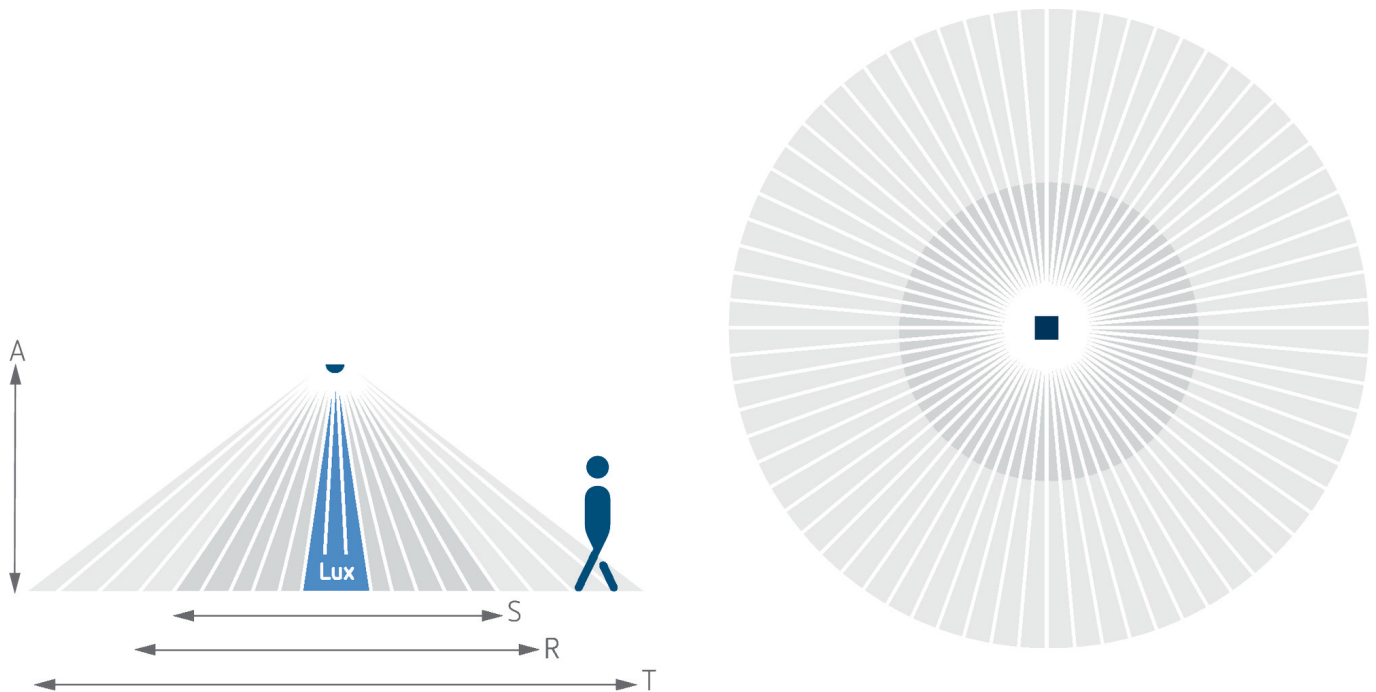
Page 2 of 4

theRonda S360-100 WH WINSTA

Item no.: 2080575

theben

Detection range for planning applications at a temperature of 21 °C



Detection range according to Sensnorm IEC 63180

Mounting height (A)	Diagonally (T)	Head on to (R)	Sitting (S)
2.5 m	28 m ² 6 m	28 m ² 6 m	20 m ² 5 m
4 m	95 m ² 11 m	79 m ² 10 m	

Subject to technical changes and misprints

additional information at: www.theben.de/product/2080575

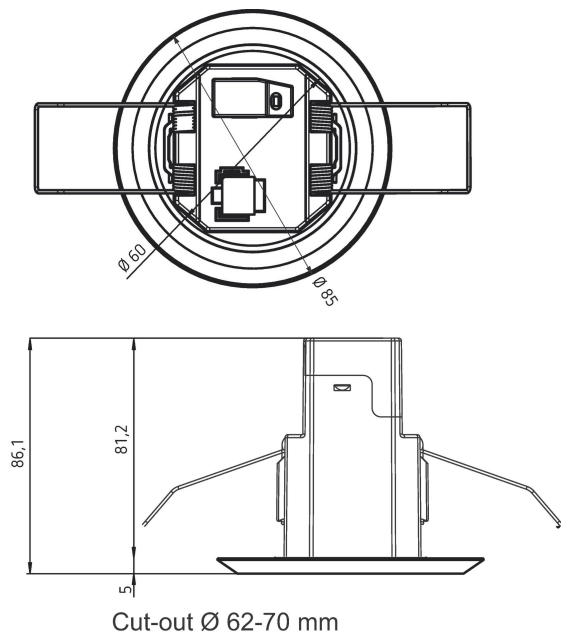
The load data are determined with exemplary selected illuminants and are therefore typical data due to the large number of available products.

theRonda S360-100 WH WINSTA

Item no.: 2080575

theben

Scale drawings



Accessories

theSenda P

Item no.: 9070910



theSenda S

Item no.: 9070911



theSenda B

Item no.: 9070985



Subject to technical changes and misprints

additional information at: www.theben.de/product/2080575

The load data are determined with exemplary selected illuminants and are therefore typical data due to the large number of available products.