

theRonda S360-101 SP WIN

Item no.: 2080515

theben

Presence and motion detectors Ceiling installation indoor

Description

- Passive infra-red presence detector for flush-mounted ceiling installation
- Circular detection area 360°, up to Ø 8 m (50 m²) at mounting height 3 m
- 1 channel light (Relay, 230 V)
- Automatic presence- and brightness-dependent control for lighting
- Mixed light measurement suitable for fluorescent lamps (FL/PL/ESL), halogen/incandescent lamps and LEDs
- Choice of fully or semi-automatic operation
- Adjustable brightness switching value, teach-in function
- Reduction of switch-off delay time in the event of short presence (brief-presence)
- Connection option for sensors or switches for manual switching with automatic recognition of sensor/switch
- Pulse function for staircase light time switch
- Switch-on delay and switch-off delay configurable
- Sensitivity adjustable
- Detection area can be limited using cover clip
- Ready for immediate use due to factory preset
- An optional remote control is required for changing the values and attitudes
- Test mode for checking function and detection area
- Ceiling installation in flush-mounted socket
- Ceiling installation also possible with surface-mounted frame
- User remote control theSenda S, service remote control theSenda P, management remote control SendaPro (optional)



Technical data

theRonda S360-101 SP WIN	
Operating voltage	110 - 230 V AC
Frequency	50 - 60 Hz
Minimum height	1.7 m
Installation type	Ceiling mounting
Colour	White
Switching output	Light
Power consumption	~
Light measurement	Mixed light measurement
Setting range brightness	30 - 3000 lx
Lamp types	Incandescent/halogen lamps, fluorescent lamps, Energy saving lamps, LEDs

theRonda S360-101 SP WIN	
Compact and fluorescent lamps	1150 VA (cos φ = 0,5)
Inrush current	max. 800 A / 200 μs
LED lamp < 2 W	60 W
LED lamp 2-8 W	600 W
LED lamp > 8 W	600 W
Type of connection	Flachstecker
Detection range	50 m² (Ø 8 m)
Detection angle	360°
Ambient temperature	50°C
Impact resistance	IK04
Type of protection	IP 54 (when fitted)

Subject to technical changes and misprints

additional information at: www.theben.de/product/2080515

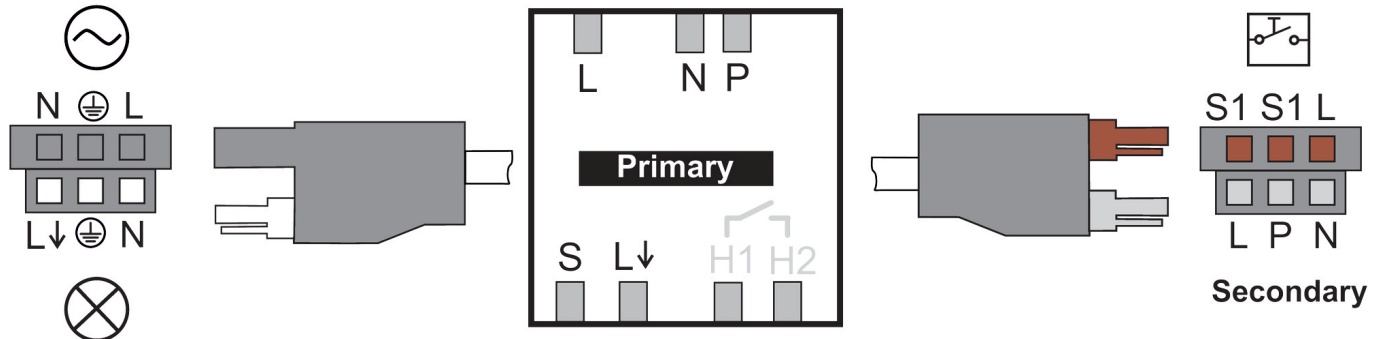
The load data are determined with exemplary selected illuminants and are therefore typical data due to the large number of available products.

theRonda S360-101 SP WIN

Item no.: 2080515

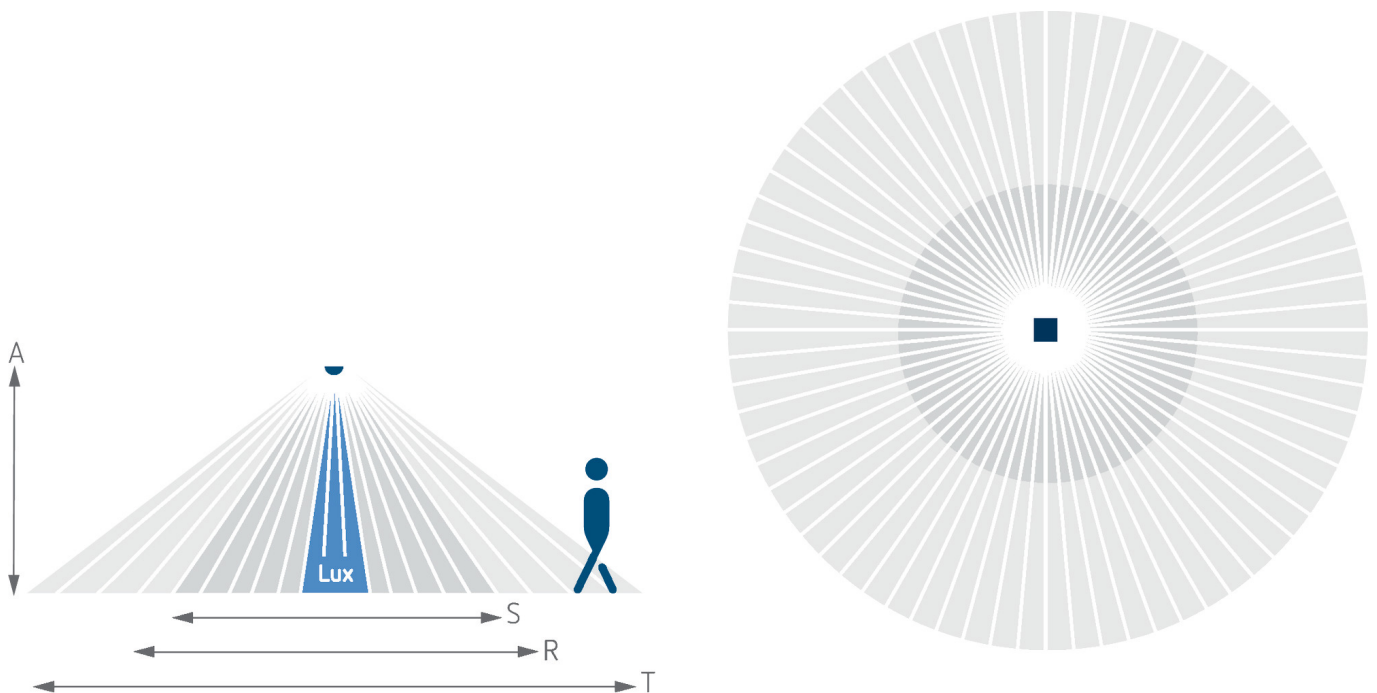


Connection example



Detection range for planning applications at a temperature of 21 °C

Mounting height (A)	Sitting (S)	Diagonally (T)	Head on to (R)
2 m	5 m ² 2.5 m	38 m ² 7 m	5 m ² 2.5 m ²
2.5 m	7 m ² 3 m	38 m ² 7 m	7 m ² 3 m
3 m	13 m ² 4 m	50 m ² 8 m	13 m ² 4 m
3.5 m	13 m ² 4 m	50 m 8 m	13 m ² 4 m
4 m	13 m ² 4 m	64 m ² 9 m	13 m ² 4 m



Detection range according to Sensnorm IEC 63180

Mounting height (A)	Diagonally (T)	Head on to (R)	Sitting (S)
2.5 m	50 m ² 8 m	28 m ² 6 μm	20 m ² 5 m
4 m	79 m ² 10 m	71 m ² 9.5 m	

Subject to technical changes and misprints

additional information at: www.theben.de/product/2080515

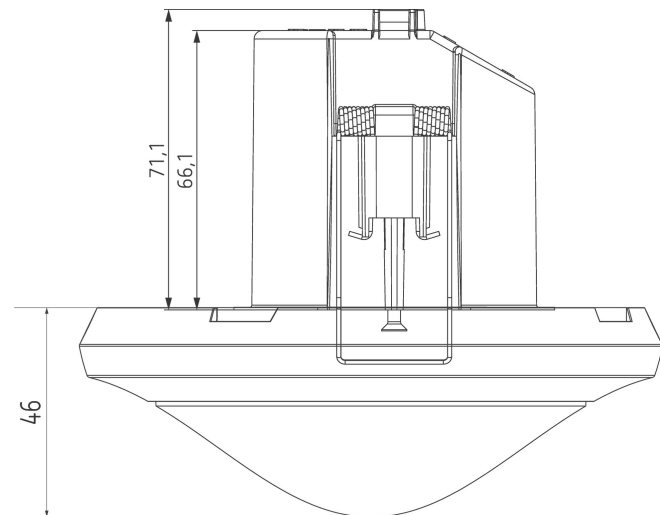
The load data are determined with exemplary selected illuminants and are therefore typical data due to the large number of available products.

theRonda S360-101 SP WIN

Item no.: 2080515



Scale drawings



Cut-out Ø 68 mm

Accessories

theSenda P

Item no.: 9070910



theSenda S

Item no.: 9070911



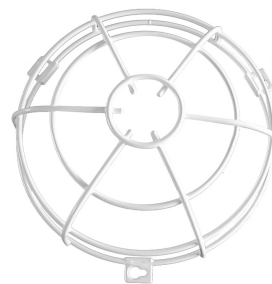
Masking clip

Item no.: 9070921



QuickSafe

Item no.: 9070531



theSenda B

Item no.: 9070985



Cover 110 GR

Item no.: 9070591



Cover 110 BK

Item no.: 9070851



Subject to technical changes and misprints

additional information at: www.theben.de/product/2080515

The load data are determined with exemplary selected illuminants and are therefore typical data due to the large number of available products.