

theRonda P360-330 DALI SP WIN

Item no.: 2080058

theben

DALI
Presence detectors

Description

- Passive infra-red presence detector for flush-mounted ceiling installation, DALI-2 certified
- Circular detection area 360°, Ø 24 m, (452 m²) at mounting height 3 m
- 3 channels light DALI-2 addressable
- DALI-2 technology according to IEC 62386 Parts 101 and 103
- Flexible assignment of up to 3 light groups towards one DALI line
- Easy, intuitive configuration of the DALI groups
- Up to 3 push-button inputs
- Using of conventional push-buttons for maximum design freedom
- Switch or constant light control mode with stand-by function
- Dimmable lighting in switch mode with stand-by function
- Choice of fully or semi-automatic operation
- Adjustable brightness switching value
- Teach-in function via remote control or push-button
- Setting of room correction factor (Automatic adjustment of brightness measurement)
- Light time delay can be set
- Calibrated 3 channels light measurement
- Brief-presence
- Self-learning time delay
- Extremely easy setting of energy saving characteristics with the new „eco plus“ function
- Selectable control speed
- Manual override via remote control or pushbutton
- Behavior after push button operation selectable (school / office)
- Test mode light
- Test-Mode presence
- Remote-controllable
- Scenes
- Sensitivity adjustable
- Detection area can be limited using cover clip
- Extension of detection area via Master/Slave or Master/Master switching
- Optimized handling by installer during assembly, wiring, commissioning



Technical data

theRonda P360-330 DALI SP WIN		theRonda P360-330 DALI SP WIN	
Operating voltage	110 - 230 V AC	Installation type	Ceiling mounting
Frequency	50 - 60 Hz	Colour	White
Maximum height	15 m	Switching output	DALI
Minimum height	1.7 m	Power consumption	<

Subject to technical changes and misprints

additional information at: www.theben.de/product/2080058

The load data are determined with exemplary selected illuminants and are therefore typical data due to the large number of available products.

theRonda P360-330 DALI SP WIN

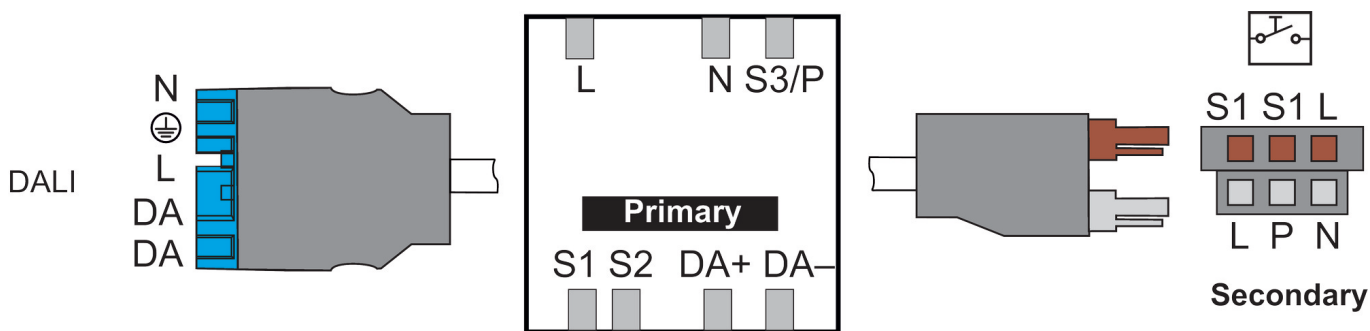
Item no.: 2080058



Technical data

theRonda P360-330 DALI SP WIN		theRonda P360-330 DALI SP WIN	
Light measurement	Mixed light measurement	Output light	DALI-interface according to IEC SN EN 62 386 for max. 50 DALI devices
Setting range brightness	10 - 3000 lx	Type of connection	Flachstecker
Lamp types	Incandescent/halogen lamps, fluorescent lamps, Energy saving lamps, LEDs	Detection range	452 m ² (ø 24 m)
Control output	100 mA	Detection angle	360°
		Ambient temperature	50°C
		Type of protection	IP 54 (when fitted)

Connection example



Detection range for planning applications at a temperature of 21 °C

Mounting height (A)	Sitting (S)	Diagonally (T)	Frontal gehend (R)
2 m	16 m ² 4.5 m	380 m ² 22 m	28 m ² 6 m
2.5 m	24 m ² 5.5 m	415 m ² 23 m	38 m ² 7 m
3 m	28 m ² 6 m	452 m ² 24 m	50 m ² 8 m
3.5 m	38 m ² 7 m	452 m ² 24 m	50 m ² 8 m
6 m		452 m ² 24 m	50 m ² 8 m
10 m		491 m ² 25 m	50 m ² 8 m

Subject to technical changes and misprints

additional information at: www.theben.de/product/2080058

The load data are determined with exemplary selected illuminants and are therefore typical data due to the large number of available products.

29/05/2026

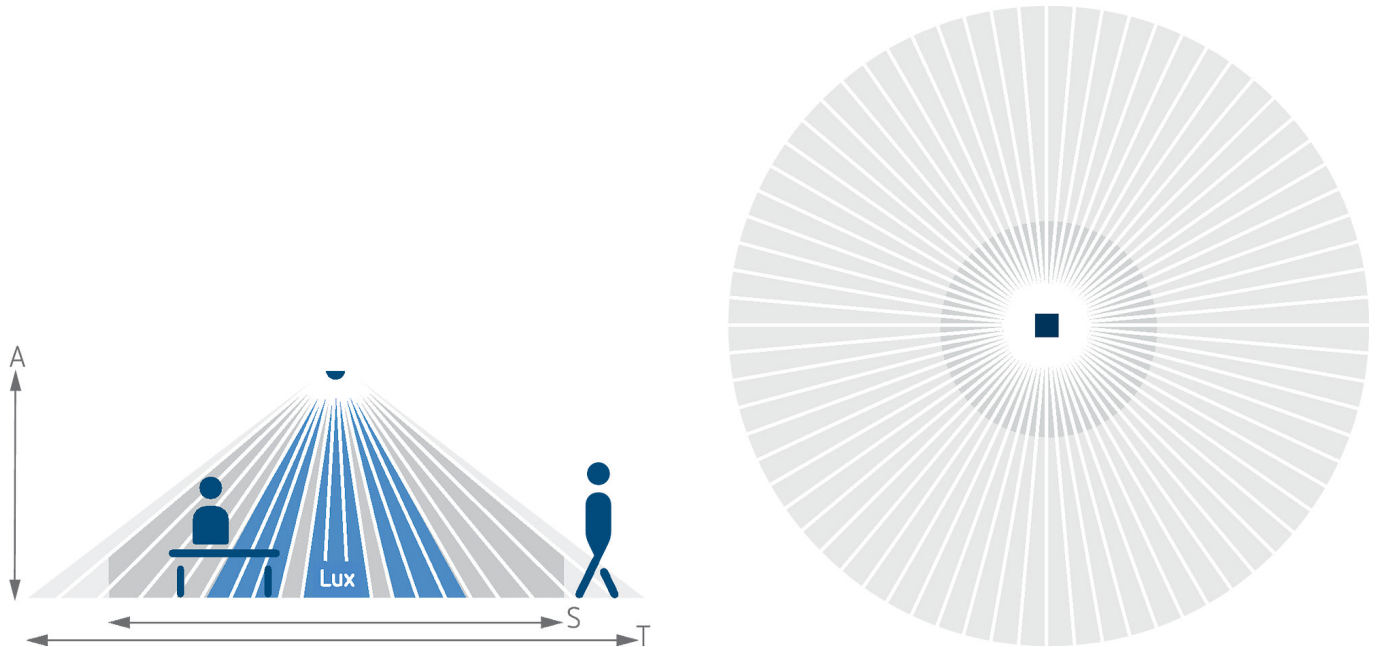
Page 2 of 4

theRonda P360-330 DALI SP WIN

Item no.: 2080058



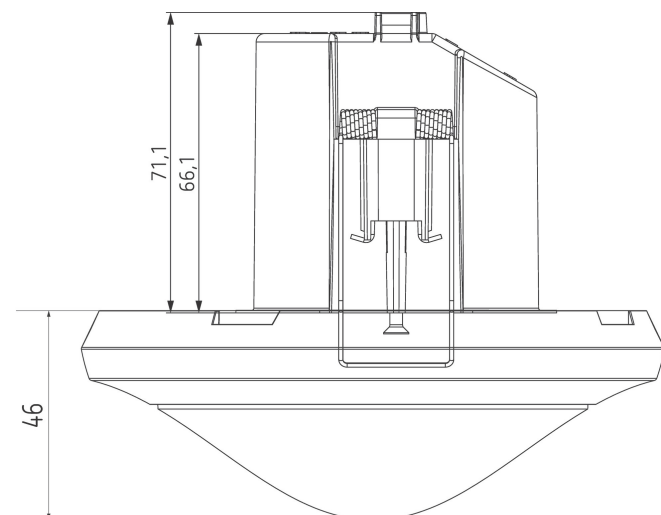
Detection range for planning applications at a temperature of 21 °C



Detection range according to Sensnorm IEC 63180

Mounting height (A)	Diagonally (T)	Head on to (R)	Sitting (S)
2.5 m	434 m ² 23.5 m	55 m ² 8.4 m	50 m ² 8 m
10 m	707 m ² 30 m	79 m ² 10 m	
15 m	616 m ² 28 m	141 m ² 13.4 m	

Scale drawings



Cut-out Ø 68 mm

Subject to technical changes and misprints

additional information at: www.theben.de/product/2080058

The load data are determined with exemplary selected illuminants and are therefore typical data due to the large number of available products.

29/05/2026

Page 3 of 4

theRonda P360-330 DALI SP WIN

Item no.: 2080058

theben

Accessories

theSenda S

Item no.: 9070911



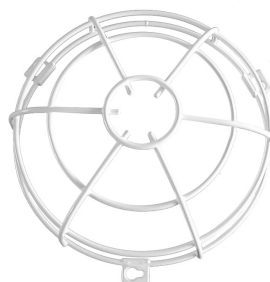
Masking clip

Item no.: 9070921



QuickSafe

Item no.: 9070531



theSenda B

Item no.: 9070985



Cover 110 GR

Item no.: 9070591



Cover 110 BK

Item no.: 9070851



Subject to technical changes and misprints

additional information at: www.theben.de/product/2080058

The load data are determined with exemplary selected illuminants and are therefore typical data due to the large number of available products.