

theRonda P360-330 DALI 3P WIN

Item no.: 2080057

theben

DALI Presence detectors

Description

- Passive infra-red presence detector for flush-mounted ceiling installation, DALI-2 certified
- Circular detection area 360°, Ø 24 m, (452 m²) at mounting height 3 m
- 3 channels light DALI-2 addressable
- DALI-2 technology according to IEC 62386 Parts 101 and 103
- Flexible assignment of up to 3 light groups towards one DALI line
- Easy, intuitive configuration of the DALI groups
- Up to 3 push-button inputs
- Using of conventional push-buttons for maximum design freedom
- Switch or constant light control mode with stand-by function
- Dimmable lighting in switch mode with stand-by function
- Choice of fully or semi-automatic operation
- Adjustable brightness switching value
- Teach-in function via remote control or push-button
- Setting of room correction factor (Automatic adjustment of brightness measurement)
- Light time delay can be set
- Calibrated 3 channels light measurement
- Brief-presence
- Self-learning time delay
- Extremely easy setting of energy saving characteristics with the new „eco plus“ function
- Selectable control speed
- Manual override via remote control or pushbutton
- Behavior after push button operation selectable (school / office)
- Test mode light
- Test-Mode presence
- Remote-controllable
- Scenes
- Sensitivity adjustable
- Detection area can be limited using cover clip
- Extension of detection area via Master/Slave or Master/Master switching
- Optimized handling by installer during assembly, wiring, commissioning



Technical data

| theRonda P360-330 DALI 3P WIN | |
|-------------------------------|----------------|
| Operating voltage | 110 - 230 V AC |
| Frequency | 50 - 60 Hz |
| Maximum height | 15 m |
| Minimum height | 1.7 m |

| theRonda P360-330 DALI 3P WIN | |
|-------------------------------|------------------|
| Installation type | Ceiling mounting |
| Colour | White |
| Switching output | DALI |
| Power consumption | < |

Subject to technical changes and misprints

additional information at: www.theben.de/product/2080057

The load data are determined with exemplary selected illuminants and are therefore typical data due to the large number of available products.

theRonda P360-330 DALI 3P WIN

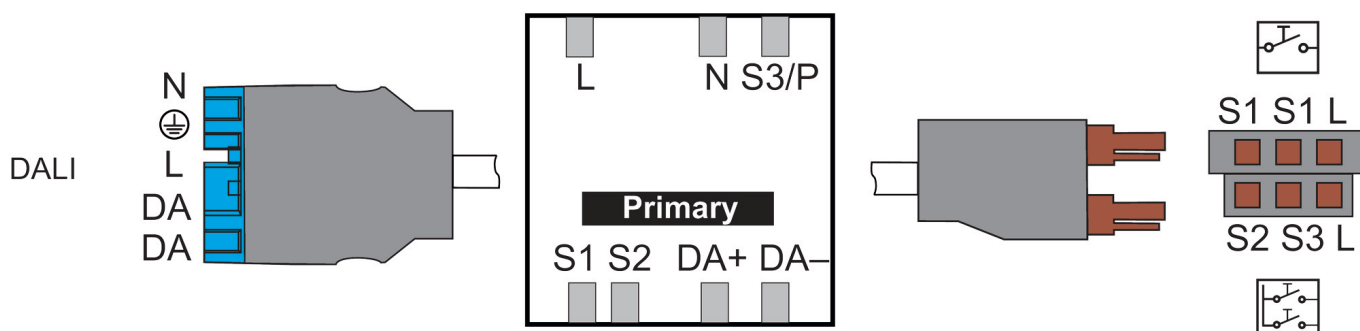
Item no.: 2080057



Technical data

| theRonda P360-330 DALI 3P WIN | | theRonda P360-330 DALI 3P WIN | |
|-------------------------------|--|-------------------------------|---|
| Light measurement | Mixed light measurement | Output light | DALI-interface according to IEC SN EN 62 386 for max. 50 DALI devices |
| Setting range brightness | 10 - 3000 lx | Type of connection | Flachstecker |
| Lamp types | Incandescent/halogen lamps, fluorescent lamps, Energy saving lamps, LEDs | Detection range | 452 m ² (ø 24 m) |
| Control output | 100 mA | Detection angle | 360° |
| | | Ambient temperature | 50°C |
| | | Type of protection | IP 54 (when fitted) |

Connection example



Detection range for planning applications at a temperature of 21 °C

| Mounting height (A) | Sitting (S) | Diagonally (T) | Frontal gehend (R) |
|---------------------|---------------------------|---------------------------|-------------------------|
| 2 m | 16 m ² 4.5 m | 380 m ² 22 m | 28 m ² 6 m |
| 2.5 m | 24 m ² 5.5 m | 415 m ² 23 m | 38 m ² 7 m |
| 3 m | 28 m ² 6 m | 452 m ² 24 m | 50 m ² 8 m |
| 3.5 m | 38 m ² 7 m | 452 m ² 24 m | 50 m ² 8 m |
| 6 m | | 452 m ² 24 m | 50 m ² 8 m |
| 10 m | | 491 m ² 25 m | 50 m ² 8 m |

Subject to technical changes and misprints

additional information at: www.theben.de/product/2080057

The load data are determined with exemplary selected illuminants and are therefore typical data due to the large number of available products.

29/05/2026

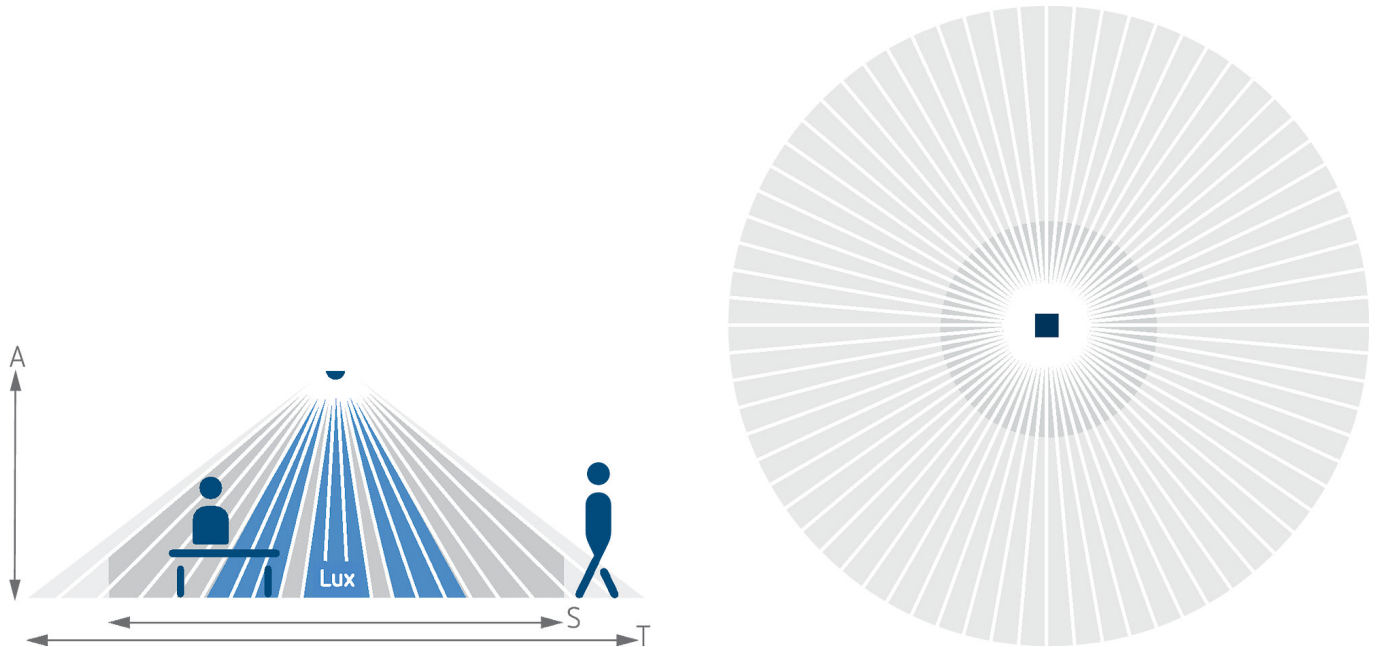
Page 2 of 4

theRonda P360-330 DALI 3P WIN

Item no.: 2080057



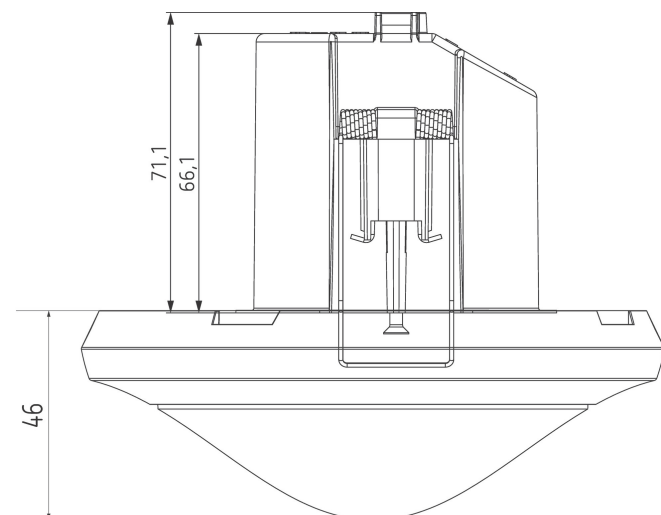
Detection range for planning applications at a temperature of 21 °C



Detection range according to Sensnorm IEC 63180

| Mounting height (A) | Diagonally (T) | Head on to (R) | Sitting (S) |
|---------------------|-----------------------------|-----------------------------|-------------------------|
| 2.5 m | 434 m ² 23.5 m | 55 m ² 8.4 m | 50 m ² 8 m |
| 10 m | 707 m ² 30 m | 79 m ² 10 m | |
| 15 m | 616 m ² 28 m | 141 m ² 13.4 m | |

Scale drawings



Cut-out Ø 68 mm

Subject to technical changes and misprints

additional information at: www.theben.de/product/2080057

The load data are determined with exemplary selected illuminants and are therefore typical data due to the large number of available products.

theRonda P360-330 DALI 3P WIN

Item no.: 2080057

Accessories

theSenda S

Item no.: 9070911



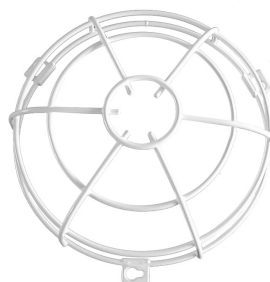
Masking clip

Item no.: 9070921



QuickSafe

Item no.: 9070531



theSenda B

Item no.: 9070985



Cover 110 GR

Item no.: 9070591



Cover 110 BK

Item no.: 9070851



Subject to technical changes and misprints

additional information at: www.theben.de/product/2080057

The load data are determined with exemplary selected illuminants and are therefore typical data due to the large number of available products.

29/05/2026

Page 4 of 4