

# theRonda P360 Slave S WIN

Item no.: 2080053

**theben**

## Presence and motion detectors Ceiling installation indoor

### Description

- Passive infra-red presence detector for flush-mounted ceiling installation
- Circular detection area 360°, up to Ø 24 m (452 m<sup>2</sup>) at mounting height 3 m
- 1 channel light (Relay, 230 V)
- Automatic presence- and brightness-dependent control for lighting
- Mixed light measurement suitable for fluorescent lamps (FL/PL/ESL), halogen/incandescent lamps and LEDs
- Choice of fully or semi-automatic operation
- Adjustable brightness switching value, teach-in function
- Reduction of switch-off delay time in the event of short presence (brief-presence)
- Connection option for sensors or switches for manual switching with automatic recognition of sensor/switch
- Pulse function for staircase light time switch
- Switch-on delay and switch-off delay configurable
- Sensitivity adjustable
- Detection area can be limited using cover clip
- Ready for immediate use due to factory preset
- Test mode for checking function and detection area
- Extension of detection area via Master/Slave or Master/Master switching, a maximum of 10 detectors can be switched in parallel with each other
- Ceiling installation in flush-mounted socket
- Ceiling installation also possible with surface-mounted frame
- User remote control theSenda S, management remote control SendaPro (optional)



### Technical data

theRonda P360 Slave S WIN	
Operating voltage	110 - 230 V AC
Frequency	50 - 60 Hz
Maximum height	15 m
Minimum height	1.7 m
Installation type	Ceiling mounting
Colour	White
Switching output	Slave
Power consumption	~

theRonda P360 Slave S WIN	
Light measurement	Mixed light measurement
Type of connection	Flachstecker
Detection range	452 m <sup>2</sup> (Ø 24 m)
Detection angle	360°
Ambient temperature	50°C
Impact resistance	IK04
Type of protection	IP 54 (when fitted)

Subject to technical changes and misprints

additional information at: [www.theben.de/product/2080053](http://www.theben.de/product/2080053)

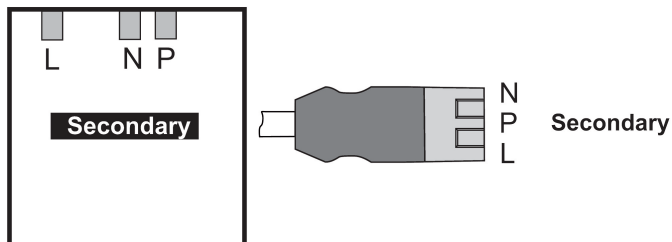
The load data are determined with exemplary selected illuminants and are therefore typical data due to the large number of available products.

# theRonda P360 Slave S WIN

Item no.: 2080053

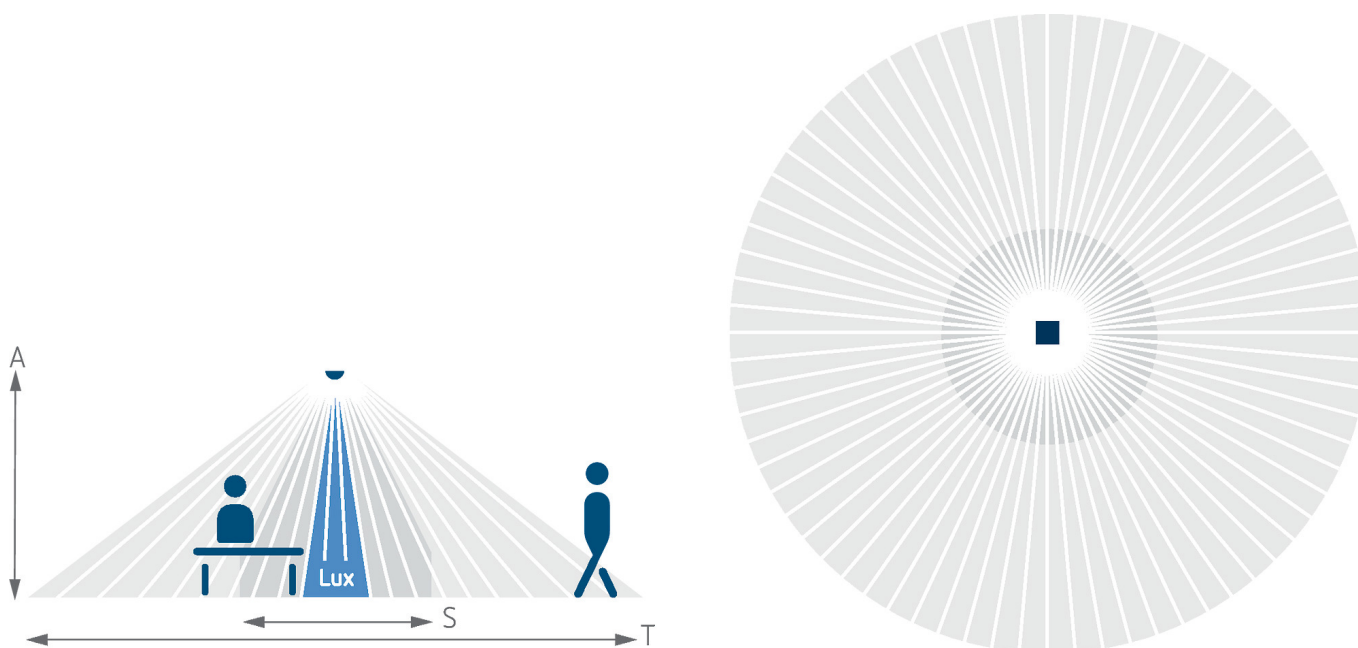


## Connection example



## Detection range for planning applications at a temperature of 21 °C

Mounting height (A)	Sitting (S)	Diagonally (T)	Frontal gehend (R)
2 m	16 m <sup>2</sup>   4.5 m	380 m <sup>2</sup>   22 m	28 m <sup>2</sup>   6 m
2.5 m	24 m <sup>2</sup>   5.5 m	415 m <sup>2</sup>   23 m	38 m <sup>2</sup>   7 m
3 m	28 m <sup>2</sup>   6 m	452 m <sup>2</sup>   24 m	50 m <sup>2</sup>   8 m
3.5 m	38 m <sup>2</sup>   7 m	452 m <sup>2</sup>   24 m	50 m <sup>2</sup>   8 m
6 m		452 m <sup>2</sup>   24 m	50 m <sup>2</sup>   8 m
10 m		491 m <sup>2</sup>   25 m	50 m <sup>2</sup>   8 m



## Detection range according to Sensnorm IEC 63180

Mounting height (A)	Diagonally (T)	Head on to (R)	Sitting (S)
2.5 m	434 m <sup>2</sup>   23.5 m	55 m <sup>2</sup>   8.4 m	50 m <sup>2</sup>   8 m
10 m	707 m <sup>2</sup>   30 m	79 m <sup>2</sup>   10 m	
15 m	616 m <sup>2</sup>   28 m	141 m <sup>2</sup>   13.4 m	

Subject to technical changes and misprints

additional information at: [www.theben.de/product/2080053](http://www.theben.de/product/2080053)

The load data are determined with exemplary selected illuminants and are therefore typical data due to the large number of available products.

29/05/2026

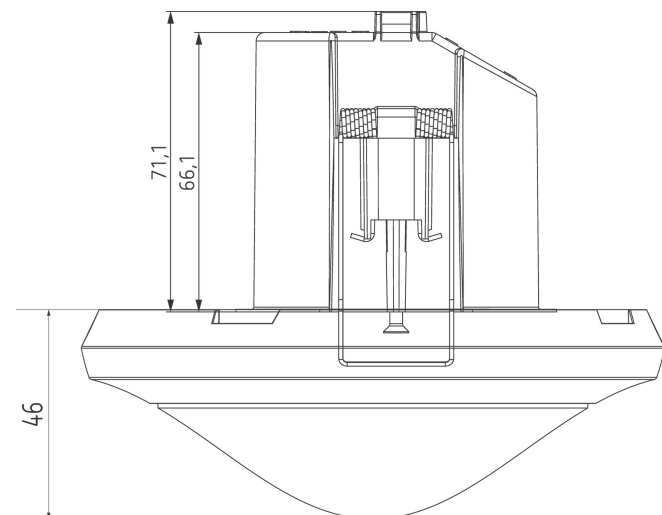
Page 2 of 3

# theRonda P360 Slave S WIN

Item no.: 2080053

# theben

## Scale drawings



Cut-out Ø 68 mm

## Accessories

### theSenda P

Item no.: 9070910



### theSenda S

Item no.: 9070911



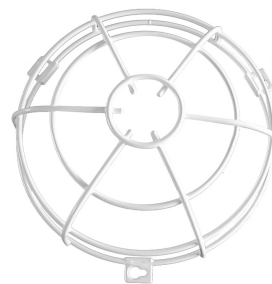
### Masking clip

Item no.: 9070921



### QuickSafe

Item no.: 9070531



### theSenda B

Item no.: 9070985



### Cover 110 GR

Item no.: 9070591



### Cover 110 BK

Item no.: 9070851



Subject to technical changes and misprints

additional information at: [www.theben.de/product/2080053](http://www.theben.de/product/2080053)

The load data are determined with exemplary selected illuminants and are therefore typical data due to the large number of available products.

29/05/2026

Page 3 of 3