

# theRonda P360-101 SP WIN

Item no.: 2080051

**theben**

## Presence and motion detectors Ceiling installation indoor

### Description

- Passive infra-red presence detector for flush-mounted ceiling installation
- Circular detection area 360°, up to Ø 24 m (452 m<sup>2</sup>) at mounting height 3 m
- 1 channel light (Relay, 230 V)
- Automatic presence- and brightness-dependent control for lighting
- Mixed light measurement suitable for fluorescent lamps (FL/PL/ESL), halogen/incandescent lamps and LEDs
- Choice of fully or semi-automatic operation
- Adjustable brightness switching value, teach-in function
- Reduction of switch-off delay time in the event of short presence (brief-presence)
- Connection option for sensors or switches for manual switching with automatic recognition of sensor/switch
- Pulse function for staircase light time switch
- Switch-on delay and switch-off delay configurable
- Sensitivity adjustable
- Detection area can be limited using cover clip
- Ready for immediate use due to factory preset
- Test mode for checking function and detection area
- Extension of detection area via Master/Slave or Master/Master switching, a maximum of 10 detectors can be switched in parallel with each other
- Ceiling installation in flush-mounted socket
- Ceiling installation also possible with surface-mounted frame
- User remote control theSenda S, management remote control SendaPro (optional)



### Technical data

theRonda P360-101 SP WIN	
Operating voltage	110 - 230 V AC
Frequency	50 - 60 Hz
Maximum height	15 m
Minimum height	1.7 m
Installation type	Ceiling mounting
Colour	White
Switching output	Light
Power consumption	~
Light measurement	Mixed light measurement
Setting range brightness	30 - 3000 lx

theRonda P360-101 SP WIN	
Lamp types	Incandescent/halogen lamps, fluorescent lamps, Energy saving lamps, LEDs
Compact and fluorescent lamps	1150 VA (cos φ = 0,5)
Inrush current	max. 800 A / 200 μs
LED lamp < 2 W	60 W
LED lamp 2-8 W	600 W
LED lamp > 8 W	600 W
Type of connection	Flachstecker
Detection range	452 m <sup>2</sup> (Ø 24 m)
Detection angle	360°
Ambient temperature	50°C

Subject to technical changes and misprints

additional information at: [www.theben.de/product/2080051](http://www.theben.de/product/2080051)

The load data are determined with exemplary selected illuminants and are therefore typical data due to the large number of available products.

# theRonda P360-101 SP WIN

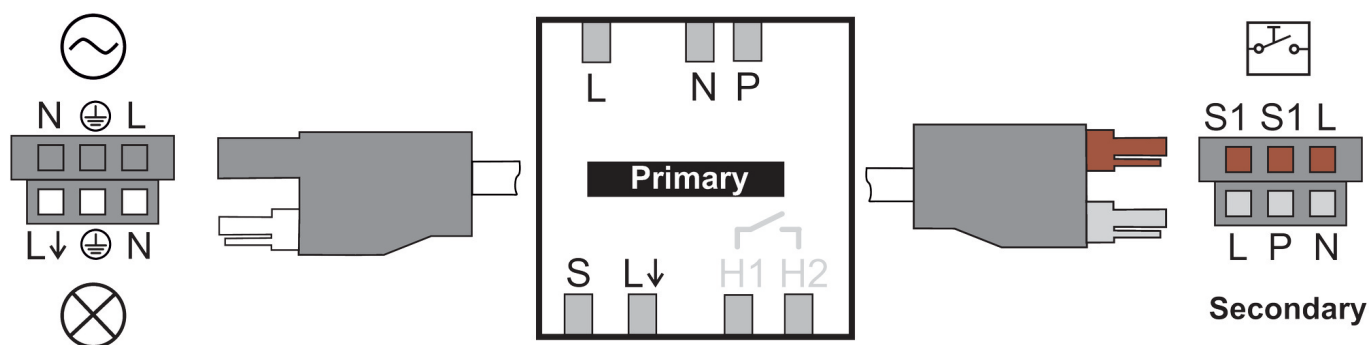
Item no.: 2080051



## Technical data

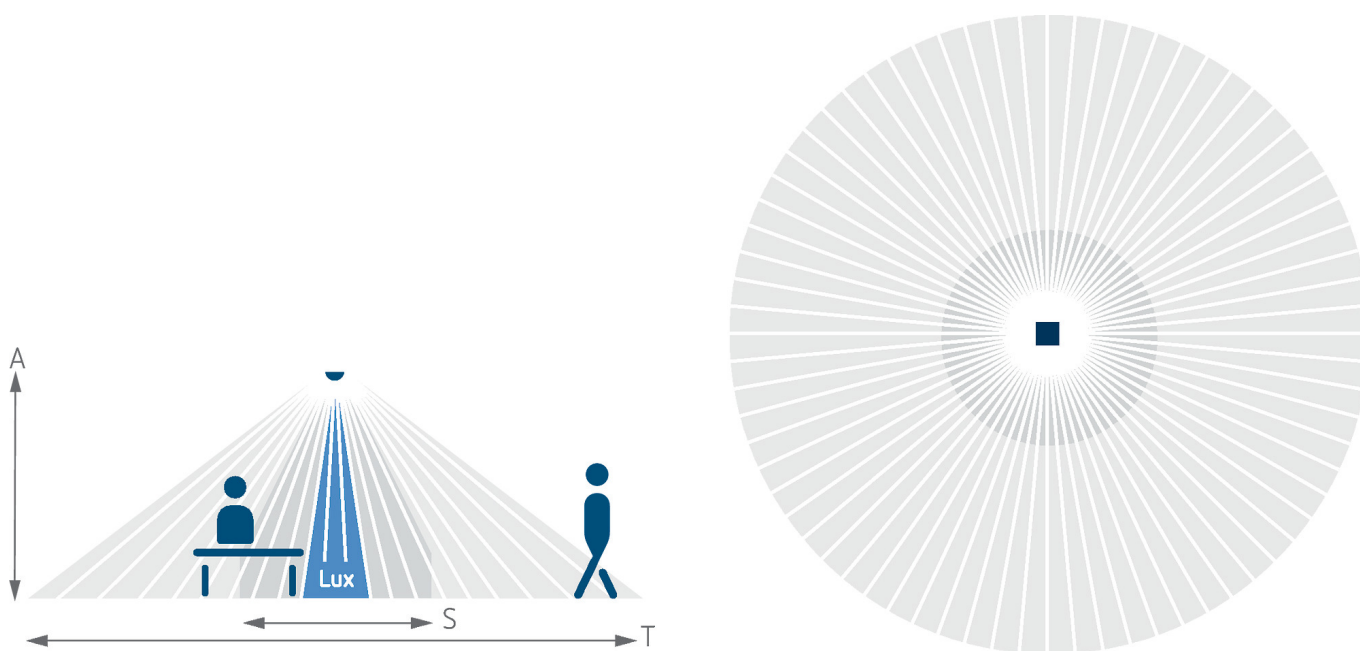
theRonda P360-101 SP WIN	
Impact resistance	IK04
Type of protection	IP 54 (when fitted)

## Connection example



## Detection range for planning applications at a temperature of 21 °C

Mounting height (A)	Sitting (S)	Diagonally (T)	Frontal gehend (R)
2 m	16 m <sup>2</sup>   4.5 m	380 m <sup>2</sup>   22 m	28 m <sup>2</sup>   6 m
2.5 m	24 m <sup>2</sup>   5.5 m	415 m <sup>2</sup>   23 m	38 m <sup>2</sup>   7 m
3 m	28 m <sup>2</sup>   6 m	452 m <sup>2</sup>   24 m	50 m <sup>2</sup>   8 m
3.5 m	38 m <sup>2</sup>   7 m	452 m <sup>2</sup>   24 m	50 m <sup>2</sup>   8 m
6 m		452 m <sup>2</sup>   24 m	50 m <sup>2</sup>   8 m
10 m		491 m <sup>2</sup>   25 m	50 m <sup>2</sup>   8 m



Subject to technical changes and misprints

additional information at: [www.theben.de/product/2080051](http://www.theben.de/product/2080051)

The load data are determined with exemplary selected illuminants and are therefore typical data due to the large number of available products.

# theRonda P360-101 SP WIN

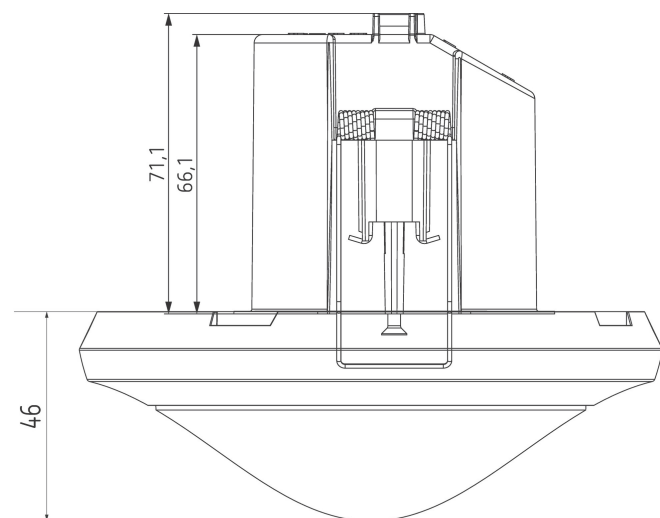
Item no.: 2080051



## Detection range according to Sensnorm IEC 63180

Mounting height (A)	Diagonally (T)	Head on to (R)	Sitting (S)
2.5 m	434 m <sup>2</sup>   23.5 m	55 m <sup>2</sup>   8.4 m	50 m <sup>2</sup>   8 m
10 m	707 m <sup>2</sup>   30 m	79 m <sup>2</sup>   10 m	
15 m	616 m <sup>2</sup>   28 m	141 m <sup>2</sup>   13.4 m	

## Scale drawings



Cut-out Ø 68 mm

## Accessories

**theSenda P**  
Item no.: 9070910



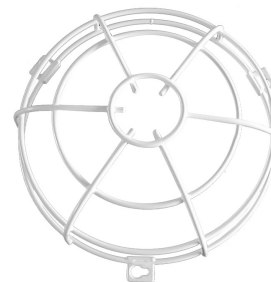
**theSenda S**  
Item no.: 9070911



**Masking clip**  
Item no.: 9070921



**QuickSafe**  
Item no.: 9070531



Subject to technical changes and misprints

additional information at: [www.theben.de/product/2080051](http://www.theben.de/product/2080051)

The load data are determined with exemplary selected illuminants and are therefore typical data due to the large number of available products.

# theRonda P360-101 SP WIN

Item no.: 2080051

# theben

## Accessories

---

### theSenda B

Item no.: 9070985



### Cover 110 GR

Item no.: 9070591



### Cover 110 BK

Item no.: 9070851



Subject to technical changes and misprints

additional information at: [www.theben.de/product/2080051](http://www.theben.de/product/2080051)

The load data are determined with exemplary selected illuminants and are therefore typical data due to the large number of available products.

29/05/2026

Page 4 of 4