

theRonda P360-100 M UP WH

Item no.: 2080020

theben

Presence and motion detectors
Ceiling installation indoor

Description

- Passive infra-red presence detector for flush-mounted ceiling installation
- Circular detection area 360°, up to Ø 24 m (452 m²) at mounting height 3 m
- 1 channel light (Relay, 230 V)
- Automatic presence- and brightness-dependent control for lighting
- Mixed light measurement suitable for fluorescent lamps (FL/PL/ESL), halogen/incandescent lamps and LEDs
- Choice of fully or semi-automatic operation
- Adjustable brightness switching value, teach-in function
- Reduction of switch-off delay time in the event of short presence (brief-presence)
- Connection option for sensors or switches for manual switching with automatic recognition of sensor/switch
- Pulse function for staircase light time switch
- Switch-on delay and switch-off delay configurable
- Sensitivity adjustable
- Detection area can be limited using cover clip
- Ready for immediate use due to factory preset
- Test mode for checking function and detection area
- Extension of detection area via Master/Slave or Master/Master switching, a maximum of 10 detectors can be switched in parallel with each other
- Ceiling installation in flush-mounted socket
- Ceiling installation also possible with surface-mounted frame
- User remote control theSenda S, management remote control SendaPro (optional)



Subject to technical changes and misprints

additional information at: www.theben.de/product/2080020

The load data are determined with exemplary selected illuminants and are therefore typical data due to the large number of available products.

theRonda P360-100 M UP WH

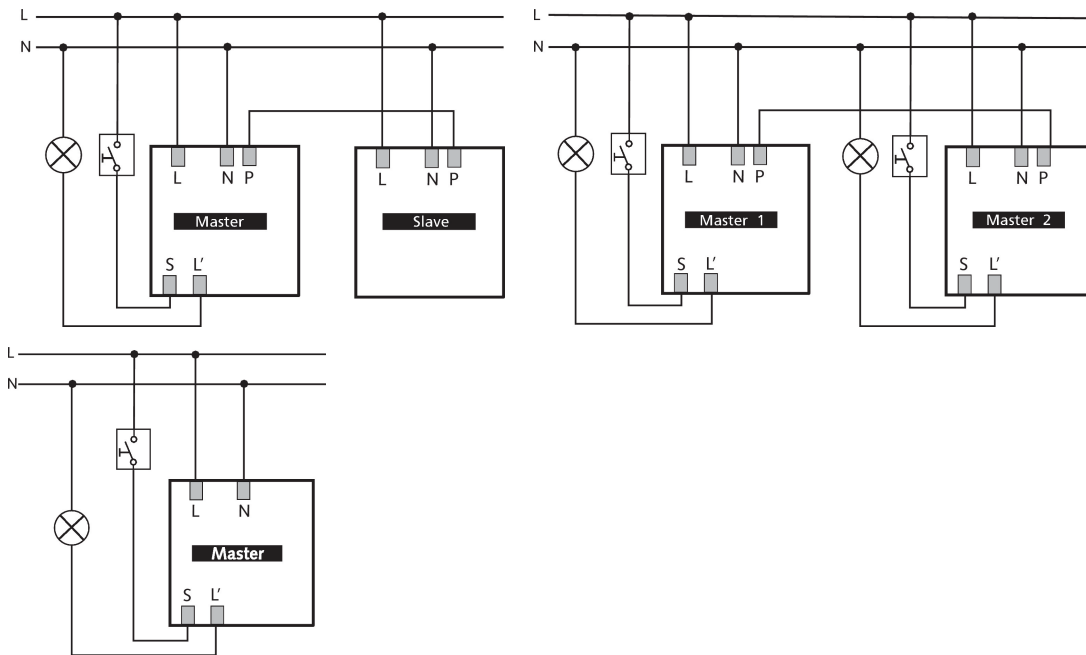
Item no.: 2080020



Technical data

theRonda P360-100 M UP WH		theRonda P360-100 M UP WH	
Operating voltage	110 V AC - 230 V AC	Incandescent/halogen lamp load	2300 W
Frequency	50 - 60 Hz	Compact and fluorescent lamps	1150 VA (cos φ = 0,5)
Installation height	2 - 10 m	Inrush current	max. 800 A / 200 μs
Maximum height	15 m	LED lamp < 2 W	60 W
Minimum height	1.7 m	LED lamp 2-8 W	600 W
Installation type	Ceiling installation, Indoor, Flush-mounted	LED lamp > 8 W	600 W
Colour	White	Type of connection	Screw terminals
Switching output	Light	Max. cable cross section	max. 2 x 2,5 mm ²
Power consumption	~0.15 W	Size of concealed housing	55 mm
Light measurement	Mixed light measurement	Detection range	452 m ² (ø 24 m)
Setting range brightness	30 - 3000 lx	Detection angle	360°
Light switch-off delay	10 s - 60 min	Ambient temperature	-15°C ... 50°C
Lamp types	Incandescent/halogen lamps, fluorescent lamps, Energy saving lamps, LEDs	Impact resistance	IK04
		Type of protection	IP 54 (when fitted)

Connection example



Detection range for planning applications at a temperature of 21 °C

Mounting height (A)	Sitting (S)	Diagonally (T)	Frontal gehend (R)
2 m	16 m ² 4.5 m	380 m ² 22 m	28 m ² 6 m
2.5 m	24 m ² 5.5 m	415 m ² 23 m	38 m ² 7 m
3 m	28 m ² 6 m	452 m ² 24 m	50 m ² 8 m
3.5 m	38 m ² 7 m	452 m ² 24 m	50 m ² 8 m
6 m		452 m ² 24 m	50 m ² 8 m
10 m		491 m ² 25 m	50 m ² 8 m

Subject to technical changes and misprints

additional information at: www.theben.de/product/2080020

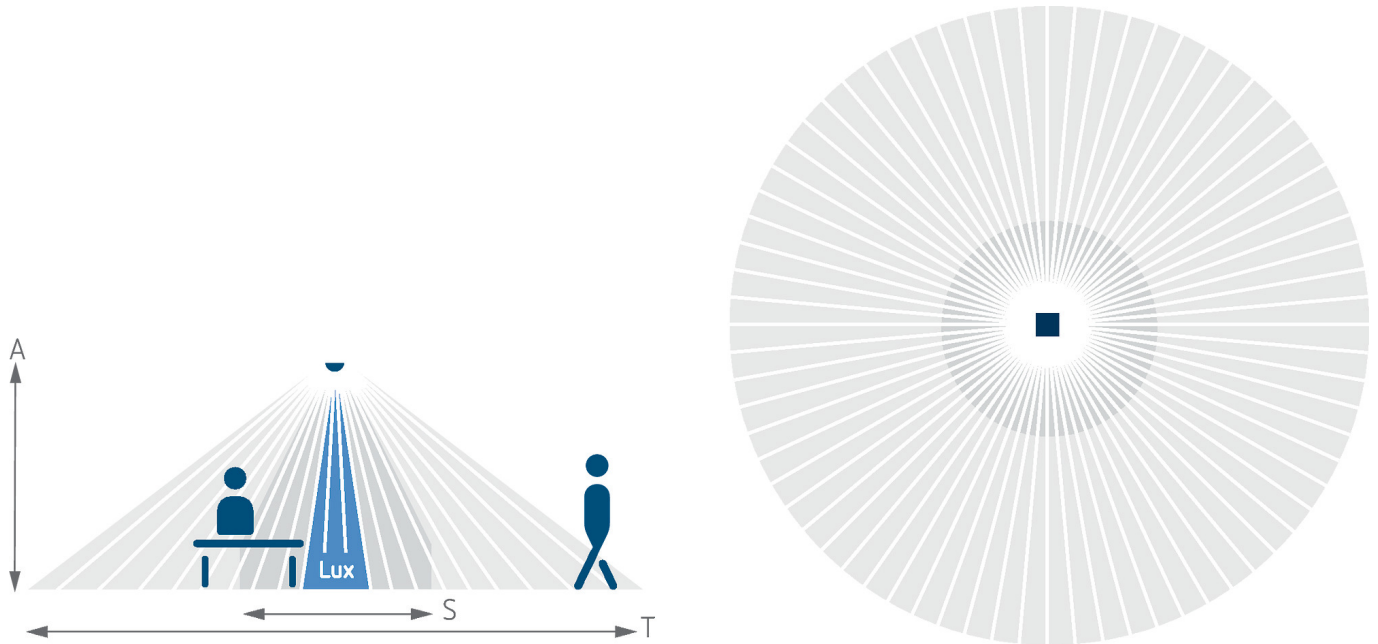
The load data are determined with exemplary selected illuminants and are therefore typical data due to the large number of available products.

theRonda P360-100 M UP WH

Item no.: 2080020

theben

Detection range for planning applications at a temperature of 21 °C



Detection range according to Sensnorm IEC 63180

Mounting height (A)	Diagonally (T)	Head on to (R)	Sitting (S)
2.5 m	434 m ² 23.5 m	55 m ² 8.4 m	50 m ² 8 m
10 m	707 m ² 30 m	79 m ² 10 m	
15 m	616 m ² 28 m	141 m ² 13.4 m	

Subject to technical changes and misprints

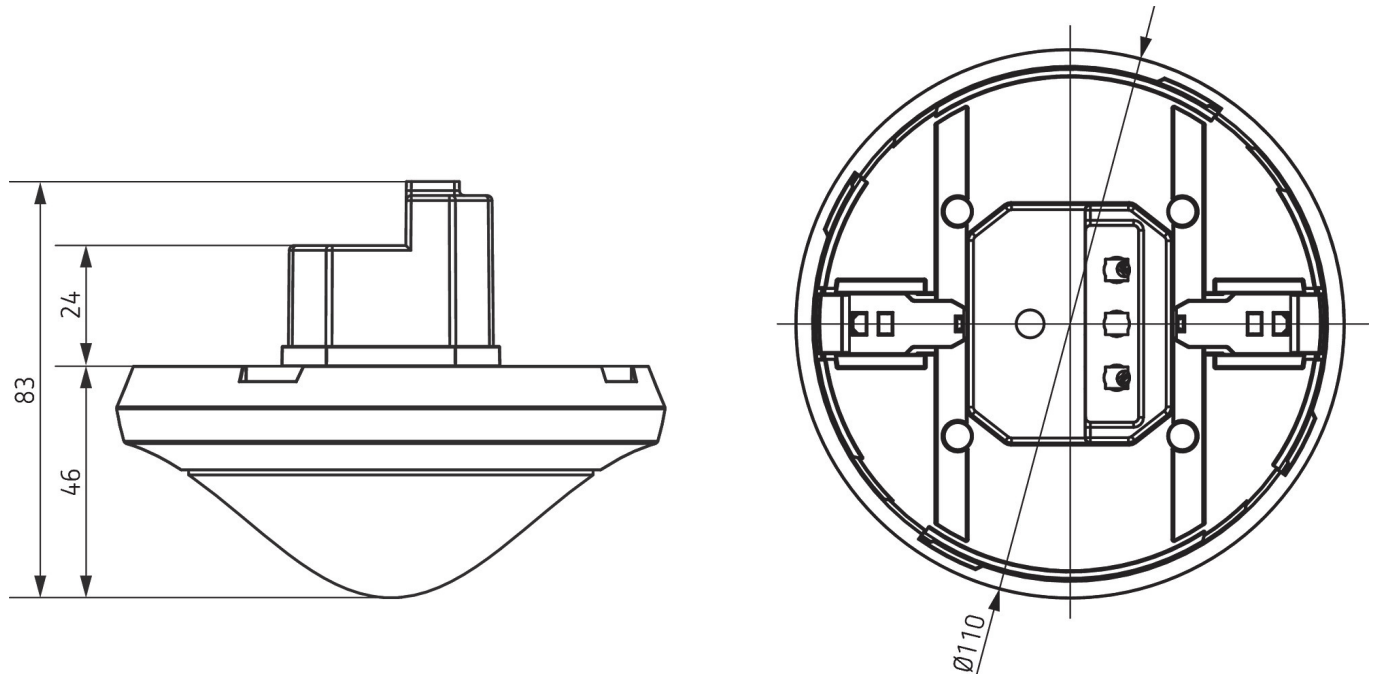
additional information at: www.theben.de/product/2080020

The load data are determined with exemplary selected illuminants and are therefore typical data due to the large number of available products.

theRonda P360-100 M UP WH

Item no.: 2080020

Scale drawings



Accessories

theSenda P

Item no.: 9070910



theSenda S

Item no.: 9070911



Surface frame 110A GR

Item no.: 9070913



Ceiling installation box 73A

Item no.: 9070917

Surface frame 110A WH

Item no.: 9070912



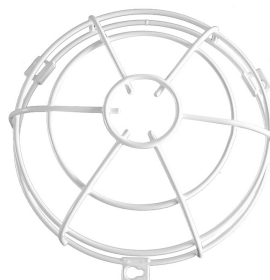
Masking clip

Item no.: 9070921



QuickSafe

Item no.: 9070531



theSenda B

Item no.: 9070985



Subject to technical changes and misprints

additional information at: www.theben.de/product/2080020

The load data are determined with exemplary selected illuminants and are therefore typical data due to the large number of available products.

theRonda P360-100 M UP WH

Item no.: 2080020



Accessories

Cover 110 GR

Item no.: 9070591



Ceiling installation box 68A

Item no.: 9070992



Surface frame 110A BK

Item no.: 9070600



Cover 110 BK

Item no.: 9070851



Subject to technical changes and misprints

additional information at: www.theben.de/product/2080020

The load data are determined with exemplary selected illuminants and are therefore typical data due to the large number of available products.

30/04/2026

Page 5 of 5