

thePrema S360 KNX UP BK

Item no.: 2079502

theben

Presence and motion detectors
Ceiling installation indoor

Description

- Passive infra-red presence detector KNX for flush-mounted ceiling installation
- Square detection area 360°, 7 x 7 m, (49 m²) at mounting height 3 m
- 2 channels light and 2 channels presence
- 2 channel light C1, C2 with 1 light measurement
- 2 presence channels C4, C5 can be set individually
- Adaptable 1 channel light measurement
- Mixed light measurement suitable for LEDs, fluorescent lamps (FL/PL/ESL) and halogen/incandescent lamps
- Can be used as fully or semi-automatic, switchable
- Switch or constant light control mode with stand-by function
- Dimmable lighting in switch mode with stand-by function
- Brightness switching value or set point value can be set in lux using parameters, on the device itself or via remote control
- Teaching in of the brightness switching value or the set point value
- Room correction factor setting for brightness measurement calibration
- Light time delay can be set using parameters, on the device itself or via remote control
- Switch on delay and time delay for presence can be set
- Detection sensitivity can be set
- Self-learning time delay
- Reduced time delay in the event of a shorter stay in the room (short presence)
- Scenario functions
- Extremely easy setting of energy saving characteristics with the new "eco plus" function
- Test mode for checking function and detection range
- Parallel switching of several detectors in Master/Slave or Master/Master possible
- User remote control and management-remote control (optional)
- Room monitoring
- * According to warranty terms and conditions, see www.theben.de/en/guarantee



Subject to technical changes and misprints

additional information at: www.theben.de/product/2079502

The load data are determined with exemplary selected illuminants and are therefore typical data due to the large number of available products.

thePrema S360 KNX UP BK

Item no.: 2079502

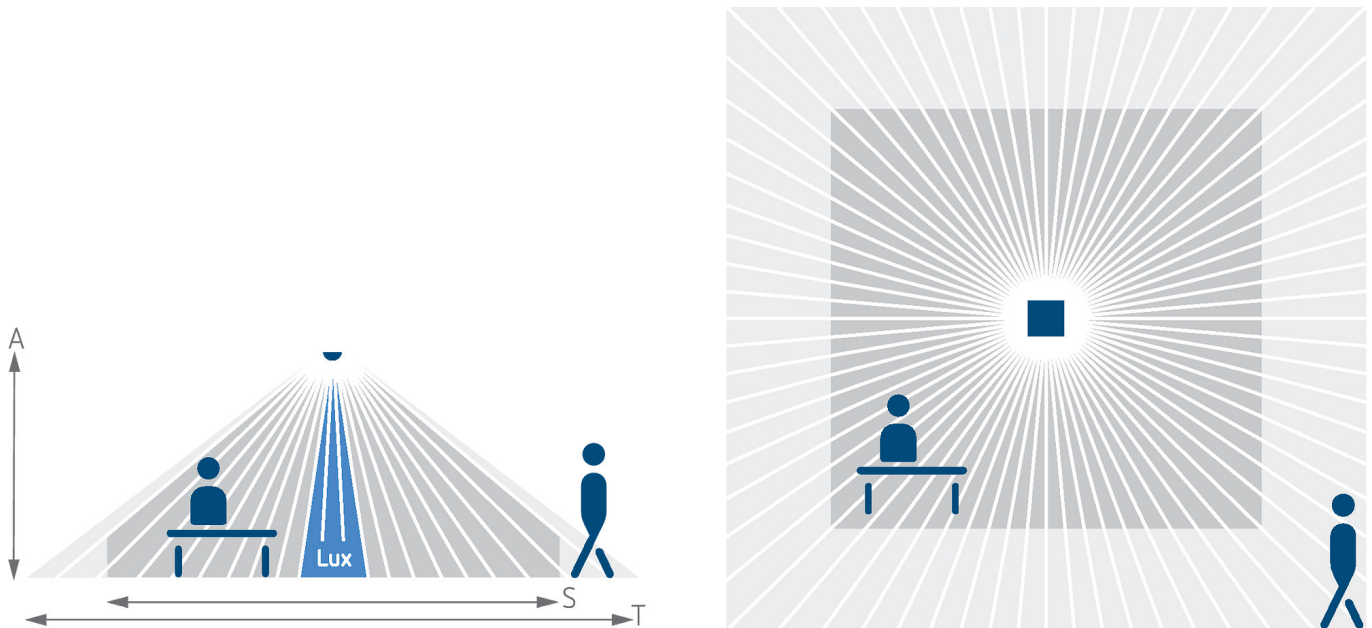


Technical data

thePrema S360 KNX UP BK		thePrema S360 KNX UP BK	
Installation height	2 - 3.5 m	Light measurement	Mixed light measurement
Minimum height	1.7 m	Presence switch-off delay	10 s - 120 min
Detection angle	360°	Switch-on delay presence	10 s - 30 min / inactive
Type of connection	KNX bus terminal	Ambient temperature	0°C ... 50°C
Installation type	Ceiling installation, Flush-mounted	Detection range	49 m² (7 x 7 m)
Light switch-off delay	30 s - 60 min	Colour	Black
Lamp types	Energy saving lamps, fluorescent lamps, Incandescent/halogen lamps, LEDs	Type of protection	IP 40 (when fitted)

Detection range for planning applications at a temperature of 21 °C

Mounting height (A)	Sitting (S)	Walking (T)
2 m	9 m² 3 m x 3 m	20 m² 4.5 m x 4.5 m ± 0.5 m
2.5 m	16 m² 4 m x 4 m	36 m² 6 m x 6 m ± 0.5 m
3 m	25 m² 5 m x 5 m	49 m² 7 m x 7 m ± 1 m
3.5 m		64 m² 8 m x 8 m ± 1 m



Detection range according to Sensnorm IEC 63180

Mounting height (A)	Diagonally (T)	Head on to (R)	Sitting (S)
2.5 m	40 m² 6.3 m x 6.3 m	22 m² 4.7 m x 4.7 m	20 m² 4.5 m x 4.5 m

Subject to technical changes and misprints

additional information at: www.theben.de/product/2079502

The load data are determined with exemplary selected illuminants and are therefore typical data due to the large number of available products.

27/05/2026

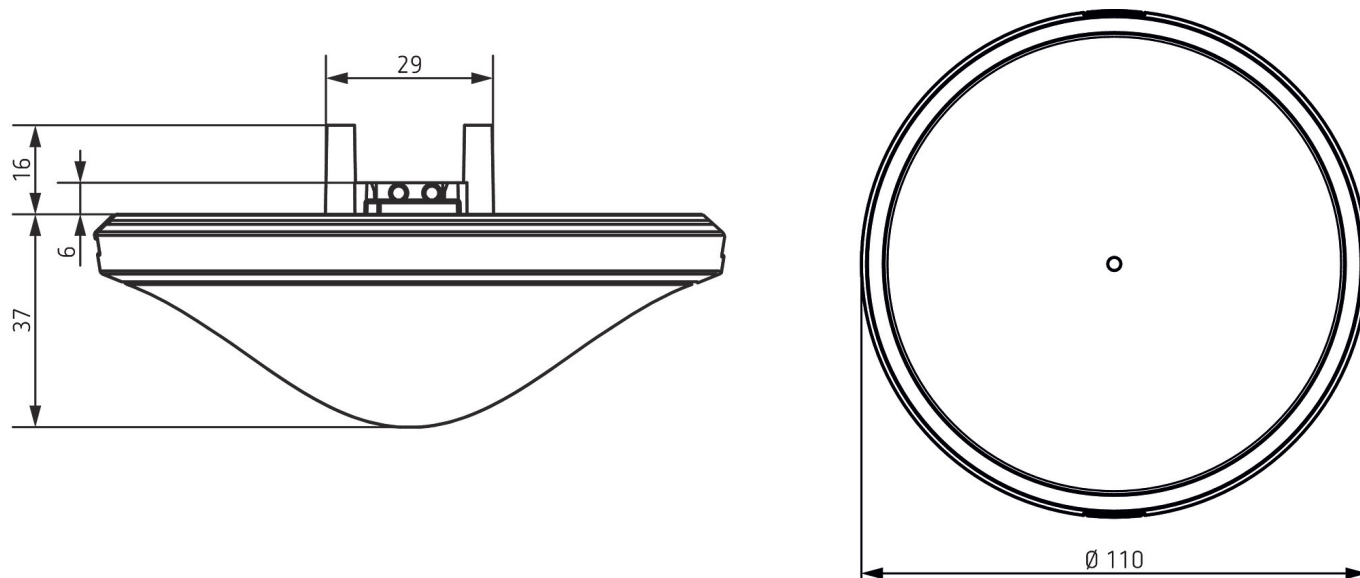
Page 2 of 4

thePrema S360 KNX UP BK

Item no.: 2079502



Scale drawings



Accessories

theSenda P

Item no.: 9070910



theSenda S

Item no.: 9070911



Surface frame 110A GR

Item no.: 9070913



Surface frame 110B GR

Item no.: 9070919

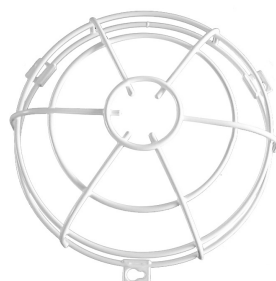


Ceiling installation box 73A

Item no.: 9070917

QuickSafe

Item no.: 9070531



theSenda B

Item no.: 9070985



Ceiling installation box 68A

Item no.: 9070992



Subject to technical changes and misprints

additional information at: www.theben.de/product/2079502

The load data are determined with exemplary selected illuminants and are therefore typical data due to the large number of available products.

27/05/2026

Page 3 of 4

thePrema S360 KNX UP BK

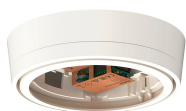
Item no.: 2079502



Accessories

Set basic KNX AP Multi WH

Item no.: 9070900



Surface frame 110A BK

Item no.: 9070600



Surface frame 110B WH

Item no.: 9070435

