

thePrema S360 Slave E UP GR

Item no.: 2070631

theben

Presence and motion detectors
Ceiling installation indoor

Description

- Passive infra-red presence detector for flush-mounted ceiling installation
- Square detection area 360°
- Slave version for thePrema master presence detectors
- Ready for immediate use due to factory preset
- Test mode for checking function and detection area
- Extension of detection area via Master/Slave or Master/Master switching, a maximum of 10 detectors can be switched in parallel with each other
- Ceiling installation in flush-mounted socket
- Ceiling installation also possible with surface-mounted frame
- User remote control theSenda S, management remote control SendaPro (optional)
- * According to warranty terms and conditions, see www.theben.de/en/guarantee



5 years
guarantee*



Subject to technical changes and misprints

additional information at: www.theben.de/product/2070631

The load data are determined with exemplary selected illuminants and are therefore typical data due to the large number of available products.

thePrema S360 Slave E UP GR

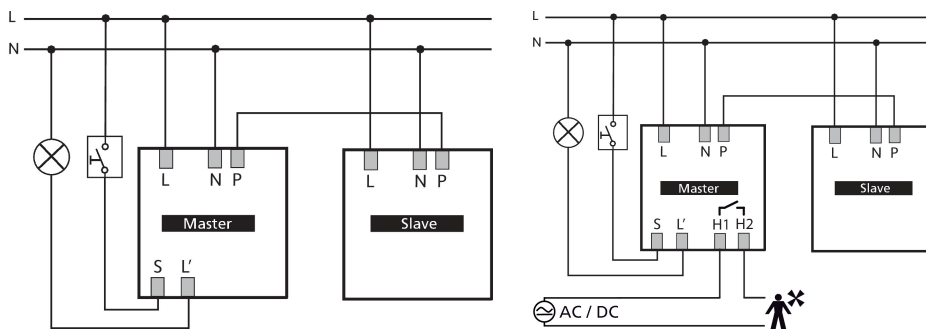
Item no.: 2070631



Technical data

thePrema S360 Slave E UP GR		thePrema S360 Slave E UP GR	
Operating voltage	110 - 230 ± 10 % V AC	Lamp types	Incandescent/halogen lamps, fluorescent lamps, Energy saving lamps, LEDs
Frequency	50 - 60 Hz	Type of connection	Screw terminals
Installation height	2 - 3 m	Max. cable cross section	max. 2 x 2,5 mm ²
Minimum height	1.7 m	Size of concealed housing	55 mm
Installation type	Ceiling installation, Flush-mounted	Detection range	49 m ² (7 x 7 m)
Colour	Grey	Detection angle	360°
Switching output	Slave	Ambient temperature	0°C ... 50°C
Power consumption	~0.1 W	Type of protection	IP 40 (when fitted)
Light measurement	Mixed light measurement		

Connection example



Detection range for planning applications at a temperature of 21 °C

Mounting height (A)	Sitting (S)	Walking (T)
2 m	9 m ² 3 m x 3 m	20 m ² 4.5 m x 4.5 m ± 0.5 m
2.5 m	16 m ² 4 m x 4 m	36 m ² 6 m x 6 m ± 0.5 m
3 m	25 m ² 5 m x 5 m, 25 m ² 5 m x 5 m	49 m ² 7 m x 7 m ± 1 m
3.5 m		64 m ² 8 m x 8 m ± 1 m

Subject to technical changes and misprints

additional information at: www.theben.de/product/2070631

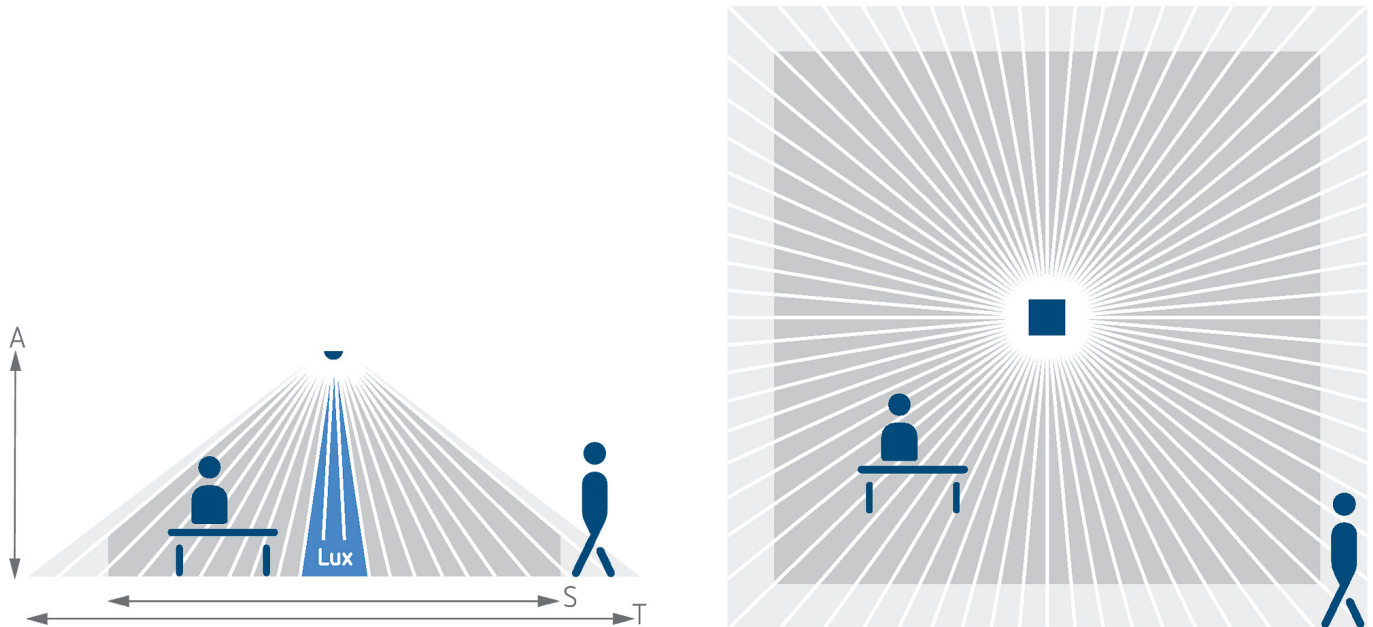
The load data are determined with exemplary selected illuminants and are therefore typical data due to the large number of available products.

thePrema S360 Slave E UP GR

Item no.: 2070631



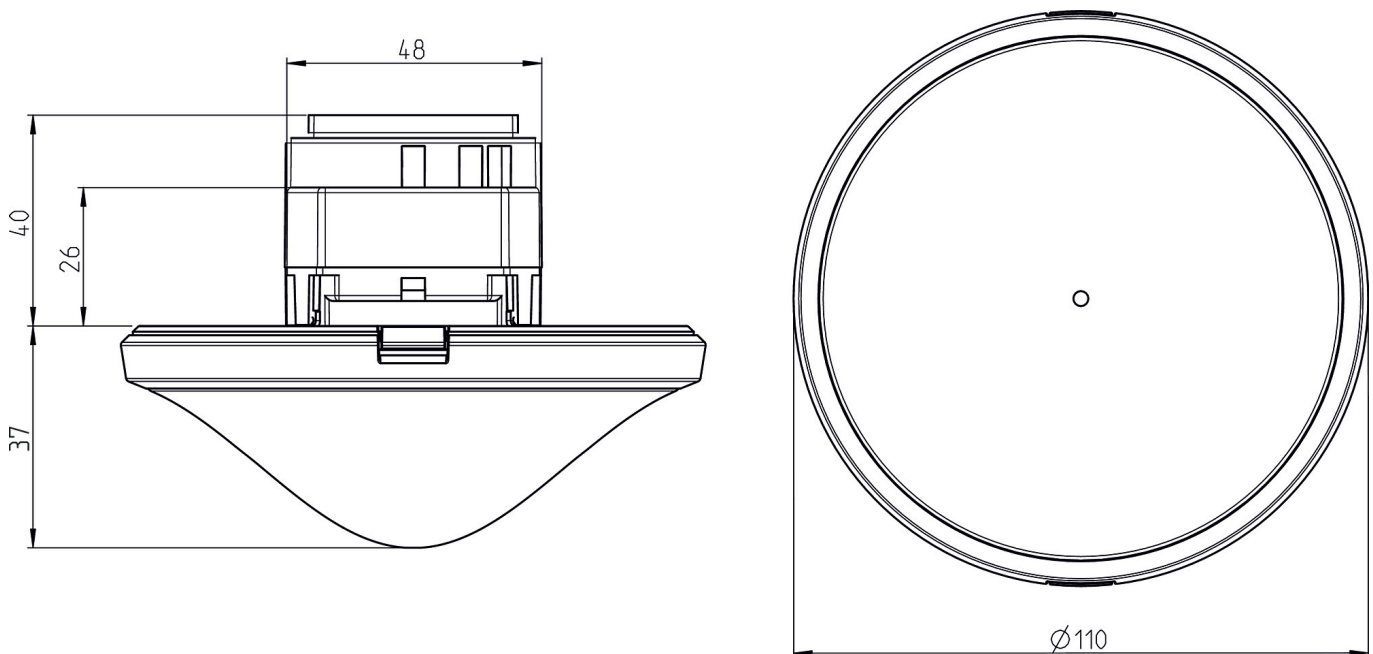
Detection range for planning applications at a temperature of 21 °C



Detection range according to Sensnorm IEC 63180

Mounting height (A)	Diagonally (T)	Head on to (R)	Sitting (S)
2.5 m	40 m ² 6.3 m x 6.3 m	22 m ² 4.7 m x 4.7 m	20 m ² 4.5 m x 4.5 m

Scale drawings



Subject to technical changes and misprints

additional information at: www.theben.de/product/2070631

The load data are determined with exemplary selected illuminants and are therefore typical data due to the large number of available products.

thePrema S360 Slave E UP GR

Item no.: 2070631



Accessories

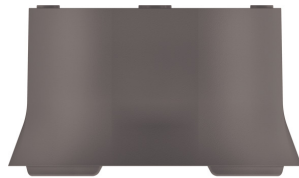
theSenda P

Item no.: 9070910



Surface frame 110A GR

Item no.: 9070913

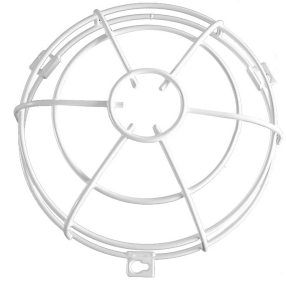


Ceiling installation box 73A

Item no.: 9070917

QuickSafe

Item no.: 9070531



theSenda B

Item no.: 9070985



Ceiling installation box 68A

Item no.: 9070992



Subject to technical changes and misprints

additional information at: www.theben.de/product/2070631

The load data are determined with exemplary selected illuminants and are therefore typical data due to the large number of available products.