

theMura P180 2.20 KNX UP WH

Item no.: 2069658

Presence and motion detectors
Wall installation indoor

Description

- Passive infrared presence detector for wall mounting flush-mounted, Data Secure
- Rectangular detection area 170°, 16 x 10 m (160 m²) at 2.2 m mounting height
- 2 channels light and 2 channels HVAC
- Switching or constant light control with stand-by functionality (orientation light)
- Dimmable lighting in switching mode with and without daylight influence
- Simple adjustment of brightness measurement
- Short-time presence
- Selectable control speed
- Aura function
- Scene functionality
- Integrated orientation light (white)
- Integrated temperature sensor
- Acoustic function
- 2 binary inputs
- 6 logic channels (AND, OR, XOR)
- KNX Data-Secure
- Operation as fully or semi-automatic possible
- Integrated, freely parameterisable push-button (can be deactivated)
- Manual override via external KNX push-button possible
- One directional brightness measurement (mixed light measurement)
- Teach-in function
- Locking functions
- HVAC channel without brightness influence
- Switch-on delay and follow-up time of HVAC channel adjustable
- Extension of the detection range by master/slave or master/master switching
- Detection sensitivity adjustable
- Test mode for checking function and detection range
- Settings via ETS software (full range of functions)
- Limited setting options with app/universal remote control theSenda B
- Limited setting possibilities with service remote control theSenda P
- With Theben cover frame



Technical data

theMura P180 2.20 KNX UP WH		theMura P180 2.20 KNX UP WH	
Detection angle	170°	Installation type	Wall installation, Flush-mounted
Type of connection	KNX bus terminal	Light switch-off delay	30 s - 60 min

Subject to technical changes and misprints

additional information at: www.theben.de/product/2069658

The load data are determined with exemplary selected illuminants and are therefore typical data due to the large number of available products.

theMura P180 2.20 KNX UP WH

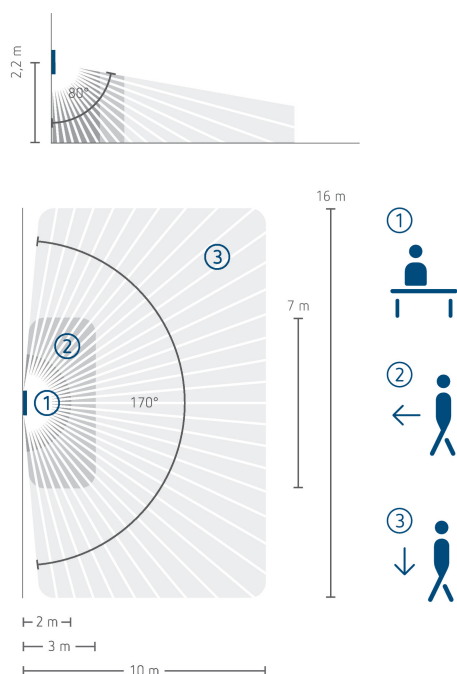
Item no.: 2069658

Technical data

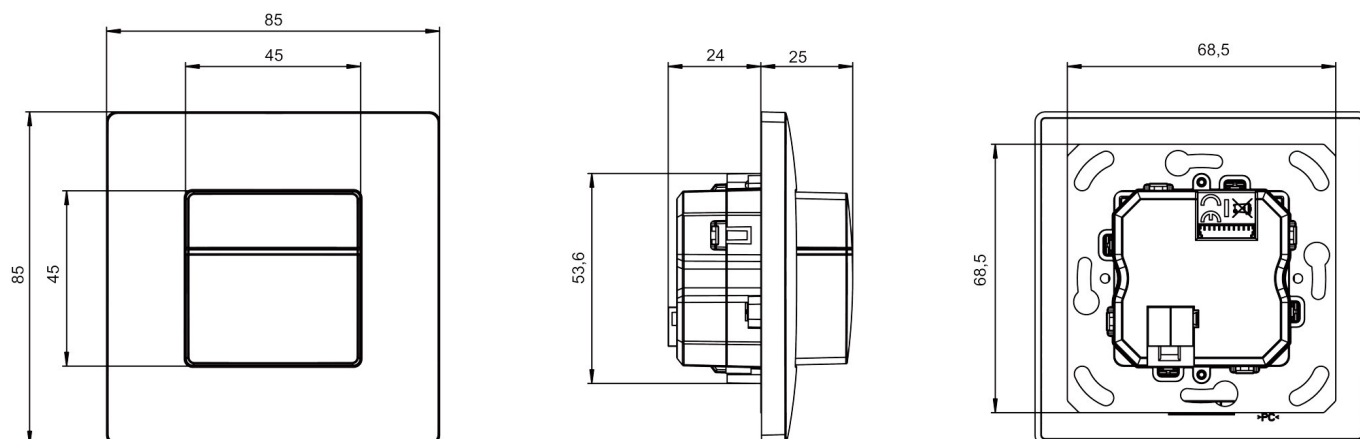
theMura P180 2.20 KNX UP WH		theMura P180 2.20 KNX UP WH	
Light measurement	Mixed light measurement	Colour	White
Presence switch-off delay	10 s - 120 min	Type of protection	IP 20
Ambient temperature	-15°C ... 45°C	Predecessor	2009050, PresenceLight 180B-KNX WH
Detection range	238 m ² (14 x 17 m)		

Detection range for planning applications at a temperature of 21 °C

Montagehöhe (A)	Frontal gehend (R)	Quer gehend (t)	Sitzend (S)
2,2 m	21 m ² 7 m x 3 m	160 m ² 16 m x 10 m	



Scale drawings



Subject to technical changes and misprints

additional information at: www.theben.de/product/2069658

The load data are determined with exemplary selected illuminants and are therefore typical data due to the large number of available products.

theMura P180 2.20 KNX UP WH

Item no.: 2069658



Accessories

theSenda P

Item no.: 9070910



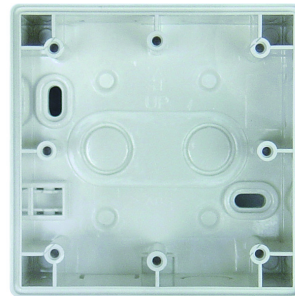
theSenda S

Item no.: 9070911



Surface frame LUXA 103-200

Item no.: 9070504



theSenda B

Item no.: 9070985



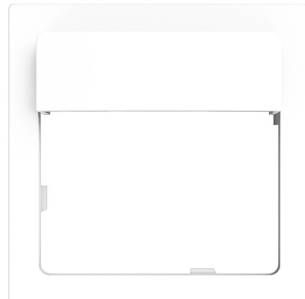
Adapter frame 45A BJBSI WH

Item no.: 9070788



Adapter frame 45A MMP WH

Item no.: 9070790



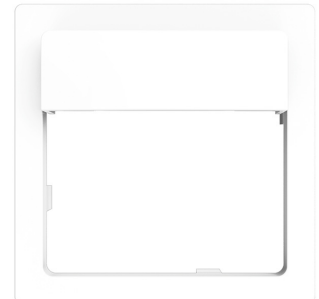
Adapter frame 45A GS WH

Item no.: 9070791



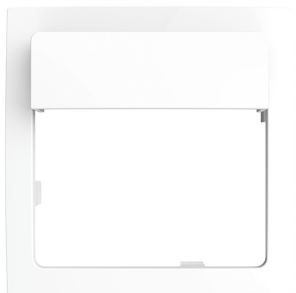
Adapter frame 45A JAS WH

Item no.: 9070789



Adapter frame 45A BS WH

Item no.: 9070792



Adapter frame 45A BJRE WH

Item no.: 9070754



Subject to technical changes and misprints

additional information at: www.theben.de/product/2069658

The load data are determined with exemplary selected illuminants and are therefore typical data due to the large number of available products.