

theMura S180-100 2W UP WH

Item no.: 2060670

theben

Presence and motion detectors
Wall installation indoor

Description

- Passive infra-red motion detector for wall installation
- Square detection area 170°, 14 x 17 m (238 m²)
- 1 channel light, 2-wire version in combination with an ELPA staircase time switch for switching the lamp loads
- Adjustable brightness switching value, teach-in function
- Ideal for replacing existing buttons
- Switch-on delay configurable on the staircase time switch
- Parallel connection possible (up to 12 detectors towards an ELPA)
- Restriction of detection area possible
- Mixed light measurement suitable for the control of fluorescent, incandescent, halogen lamps and LEDs
- Integrated button (can be blocked)
- Easy setup with potentiometers
- Product design by ID AID



Technical data

theMura S180-100 2W UP WH	
Operating voltage	230 V AC
Frequency	50 - 60 Hz
Installation height	0.8 - 1.2 m
Installation type	Wall installation, Flush-mounted
Colour	White
Switching output	Light
Power consumption	~0.4 W
Light measurement	Mixed light measurement

theMura S180-100 2W UP WH	
Setting range brightness	5 - 1000 lx
Type of connection	Spring terminals
Size of concealed housing	55 mm
Detection range	238 m² (14 x 17 m)
Detection angle	170°
Ambient temperature	-15°C ... 45°C
Type of protection	IP 20

Subject to technical changes and misprints

additional information at: www.theben.de/product/2060670

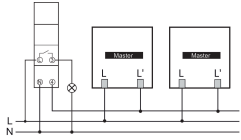
The load data are determined with exemplary selected illuminants and are therefore typical data due to the large number of available products.

theMura S180-100 2W UP WH

Item no.: 2060670

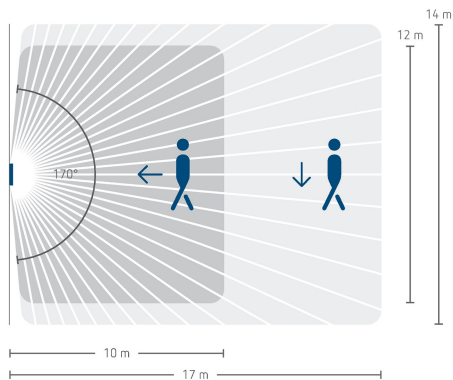
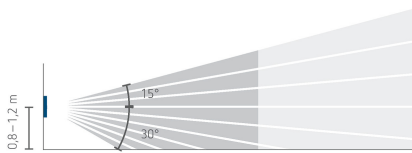


Connection example



Detection range for planning applications at a temperature of 21 °C

Mounting height (A)	Head on to (R)	Diagonally (t)	Sitting (S)
1.2 m	120 m ² 12 m x 10 m	238 m ² 14 m x 17 m	



Subject to technical changes and misprints

additional information at: www.theben.de/product/2060670

The load data are determined with exemplary selected illuminants and are therefore typical data due to the large number of available products.

theMura S180-100 2W UP WH

Item no.: 2060670

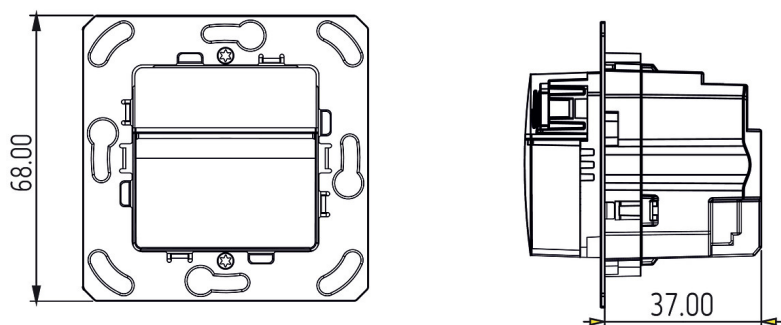


Scale drawings

theMura S180-100 UP WH (2060650) + theMura S180-101 UP WH (2060655)



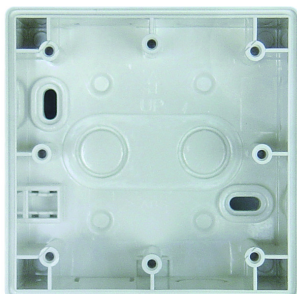
theMura S180-100 UP (2060750) + theMura S180-101 B UP (2060755)



Accessories

Surface frame LUXA 103-200

Item no.: 9070504



Subject to technical changes and misprints

additional information at: www.theben.de/product/2060670

The load data are determined with exemplary selected illuminants and are therefore typical data due to the large number of available products.

27/05/2026

Page 3 of 3