

PlanoSpot 360 DALI-2 S DE WH

Item no.: 2030190

Presence and motion detectors
Ceiling installation indoor

Description

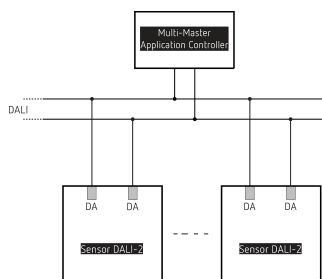
- Passive infra-red presence sensor for ceiling installation in false ceilings, DALI-2 certified
- Square detection area 360°, 7 x 7 m, (49 m²) at mounting height 3 m
- This device provides information about presence and brightness in the form of a DALI telegram in line with IEC 62386 Part 303/304
- 2 instances for presence - detection zone standard/reduced
- Optics can be tilted to adjust the detection area
- 3 mixed light measurements
- 4 instances for brightness - interior/centre/window/integral
- Easy to calibrate brightness measurement
- Test mode for checking function and detection area
- Configurable detection sensitivity
- Can be configured via DALI bus or remote control
- The «theSenda S» or «theSenda B» user remote controls can be used to dim or switch the lamps, to control the blinds, or to execute additional functions via the higher-level control
- Flat design with interchangeable bezel frame in different colours



Technical data

PlanoSpot 360 DALI-2 S DE WH		PlanoSpot 360 DALI-2 S DE WH	
Operating voltage	DALI	Light measurement	Mixed light measurement
Installation height	2 - 3 m	Ambient temperature	0°C ... 50°C
Maximum height	3.5 m	Detection range	49 m ² (7 x 7 m)
Minimum height	1.7 m	Colour	White
Detection angle	360°	Type of protection	IP 20
Type of connection	Screw terminals		
Installation type	Ceiling installation		

Connection example



Subject to technical changes and misprints

additional information at: www.theben.de/product/2030190

The load data are determined with exemplary selected illuminants and are therefore typical data due to the large number of available products.

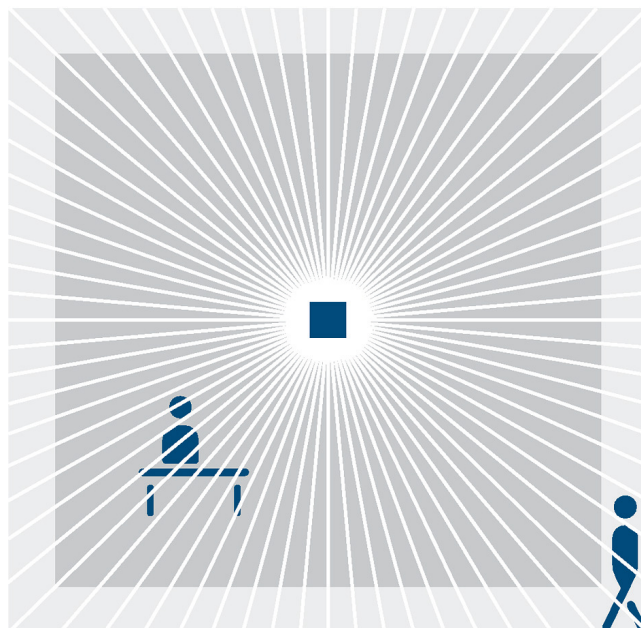
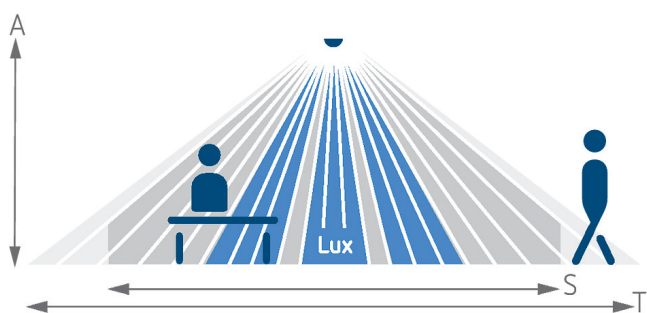
PlanoSpot 360 DALI-2 S DE WH

Item no.: 2030190

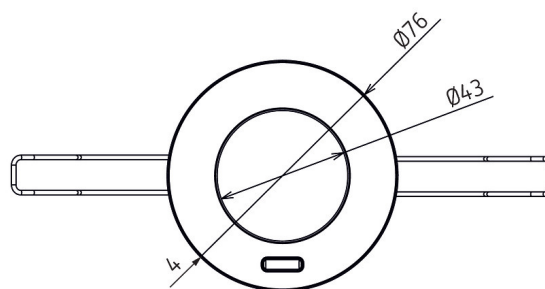
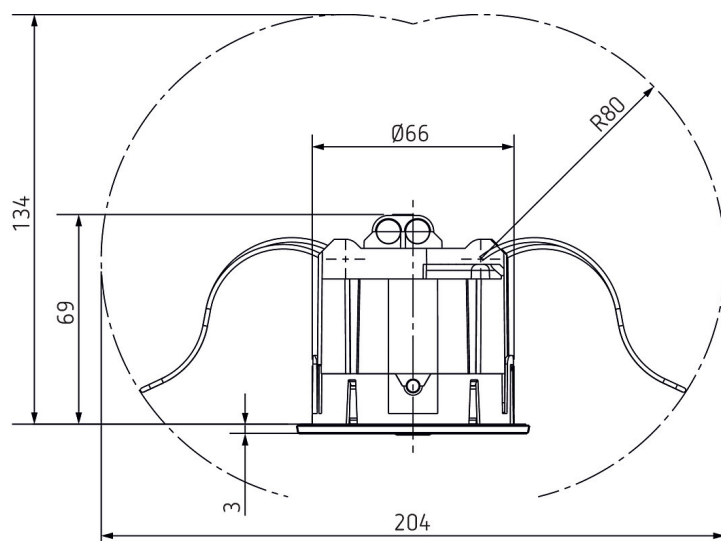


Detection range for planning applications at a temperature of 21 °C

Mounting height (A)	Sitting (S)	Walking (T)
2 m	9 m ² 3 m x 3 m	20 m ² 4.5 m x 4.5 m ± 0.5 m
2.5 m	16 m ² 4 m x 4 m	36 m ² 6 m x 6 m ± 0.5 m
3 m	20 m ² 4.5 m x 4.5 m	49 m ² 7 m x 7 m ± 1 m
3.5 m		64 m ² 8 m x 8 m



Scale drawings



Subject to technical changes and misprints

additional information at: www.theben.de/product/2030190

The load data are determined with exemplary selected illuminants and are therefore typical data due to the large number of available products.

30/04/2026

Page 2 of 3

PlanoSpot 360 DALI-2 S DE WH

Item no.: 2030190



Accessories

theSenda P

Item no.: 9070910



theSenda S

Item no.: 9070911



PlanoCover 76 BK

Item no.: 9070977



PlanoCover 76 SR

Item no.: 9070978



theSenda B

Item no.: 9070985



Surface frame 75B WH

Item no.: 9070796



Surface frame 75B BK

Item no.: 9070824



Subject to technical changes and misprints

additional information at: www.theben.de/product/2030190

The load data are determined with exemplary selected illuminants and are therefore typical data due to the large number of available products.

30/04/2026

Page 3 of 3