

# thePassa P360 KNX UP WH

Item no.: 2019300

**theben**

## Presence and motion detectors Ceiling installation indoor

### Description

---

- Passive infra-red presence detector KNX for flush-mounted ceiling installation
- Rectangular detection area 360°, 30 x 4,5 m, (135 m<sup>2</sup>) at mounting height 3 m, for corridors and storage areas, with 2 individually connectable and disconnectable detection zones
- 2 channels light and 2 channels presence
- 2 channel light C1, C2 with 2 light measurements
- 2 presence channels can be parametrized individually
- Adaptable 2 channel light measurement
- Function aura effect, switches on the lighting group when there is a person in its detection area and dims the adjacent lighting groups
- Function chaser light, recognises the direction of movement of the people in the room and "predictively" switches on the adjacent lighting group
- Function walking direction recognition
- Mixed light measurement suitable for LEDs, fluorescent lamps (FL/PL/ESL) and halogen/incandescent lamps
- Can be used as fully or semi-automatic, switchable
- Switch or constant light control mode with stand-by function
- Dimmable lighting in switch mode with stand-by function
- Brightness switching value or set point value can be set in lux using parameters, on the device itself or via remote control
- Teaching in of the brightness switching value or the set point value
- Room correction factor setting for brightness measurement calibration
- Light time delay can be set using parameters, on the device itself or via remote control
- Switch on delay and time delay for presence can be set
- Detection sensitivity can be set
- Reduced time delay in the event of a shorter stay in the room (short presence)
- Scenario functions
- Test mode for checking function and detection range
- Sensitivity adjustable
- Detection area can be limited using cover clip
- Manual override using telegram or remote control
- Parallel switching of several detectors in Master/Slave or Master/Master possible
- Ceiling installation in flush-mounted socket
- Ceiling installation also possible with surface-mounted frame
- User remote control and management-remote control (optional)



Subject to technical changes and misprints

additional information at: [www.theben.de/product/2019300](http://www.theben.de/product/2019300)

The load data are determined with exemplary selected illuminants and are therefore typical data due to the large number of available products.

# thePassa P360 KNX UP WH

Item no.: 2019300

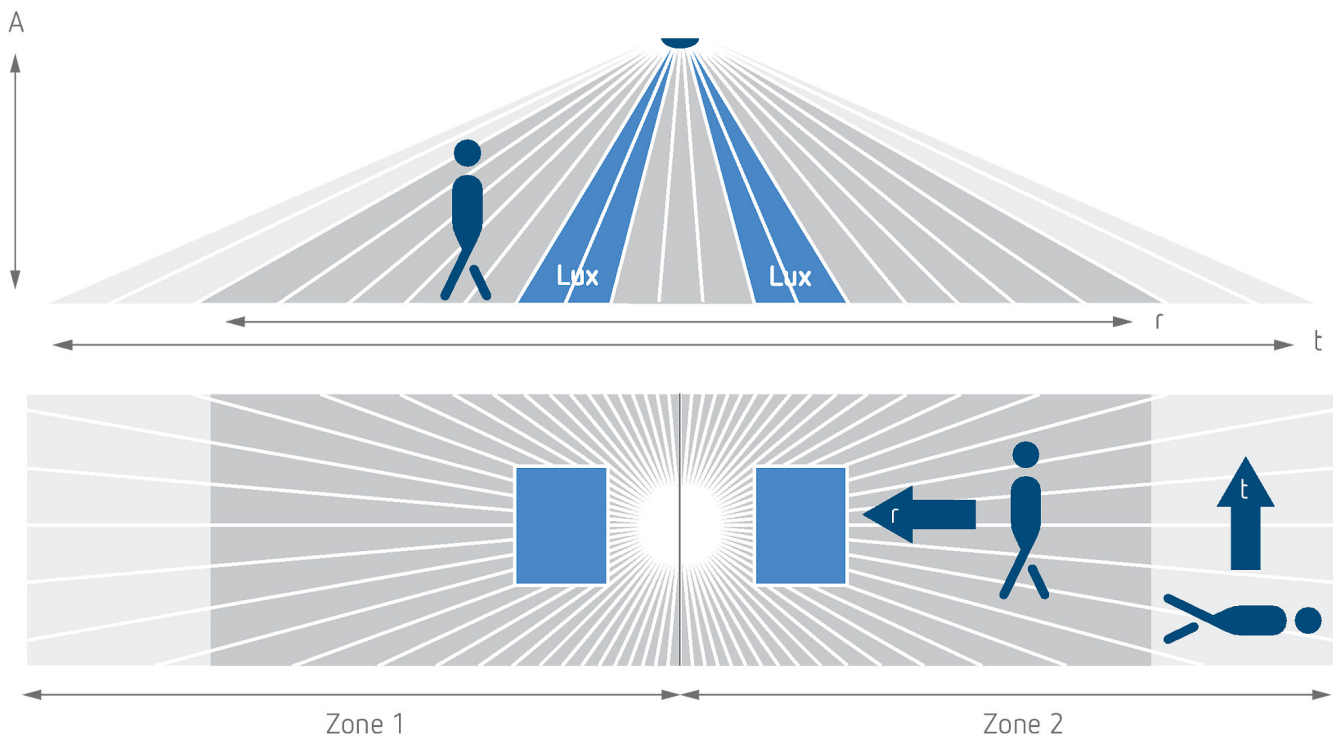


## Technical data

thePassa P360 KNX UP WH		thePassa P360 KNX UP WH	
Installation height	2 - 6 m	Light measurement	Mixed light measurement
Maximum height	15 m	Presence switch-off delay	10 s - 120 min
Minimum height	1.7 m	Switch-on delay presence	10 s - 30 min / inactive
Detection angle	360°	Ambient temperature	-15°C ... 50°C
Type of connection	KNX bus terminal	Detection range	150 m <sup>2</sup> (30 x 5 m)
Installation type	Ceiling installation	Colour	White
Light switch-off delay	30 s - 60 min	Type of protection	IP 54 (when fitted)
Lamp types	Energy saving lamps, fluorescent lamps, Incandescent/halogen lamps, LEDs		

## Detection range for planning applications at a temperature of 21 °C

Mounting height (A)	Diagonally (t)	Head on to (R)
2 m	56 m <sup>2</sup>   16 m x 3.5 m	56 m <sup>2</sup>   16 m x 3.5 m
2.5 m	88 m <sup>2</sup>   22 m x 4 m	72 m <sup>2</sup>   18 m x 4 m
3 m	135 m <sup>2</sup>   30 m x 4.5 m	90 m <sup>2</sup>   20 m x 4.5 m
3.5 m	150 m <sup>2</sup>   30 m x 5 m	100 m <sup>2</sup>   20 m x 5 m
4 m	150 m <sup>2</sup>   30 m x 5 m	100 m <sup>2</sup>   20 m x 5 m
4.5 m	150 m <sup>2</sup>   30 m x 5 m	100 m <sup>2</sup>   20 m x 5 m
5 m	150 m <sup>2</sup>   30 m x 5 m	100 m <sup>2</sup>   20 m x 5 m
5.5 m	150 m <sup>2</sup>   30 m x 5 m	100 m <sup>2</sup>   20 m x 5 m
6 m	150 m <sup>2</sup>   30 m x 5 m	100 m <sup>2</sup>   20 m x 5 m



Subject to technical changes and misprints

additional information at: [www.theben.de/product/2019300](http://www.theben.de/product/2019300)

The load data are determined with exemplary selected illuminants and are therefore typical data due to the large number of available products.

30/04/2026

Page 2 of 4

# thePassa P360 KNX UP WH

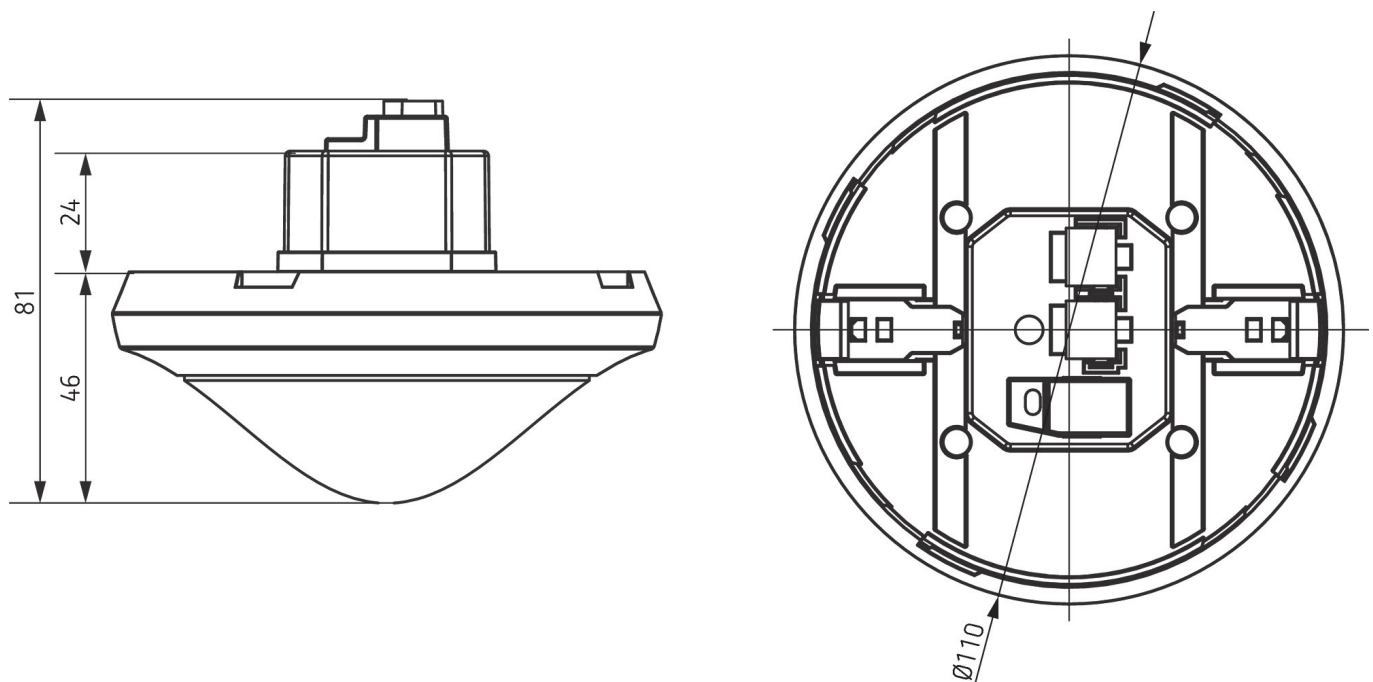
Item no.: 2019300



## Detection range according to Sensnorm IEC 63180

Mounting height (A)	Diagonally (T)	Head on to (R)
2.5 m	215 m <sup>2</sup>   43 m x 5 m	62 m <sup>2</sup>   14.8 m x 4.2 m
6 m	550 m <sup>2</sup>   50 m x 11 m	495 m <sup>2</sup>   45 m x 11 m
15 m	800 m <sup>2</sup>   40 m x 20 m	600 m <sup>2</sup>   30 m x 20 m

## Scale drawings



## Accessories

**theSenda P**  
Item no.: 9070910



**theSenda S**  
Item no.: 9070911



**Ceiling installation box 73A**  
Item no.: 9070917

**Surface frame 110A WH**  
Item no.: 9070912



Subject to technical changes and misprints

additional information at: [www.theben.de/product/2019300](http://www.theben.de/product/2019300)

The load data are determined with exemplary selected illuminants and are therefore typical data due to the large number of available products.

# thePassa P360 KNX UP WH

Item no.: 2019300

# theben

## Accessories

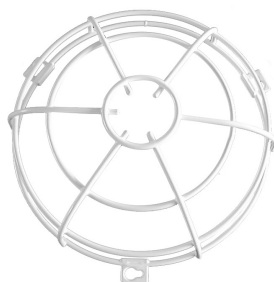
### Masking clip

Item no.: 9070921



### QuickSafe

Item no.: 9070531



### theSenda B

Item no.: 9070985



### Cover 110 GR

Item no.: 9070591



### Ceiling installation box 68A

Item no.: 9070992



### Surface frame 110A BK

Item no.: 9070600



### Cover 110 BK

Item no.: 9070851



Subject to technical changes and misprints

additional information at: [www.theben.de/product/2019300](http://www.theben.de/product/2019300)

The load data are determined with exemplary selected illuminants and are therefore typical data due to the large number of available products.

30/04/2026

Page 4 of 4