

thePassa P360 DALI-2 S UP WH

Item no.: 2010390

Presence and motion detectors
Ceiling installation indoor

Description

- Passive infra-red presence sensor for flush-mounted ceiling installation, DALI-2 certified
- Rectangular detection area 360°, 30 x 4,5 m, (135 m²) at mounting height 3 m, for corridors and storage areas, with 2 individually connectable and disconnectable detection zones
- This device provides information about presence and brightness in the form of a DALI telegram in line with IEC 62386 Part 303/304
- 3 instances for presence – detection area zone 1 + 2 / zone 1 / zone 2
- 2 mixed light measurements
- 3 instances for brightness – detection area zone 1 + 2 / zone 1 / zone 2
- Easy to calibrate brightness measurement
- Test mode for checking function and detection area
- Configurable detection sensitivity
- Can be configured via DALI bus or remote control
- The „theSenda S“ or „theSenda B“ user remote controls can be used to dim or switch the lamps, to control the blinds, or to execute additional functions via the higher-level control
- Ceiling installation in flush-mounted box
- Surface-mounted installation possible with surface frame 110A (optional)
- Area restriction with cover clips (optional)
- „theSenda B“ app remote control (optional) and corresponding „theSenda Plug“ app (for iOS/Android)
- A Multi-Master Application Controller is required for commissioning/control and configuration. According to IEC 62386, this must include parts 101/103 and optionally 301/303/304



Technical data

thePassa P360 DALI-2 S UP WH	
Operating voltage	DALI (9,5 - 22,5 V DC)
Installation height	2 - 6 m
Maximum height	15 m
Minimum height	1.7 m
Installation type	Ceiling installation, Flush-mounted
Colour	White

thePassa P360 DALI-2 S UP WH	
Switching output	Sensor DALI
Power consumption	≤10 mA
Light measurement	Mixed light measurement
Setting range brightness	10 - 10000 lx
Stand-by brightness	1 - 25 %
Type of connection	Screw terminals

Subject to technical changes and misprints

additional information at: www.theben.de/product/2010390

The load data are determined with exemplary selected illuminants and are therefore typical data due to the large number of available products.

thePassa P360 DALI-2 S UP WH

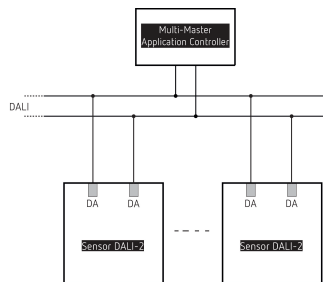
Item no.: 2010390



Technical data

thePassa P360 DALI-2 S UP WH		thePassa P360 DALI-2 S UP WH	
Max. cable cross section	max. 2 x 2,5 mm ²	Detection angle	360°
Size of concealed housing	55 mm	Ambient temperature	-15°C ... 50°C
Detection range	150 m ² (30 x 5 m)	Type of protection	IP 54 (when fitted)

Connection example



Detection range for planning applications at a temperature of 21 °C

Mounting height (A)	Diagonally (t)	Head on to (R)
2 m	56 m ² 16 m x 3.5 m	56 m ² 16 m x 3.5 m
2.5 m	88 m ² 22 m x 4 m	72 m ² 18 m x 4 m
3 m	135 m ² 30 m x 4.5 m	90 m ² 20 m x 4.5 m
3.5 m	150 m ² 30 m x 5 m	100 m ² 20 m x 5 m
4 m	150 m ² 30 m x 5 m	100 m ² 20 m x 5 m
4.5 m	150 m ² 30 m x 5 m	100 m ² 20 m x 5 m
5 m	150 m ² 30 m x 5 m	100 m ² 20 m x 5 m
5.5 m	150 m ² 30 m x 5 m	100 m ² 20 m x 5 m
6 m	150 m ² 30 m x 5 m	100 m ² 20 m x 5 m

Subject to technical changes and misprints

additional information at: www.theben.de/product/2010390

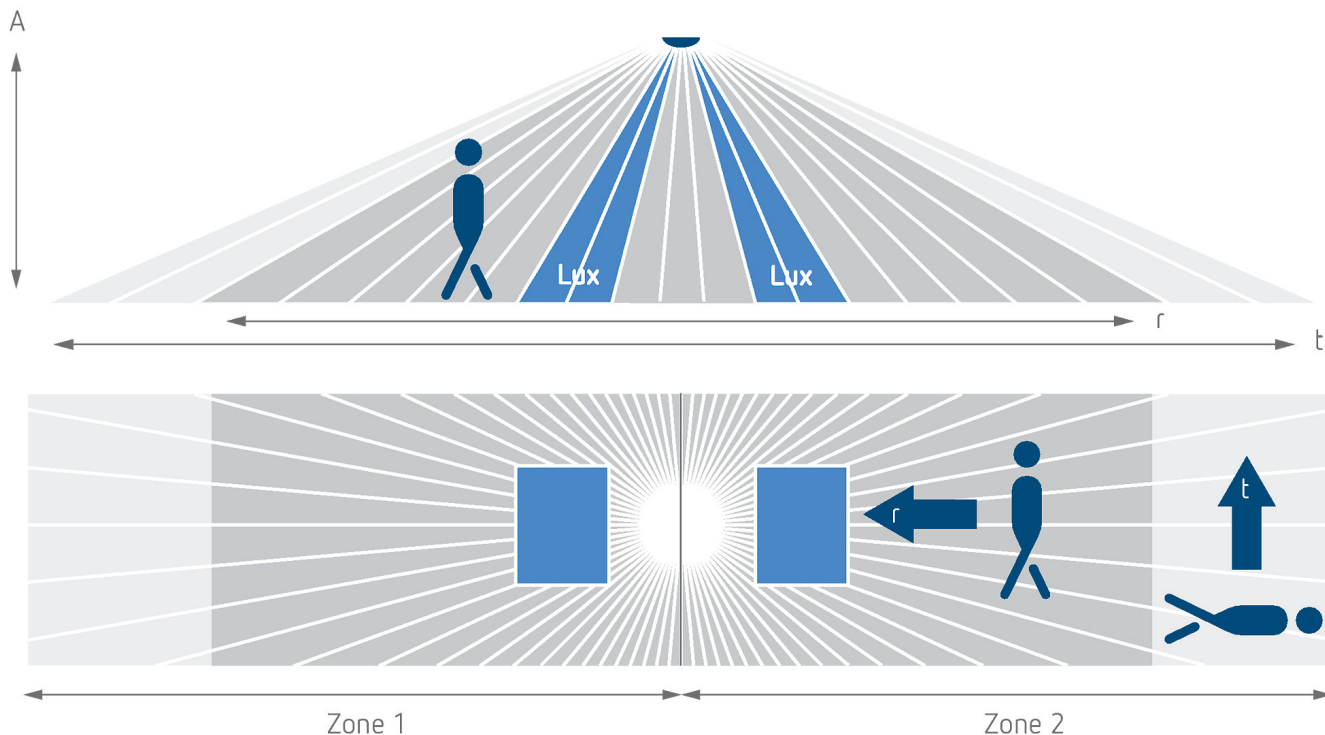
The load data are determined with exemplary selected illuminants and are therefore typical data due to the large number of available products.

thePassa P360 DALI-2 S UP WH

Item no.: 2010390



Detection range for planning applications at a temperature of 21 °C



Detection range according to Sensnorm IEC 63180

Mounting height (A)	Diagonally (T)	Head on to (R)
2.5 m	215 m ² 43 m x 5 m	62 m ² 14.8 m x 4.2 m
6 m	550 m ² 50 m x 11 m	495 m ² 45 m x 11 m
15 m	800 m ² 40 m x 20 m	600 m ² 30 m x 20 m

Subject to technical changes and misprints

additional information at: www.theben.de/product/2010390

The load data are determined with exemplary selected illuminants and are therefore typical data due to the large number of available products.

28/05/2026

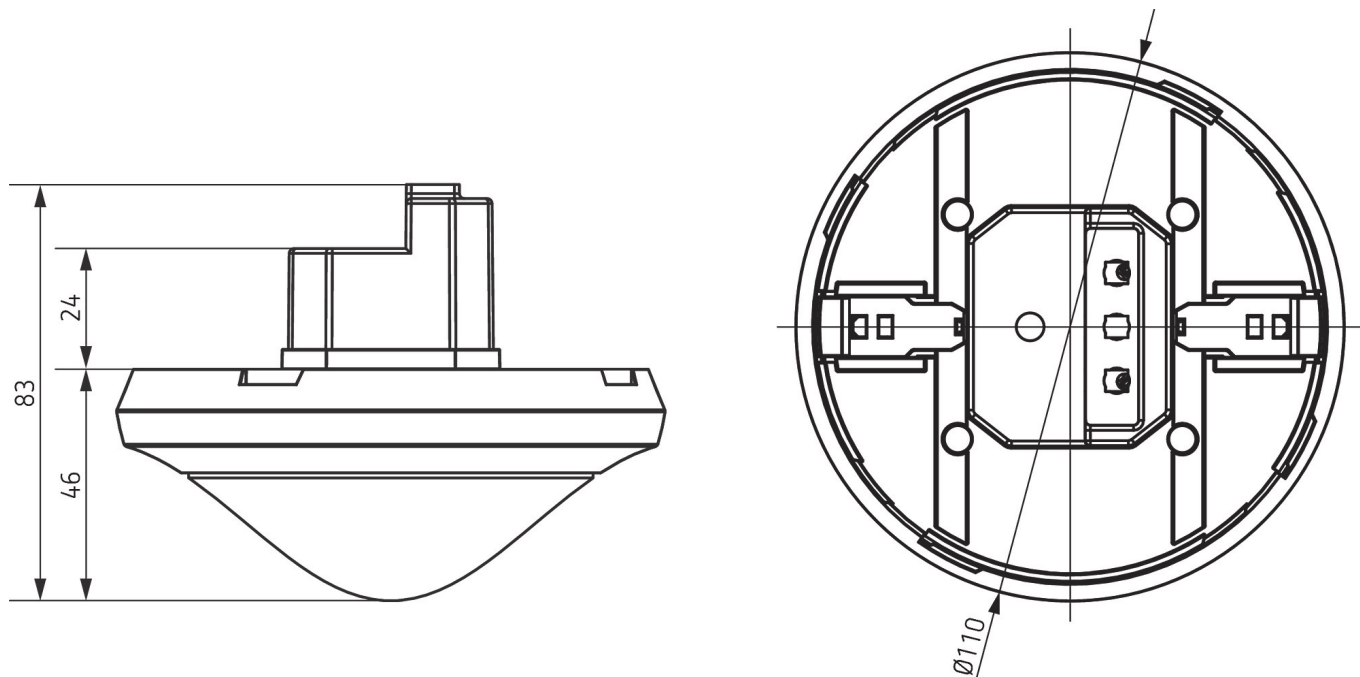
Page 3 of 5

thePassa P360 DALI-2 S UP WH

Item no.: 2010390



Scale drawings



Accessories

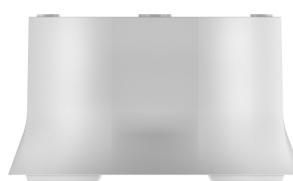
theSenda P
Item no.: 9070910



theSenda S
Item no.: 9070911



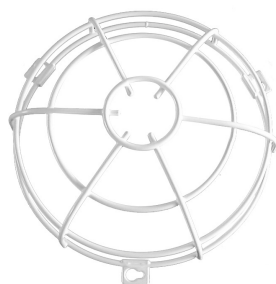
Surface frame 110A WH
Item no.: 9070912



Masking clip
Item no.: 9070921



QuickSafe
Item no.: 9070531



theSenda B
Item no.: 9070985



Cover 110 GR
Item no.: 9070591



Ceiling installation box 68A
Item no.: 9070992



Subject to technical changes and misprints

additional information at: www.theben.de/product/2010390

The load data are determined with exemplary selected illuminants and are therefore typical data due to the large number of available products.

thePassa P360 DALI-2 S UP WH

Item no.: 2010390

theben

Accessories

Surface frame 110A BK

Item no.: 9070600



Cover 110 BK

Item no.: 9070851



Subject to technical changes and misprints

additional information at: www.theben.de/product/2010390

The load data are determined with exemplary selected illuminants and are therefore typical data due to the large number of available products.