

thePassa P360-221 DALI UP WH

Item no.: 2010340

theben

Presence and motion detectors
Ceiling installation indoor

Description

- Passive infra-red presence detector for flush-mounted ceiling installation, DALI-2 certified
- Rectangular detection area 360°, 30 x 4,5 m, (135 m²) at mounting height 3 m, for corridors and storage areas, with 2 individually connectable and disconnectable detection zones
- 2 channels light DALI-2 addressable or 1 channel light DALI-2 in broadcast mode
- DALI-2 technology according to IEC 62386 Parts 101 and 103
- Flexible assignment of up to 2 light groups towards one DALI line
- Easy, intuitive configuration of the DALI groups
- Up to 2 push-button inputs
- Using of conventional push-buttons for maximum design freedom
- Switch or constant light control mode with stand-by function
- Dimmable lighting in switch mode with stand-by function
- Choice of fully or semi-automatic operation
- Easy integration of an external DALI relay by an additional group e.g. for HVAC applications possible
- Adjustable brightness switching value
- Teach-in function via remote control or push-button
- Setting of room correction factor (Automatic adjustment of brightness measurement)
- Light time delay can be set
- Calibrated 2 channels light measurement
- Brief-presence
- Self-learning time delay
- Extremely easy setting of energy saving characteristics with the new „eco plus“ function
- Selectable control speed
- Manual override via remote control or pushbutton
- Behavior after push button operation selectable (school / office)
- Test mode light
- Test-Mode presence
- Remote-controllable
- Scenes
- Sensitivity adjustable
- Detection area can be limited using cover clip
- Extension of detection area via Master/Slave or Master/Master switching
- Optimized handling by installer during assembly, wiring, commissioning



Subject to technical changes and misprints

additional information at: www.theben.de/product/2010340

The load data are determined with exemplary selected illuminants and are therefore typical data due to the large number of available products.

thePassa P360-221 DALI UP WH

Item no.: 2010340

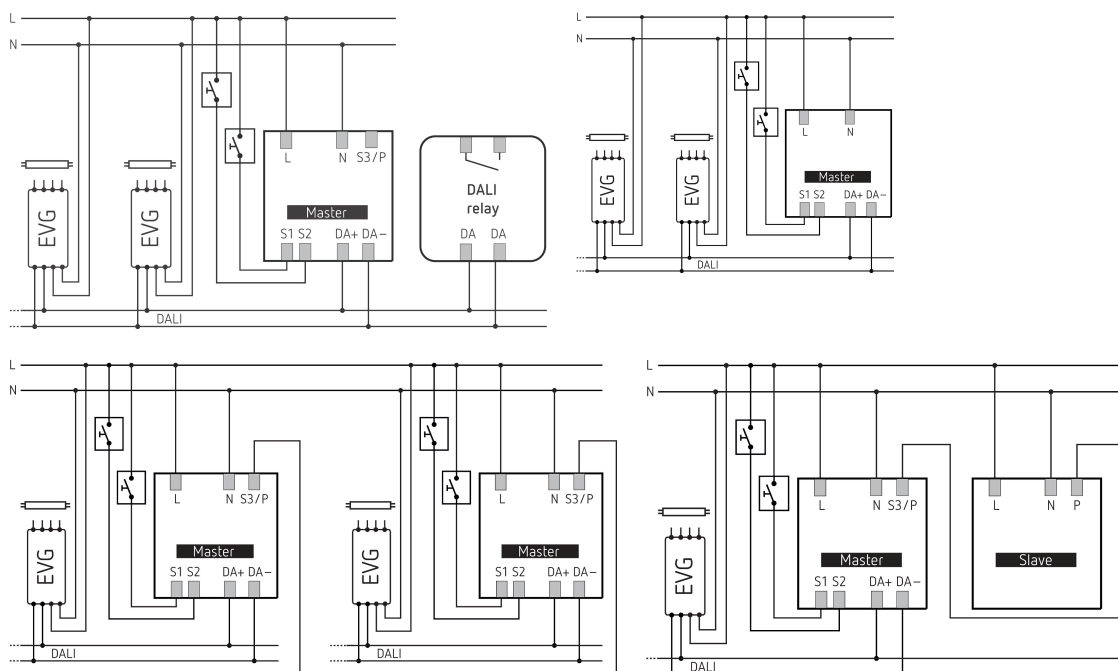


Technical data

thePassa P360-221 DALI UP WH	
Operating voltage	110 - 230 V AC
Frequency	50 - 60 Hz
Installation height	2 - 6 m
Maximum height	15 m
Minimum height	1.7 m
Installation type	Ceiling installation, Flush-mounted
Colour	White
Switching output	DALI
Power consumption	≤0.4 W
Light measurement	Mixed light measurement
Setting range brightness	10 - 3000 lx
Light switch-off delay	10 s - 60 min
Stand-by time light	0 s - 60 min / on
Stand-by brightness	1 - 25 %

thePassa P360-221 DALI UP WH	
Lamp types	Incandescent/halogen lamps, fluorescent lamps, Energy saving lamps, LEDs
Control output	100 mA
Output light	DALI-interface according to IEC SN EN 62 386 for max. 50 DALI devices
Type of connection	Screw terminals
Max. cable cross section	max. 2 x 2,5 mm ²
Size of concealed housing	55 mm
Detection range	150 m ² (30 x 5 m)
Detection angle	360°
Ambient temperature	-15°C ... 50°C
Type of protection	IP 54 (when fitted)

Connection example



Subject to technical changes and misprints

additional information at: www.theben.de/product/2010340

The load data are determined with exemplary selected illuminants and are therefore typical data due to the large number of available products.

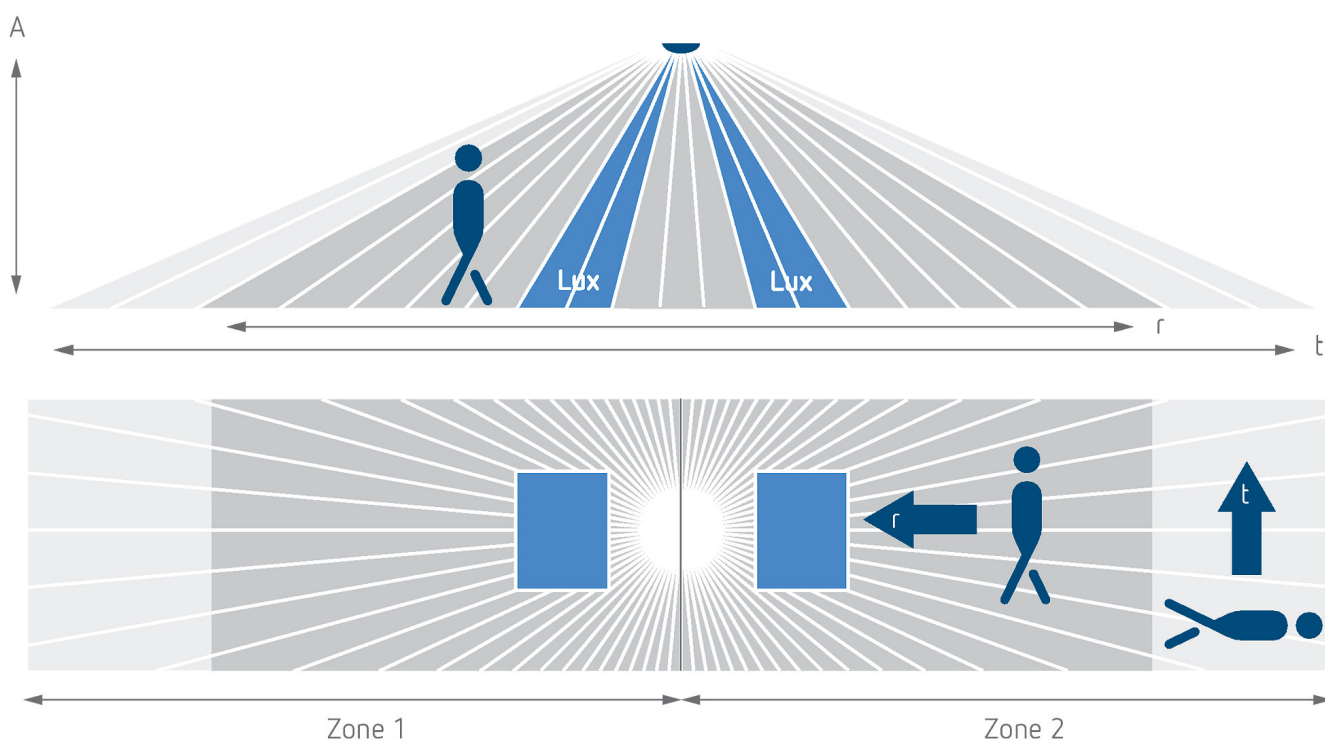
thePassa P360-221 DALI UP WH

Item no.: 2010340



Detection range for planning applications at a temperature of 21 °C

Mounting height (A)	Diagonally (t)	Head on to (R)
2 m	56 m ² 16 m x 3.5 m	56 m ² 16 m x 3.5 m
2.5 m	88 m ² 22 m x 4 m	72 m ² 18 m x 4 m
3 m	135 m ² 30 m x 4.5 m	90 m ² 20 m x 4.5 m
3.5 m	150 m ² 30 m x 5 m	100 m ² 20 m x 5 m
4 m	150 m ² 30 m x 5 m	100 m ² 20 m x 5 m
4.5 m	150 m ² 30 m x 5 m	100 m ² 20 m x 5 m
5 m	150 m ² 30 m x 5 m	100 m ² 20 m x 5 m
5.5 m	150 m ² 30 m x 5 m	100 m ² 20 m x 5 m
6 m	150 m ² 30 m x 5 m	100 m ² 20 m x 5 m



Detection range according to Sensnorm IEC 63180

Mounting height (A)	Diagonally (T)	Head on to (R)
2.5 m	215 m ² 43 m x 5 m	62 m ² 14.8 m x 4.2 m
6 m	550 m ² 50 m x 11 m	495 m ² 45 m x 11 m
15 m	800 m ² 40 m x 20 m	600 m ² 30 m x 20 m

Subject to technical changes and misprints

additional information at: www.theben.de/product/2010340

The load data are determined with exemplary selected illuminants and are therefore typical data due to the large number of available products.

28/05/2026

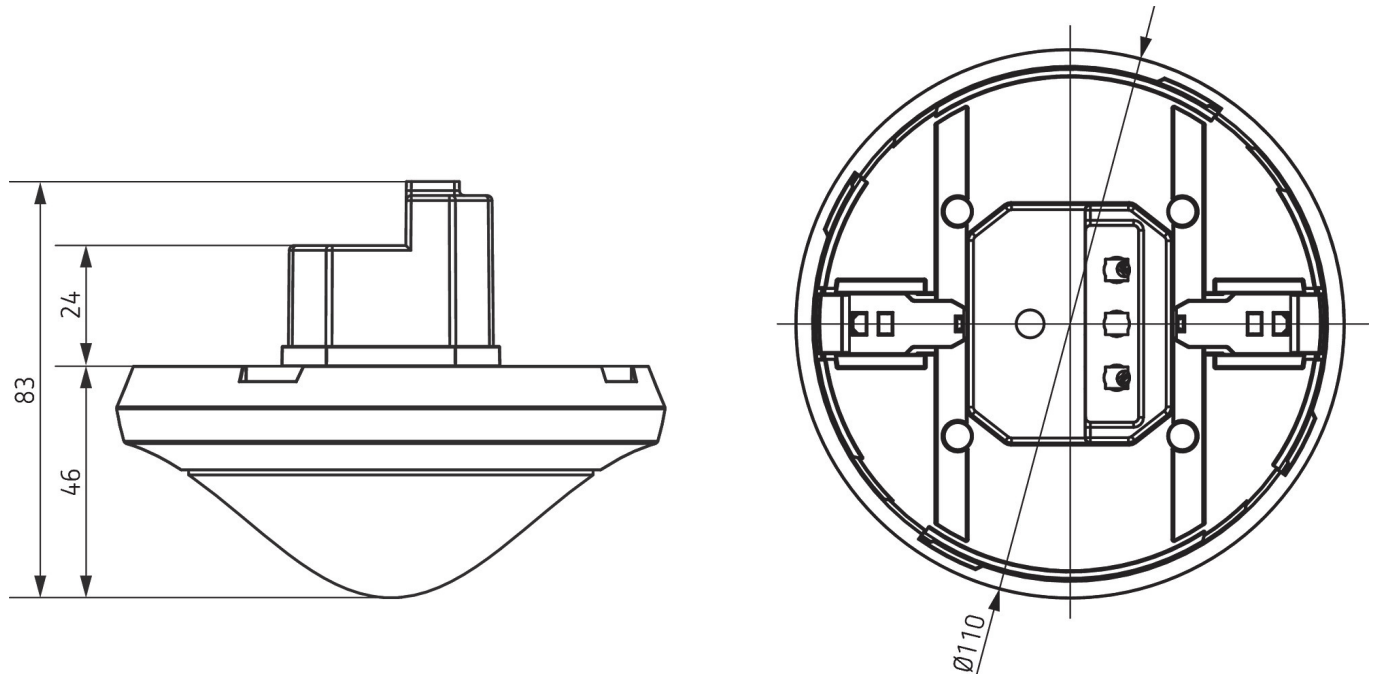
Page 3 of 5

thePassa P360-221 DALI UP WH

Item no.: 2010340



Scale drawings



Accessories

theSenda P

Item no.: 9070910



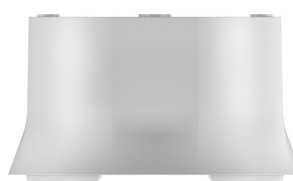
theSenda S

Item no.: 9070911



Surface frame 110A WH

Item no.: 9070912



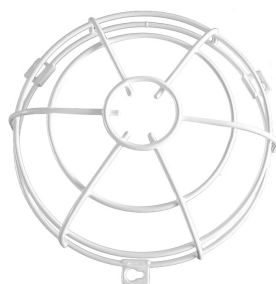
Masking clip

Item no.: 9070921



QuickSafe

Item no.: 9070531



theSenda B

Item no.: 9070985



Cover 110 GR

Item no.: 9070591



Ceiling installation box 68A

Item no.: 9070992



Subject to technical changes and misprints

additional information at: www.theben.de/product/2010340

The load data are determined with exemplary selected illuminants and are therefore typical data due to the large number of available products.

28/05/2026

Page 4 of 5

thePassa P360-221 DALI UP WH

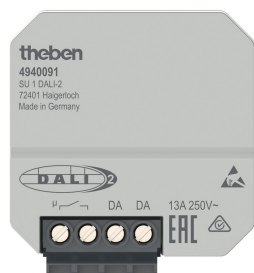
Item no.: 2010340

theben

Accessories

SU 1 DALI-2

Item no.: 4940091



Surface frame 110A BK

Item no.: 9070600



Cover 110 BK

Item no.: 9070851



Subject to technical changes and misprints

additional information at: www.theben.de/product/2010340

The load data are determined with exemplary selected illuminants and are therefore typical data due to the large number of available products.

28/05/2026

Page 5 of 5