

thePassa P360-221 DALI P WIN

Item no.: 2010315

theben

DALI

Presence detectors

Description

- Passive infra-red presence detector for flush-mounted ceiling installation, DALI-2 certified
- Rectangular detection area 360°, 30 x 4,5 m, (135 m²) at mounting height 3 m, for corridors and storage areas, with 2 individually connectable and disconnectable detection zones
- 2 channels light DALI-2 addressable or 1 channel light DALI-2 in broadcast mode
- DALI-2 technology according to IEC 62386 Parts 101 and 103
- Flexible assignment of up to 2 light groups towards one DALI line
- Easy, intuitive configuration of the DALI groups
- Up to 2 push-button inputs
- Using of conventional push-buttons for maximum design freedom
- Switch or constant light control mode with stand-by function
- Dimmable lighting in switch mode with stand-by function
- Choice of fully or semi-automatic operation
- Easy integration of an external DALI relay by an additional group e.g. for HVAC applications possible
- Adjustable brightness switching value
- Teach-in function via remote control or push-button
- Setting of room correction factor (Automatic adjustment of brightness measurement)
- Light time delay can be set
- Calibrated 2 channels light measurement
- Brief-presence
- Self-learning time delay
- Extremely easy setting of energy saving characteristics with the new „eco plus“ function
- Selectable control speed
- Manual override via remote control or pushbutton
- Behavior after push button operation selectable (school / office)
- Test mode light
- Test-Mode presence
- Remote-controllable
- Scenes
- Sensitivity adjustable
- Detection area can be limited using cover clip
- Extension of detection area via Master/Slave or Master/Master switching
- Optimized handling by installer during assembly, wiring, commissioning



Subject to technical changes and misprints

additional information at: www.theben.de/product/2010315

The load data are determined with exemplary selected illuminants and are therefore typical data due to the large number of available products.

28/05/2026

Page 1 of 4

thePassa P360-221 DALI P WIN

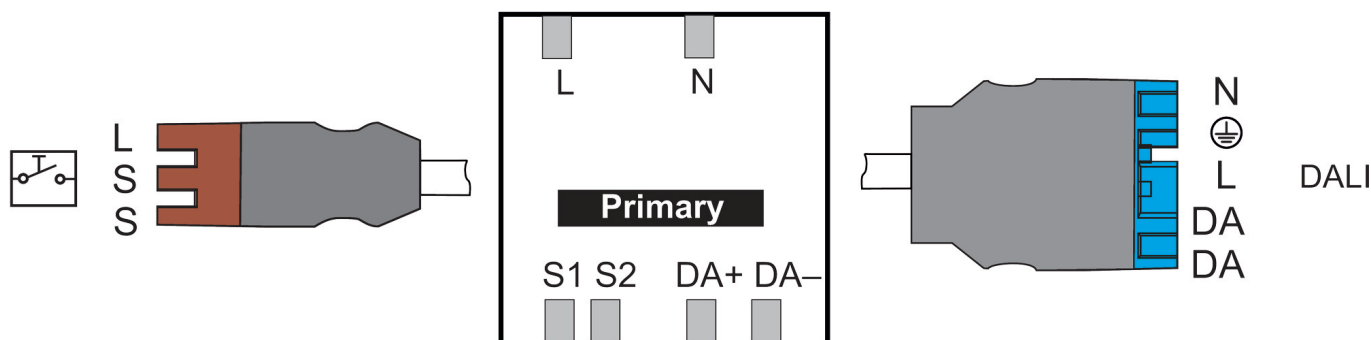
Item no.: 2010315



Technical data

thePassa P360-221 DALI P WIN		thePassa P360-221 DALI P WIN	
Operating voltage	110 - 230 V AC	Lamp types	Incandescent/halogen lamps, fluorescent lamps, Energy saving lamps, LEDs
Frequency	50 - 60 Hz	Control output	100 mA
Maximum height	15 m	Output light	DALI-interface according to IEC SN EN 62 386 for max. 50 DALI devices
Minimum height	1.7 m	Type of connection	Flachstecker
Installation type	Ceiling mounting	Size of concealed housing	55 mm
Colour	White	Detection range	150 m ² (30 x 5 m)
Switching output	DALI	Detection angle	360°
Power consumption	≤	Ambient temperature	50°C
Light measurement	Mixed light measurement	Type of protection	IP 54 (when fitted)
Setting range brightness	10 - 3000 lx		

Connection example



Detection range for planning applications at a temperature of 21 °C

Mounting height (A)	Diagonally (t)	Head on to (R)	
2 m	56 m ² 16 m x 3.5 m	56 m ² 16 m x 3.5 m	
2.5 m	88 m ² 22 m x 4 m	72 m ² 18 m x 4 m	
3 m	135 m ² 30 m x 4.5 m	90 m ² 20 m x 4.5 m	
3.5 m	150 m ² 30 m x 5 m	100 m ² 20 m x 5 m	
4 m	150 m ² 30 m x 5 m	100 m ² 20 m x 5 m	
4.5 m	150 m ² 30 m x 5 m	100 m ² 20 m x 5 m	
5 m	150 m ² 30 m x 5 m	100 m ² 20 m x 5 m	
5.5 m	150 m ² 30 m x 5 m	100 m ² 20 m x 5 m	
6 m	150 m ² 30 m x 5 m	100 m ² 20 m x 5 m	

Subject to technical changes and misprints

additional information at: www.theben.de/product/2010315

The load data are determined with exemplary selected illuminants and are therefore typical data due to the large number of available products.

28/05/2026

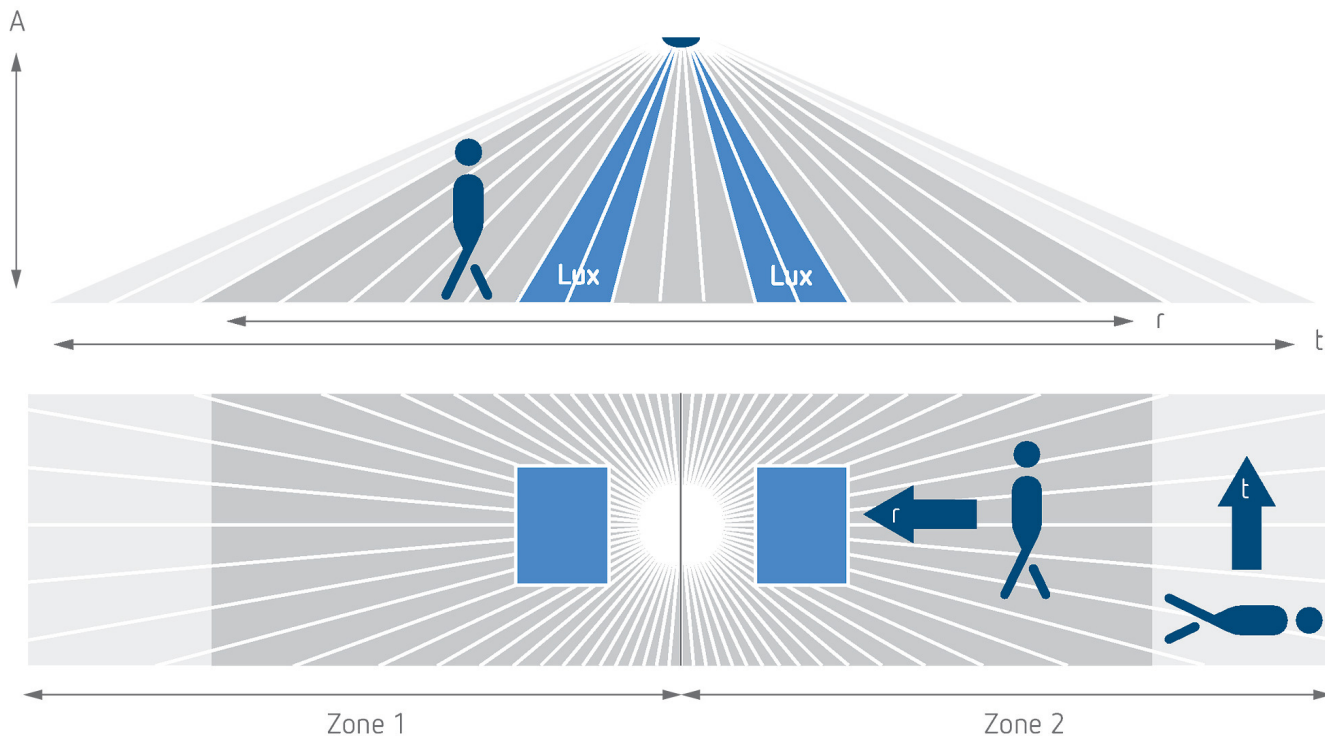
Page 2 of 4

thePassa P360-221 DALI P WIN

Item no.: 2010315



Detection range for planning applications at a temperature of 21 °C



Detection range according to Sensnorm IEC 63180

Mounting height (A)	Diagonally (T)	Head on to (R)	
2.5 m	215 m ² 43 m x 5 m	62 m ² 14.8 m x 4.2 m	
6 m	550 m ² 50 m x 11 m	495 m ² 45 m x 11 m	
15 m	800 m ² 40 m x 20 m	600 m ² 30 m x 20 m	

Subject to technical changes and misprints

additional information at: www.theben.de/product/2010315

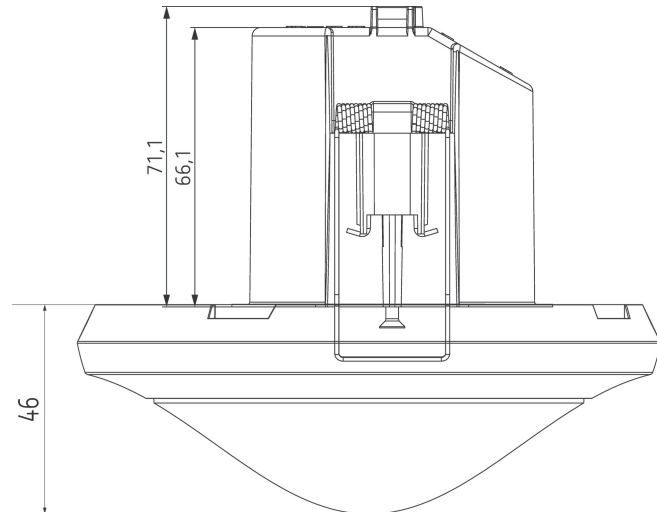
The load data are determined with exemplary selected illuminants and are therefore typical data due to the large number of available products.

thePassa P360-221 DALI P WIN

Item no.: 2010315



Scale drawings



Cut-out Ø 68 mm

Accessories

theSenda P

Item no.: 9070910



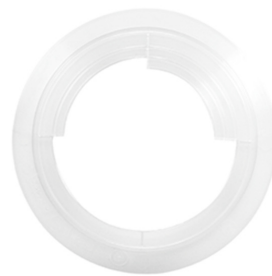
theSenda S

Item no.: 9070911



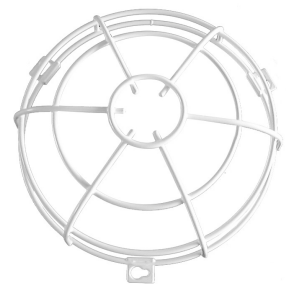
Masking clip

Item no.: 9070921



QuickSafe

Item no.: 9070531



theSenda B

Item no.: 9070985



Cover 110 GR

Item no.: 9070591



Cover 110 BK

Item no.: 9070851



Subject to technical changes and misprints

additional information at: www.theben.de/product/2010315

The load data are determined with exemplary selected illuminants and are therefore typical data due to the large number of available products.