

# thePassa P360-101 P GST

Item no.: 2010312

**theben**

## Presence and motion detectors Ceiling installation indoor

### Description

- Passive infra-red presence detector for flush-mounted ceiling installation
- Rectangular detection area 360°, 30 x 4,5 m, (135 m<sup>2</sup>) at mounting height 3 m, for corridors and storage areas, with 2 individually connectable and disconnectable detection zones
- 1 channel light (Relay, 230 V) and 1 channel presence (Relay, floating for HVAC control)
- Automatic presence- and brightness-dependent control for lighting and HVAC
- Mixed light measurement suitable for fluorescent lamps (FL/PL/ESL), halogen/incandescent lamps and LEDs
- Choice of fully or semi-automatic operation
- Adjustable brightness switching value, teach-in function
- Reduction of switch-off delay time in the event of short presence (brief-presence)
- Connection option for sensors or switches for manual switching with automatic recognition of sensor/switch
- Pulse function for staircase light time switch
- Channel H, presence: relay, floating
- e.g. for HVAC control
- Switch-on delay and switch-off delay configurable
- Sensitivity adjustable
- Detection area can be limited using cover clip
- Ready for immediate use due to factory preset
- Test mode for checking function and detection area
- Extension of detection area via Master/Slave or Master/Master switching, a maximum of 10 detectors can be switched in parallel with each other
- Ceiling installation in flush-mounted socket
- Ceiling installation also possible with surface-mounted frame
- User remote control theSenda S, management remote control SendoPro (optional)



### Technical data

| thePassa P360-101 P GST |                  |
|-------------------------|------------------|
| Operating voltage       | 110 - 230 V AC   |
| Frequency               | 50 - 60 Hz       |
| Maximum height          | 15 m             |
| Minimum height          | 1.7 m            |
| Installation type       | Ceiling mounting |
| Colour                  | White            |
| Switching output        | Light            |

| thePassa P360-101 P GST       |  |
|-------------------------------|--|
| Power consumption             | ca.  |
| Light measurement             | Mixed light measurement  |
| Setting range brightness      | 30 - 3000 lx   |
| Lamp types                    | Incandescent/halogen lamps, fluorescent lamps, Energy saving lamps, LEDs |
| Compact and fluorescent lamps | 1150 VA (cos φ = 0,5)  |

Subject to technical changes and misprints

additional information at: [www.theben.de/product/2010312](http://www.theben.de/product/2010312)

The load data are determined with exemplary selected illuminants and are therefore typical data due to the large number of available products.

# thePassa P360-101 P GST

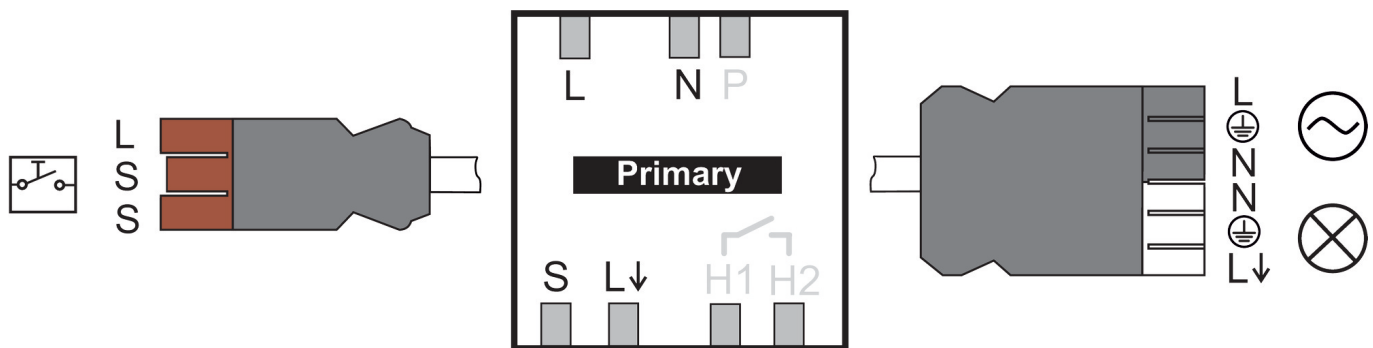
Item no.: 2010312



## Technical data

| thePassa P360-101 P GST |                          | thePassa P360-101 P GST |                               |
|-------------------------|--------------------------|-------------------------|-------------------------------|
| Inrush current          | max. 800 A / 200 $\mu$ s | Detection range         | 150 m <sup>2</sup> (30 x 5 m) |
| LED lamp < 2 W          | 60 W                     | Detection angle         | 360°                          |
| LED lamp 2-8 W          | 600 W                    | Ambient temperature     | 50°C                          |
| LED lamp > 8 W          | 600 W                    | Type of protection      | IP 54 (when fitted)           |
| Type of connection      | Flachstecker             |                         |                               |

## Connection example



## Detection range for planning applications at a temperature of 21 °C

| Mounting height (A) | Diagonally (t)                    | Head on to (R)                   |  |
|---------------------|-----------------------------------|----------------------------------|--|
| 2 m                 | 56 m <sup>2</sup>   16 m x 3.5 m  | 56 m <sup>2</sup>   16 m x 3.5 m |  |
| 2.5 m               | 88 m <sup>2</sup>   22 m x 4 m    | 72 m <sup>2</sup>   18 m x 4 m   |  |
| 3 m                 | 135 m <sup>2</sup>   30 m x 4.5 m | 90 m <sup>2</sup>   20 m x 4.5 m |  |
| 3.5 m               | 150 m <sup>2</sup>   30 m x 5 m   | 100 m <sup>2</sup>   20 m x 5 m  |  |
| 4 m                 | 150 m <sup>2</sup>   30 m x 5 m   | 100 m <sup>2</sup>   20 m x 5 m  |  |
| 4.5 m               | 150 m <sup>2</sup>   30 m x 5 m   | 100 m <sup>2</sup>   20 m x 5 m  |  |
| 5 m                 | 150 m <sup>2</sup>   30 m x 5 m   | 100 m <sup>2</sup>   20 m x 5 m  |  |
| 5.5 m               | 150 m <sup>2</sup>   30 m x 5 m   | 100 m <sup>2</sup>   20 m x 5 m  |  |
| 6 m                 | 150 m <sup>2</sup>   30 m x 5 m   | 100 m <sup>2</sup>   20 m x 5 m  |  |

Subject to technical changes and misprints

additional information at: [www.theben.de/product/2010312](http://www.theben.de/product/2010312)

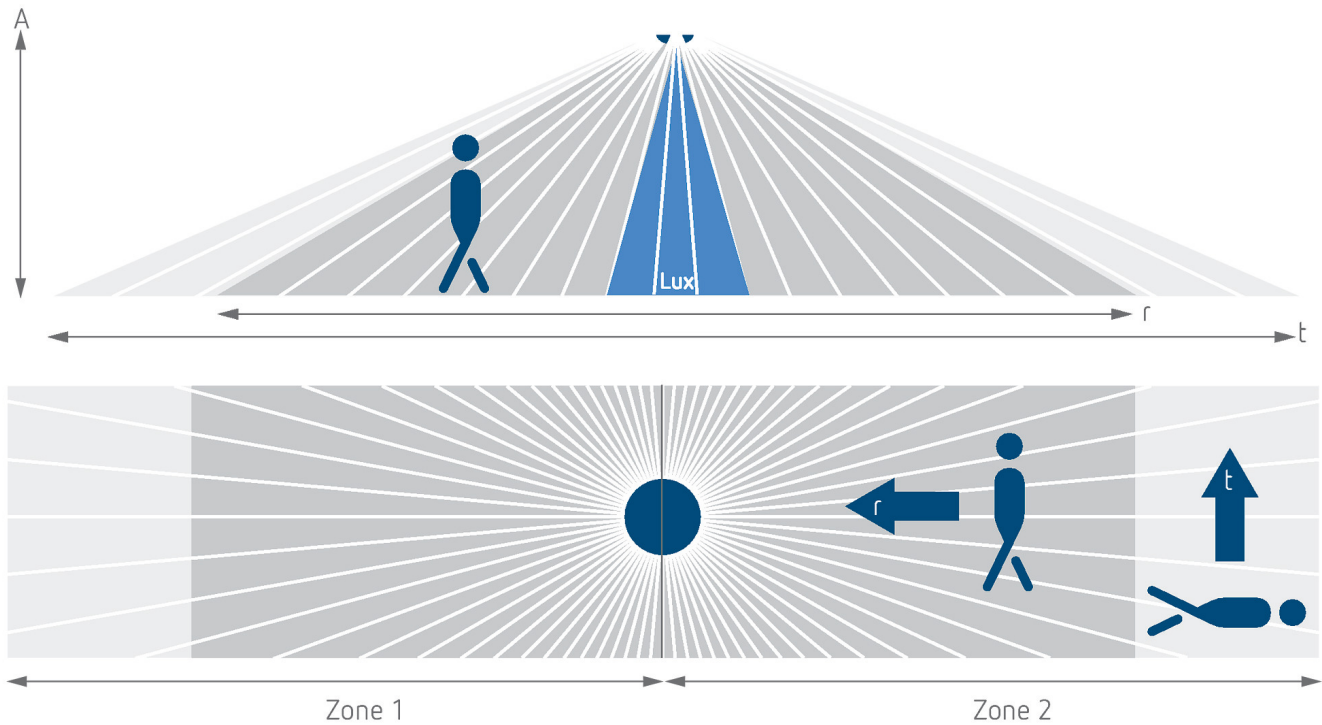
The load data are determined with exemplary selected illuminants and are therefore typical data due to the large number of available products.

# thePassa P360-101 P GST

Item no.: 2010312



## Detection range for planning applications at a temperature of 21 °C



## Detection range according to Sensnorm IEC 63180

| Mounting height (A) | Diagonally (T)                   | Head on to (R)                     |  |
|---------------------|----------------------------------|------------------------------------|--|
| 2.5 m               | 215 m <sup>2</sup>   43 m x 5 m  | 62 m <sup>2</sup>   14.8 m x 4.2 m |  |
| 6 m                 | 550 m <sup>2</sup>   50 m x 11 m | 495 m <sup>2</sup>   45 m x 11 m   |  |
| 15 m                | 800 m <sup>2</sup>   40 m x 20 m | 600 m <sup>2</sup>   30 m x 20 m   |  |

Subject to technical changes and misprints

additional information at: [www.theben.de/product/2010312](http://www.theben.de/product/2010312)

The load data are determined with exemplary selected illuminants and are therefore typical data due to the large number of available products.

28/05/2026

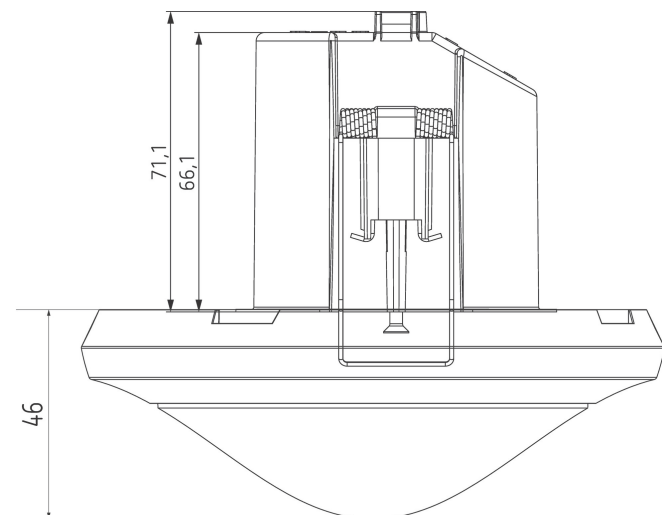
Page 3 of 4

# thePassa P360-101 P GST

Item no.: 2010312



## Scale drawings



Cut-out Ø 68 mm

## Accessories

### theSenda P

Item no.: 9070910



### theSenda S

Item no.: 9070911



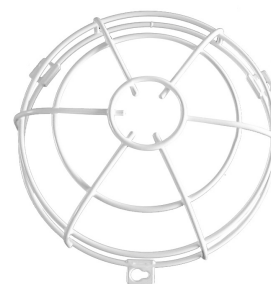
### Masking clip

Item no.: 9070921



### QuickSafe

Item no.: 9070531



### theSenda B

Item no.: 9070985



### Cover 110 GR

Item no.: 9070591



### Cover 110 BK

Item no.: 9070851



Subject to technical changes and misprints

additional information at: [www.theben.de/product/2010312](http://www.theben.de/product/2010312)

The load data are determined with exemplary selected illuminants and are therefore typical data due to the large number of available products.