

thePassa P360-101 GST

Item no.: 2010310

theben

Presence and motion detectors Ceiling installation indoor

Description

- Passive infra-red presence detector for flush-mounted ceiling installation
- Rectangular detection area 360°, 30 x 4,5 m, (135 m²) at mounting height 3 m, for corridors and storage areas, with 2 individually connectable and disconnectable detection zones
- 1 channel light (Relay, 230 V) and 1 channel presence (Relay, floating for HVAC control)
- Automatic presence- and brightness-dependent control for lighting and HVAC
- Mixed light measurement suitable for fluorescent lamps (FL/PL/ESL), halogen/incandescent lamps and LEDs
- Choice of fully or semi-automatic operation
- Adjustable brightness switching value, teach-in function
- Reduction of switch-off delay time in the event of short presence (brief-presence)
- Connection option for sensors or switches for manual switching with automatic recognition of sensor/switch
- Pulse function for staircase light time switch
- Channel H, presence: relay, floating
- e.g. for HVAC control
- Switch-on delay and switch-off delay configurable
- Sensitivity adjustable
- Detection area can be limited using cover clip
- Ready for immediate use due to factory preset
- Test mode for checking function and detection area
- Extension of detection area via Master/Slave or Master/Master switching, a maximum of 10 detectors can be switched in parallel with each other
- Ceiling installation in flush-mounted socket
- Ceiling installation also possible with surface-mounted frame
- User remote control theSenda S, management remote control SendoPro (optional)



Technical data

thePassa P360-101 GST	
Operating voltage	110 - 230 V AC
Frequency	50 - 60 Hz
Maximum height	15 m
Minimum height	1.7 m
Installation type	Ceiling mounting
Colour	White
Switching output	Light

thePassa P360-101 GST	
Power consumption	ca.
Light measurement	Mixed light measurement
Setting range brightness	30 - 3000 lx
Lamp types	Incandescent/halogen lamps, fluorescent lamps, Energy saving lamps, LEDs
Compact and fluorescent lamps	1150 VA (cos φ = 0,5)

Subject to technical changes and misprints

additional information at: www.theben.de/product/2010310

The load data are determined with exemplary selected illuminants and are therefore typical data due to the large number of available products.

thePassa P360-101 GST

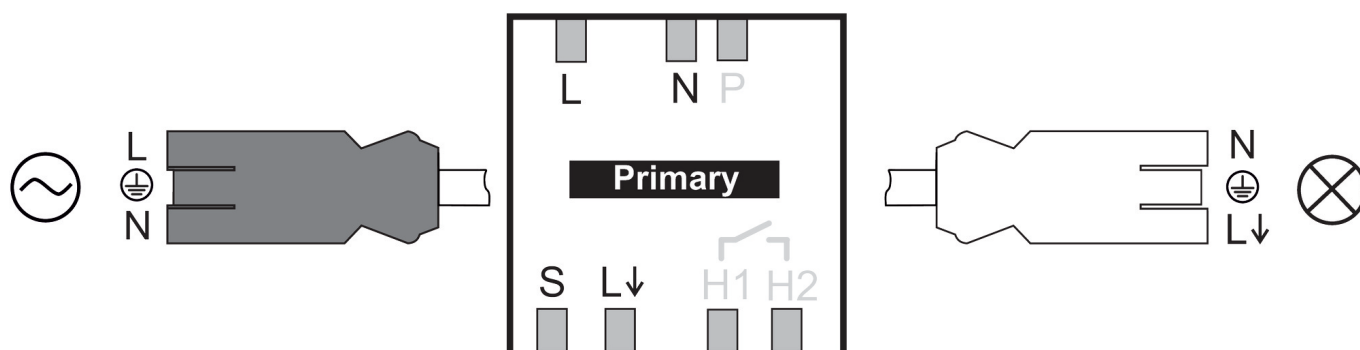
Item no.: 2010310



Technical data

thePassa P360-101 GST		thePassa P360-101 GST	
Inrush current	max. 800 A / 200 μ s	Type of connection	Flachstecker
LED lamp < 2 W	60 W	Detection range	150 m ² (30 x 5 m)
LED lamp 2-8 W	600 W	Detection angle	360°
LED lamp > 8 W	600 W	Ambient temperature	50°C
Switch-on delay presence	0 s - 10 min / Room surveillance	Type of protection	IP 54 (when fitted)

Connection example



Detection range for planning applications at a temperature of 21 °C

Mounting height (A)	Diagonally (t)	Head on to (R)	
2 m	56 m ² 16 m x 3.5 m	56 m ² 16 m x 3.5 m	
2.5 m	88 m ² 22 m x 4 m	72 m ² 18 m x 4 m	
3 m	135 m ² 30 m x 4.5 m	90 m ² 20 m x 4.5 m	
3.5 m	150 m ² 30 m x 5 m	100 m ² 20 m x 5 m	
4 m	150 m ² 30 m x 5 m	100 m ² 20 m x 5 m	
4.5 m	150 m ² 30 m x 5 m	100 m ² 20 m x 5 m	
5 m	150 m ² 30 m x 5 m	100 m ² 20 m x 5 m	
5.5 m	150 m ² 30 m x 5 m	100 m ² 20 m x 5 m	
6 m	150 m ² 30 m x 5 m	100 m ² 20 m x 5 m	

Subject to technical changes and misprints

additional information at: www.theben.de/product/2010310

The load data are determined with exemplary selected illuminants and are therefore typical data due to the large number of available products.

28/05/2026

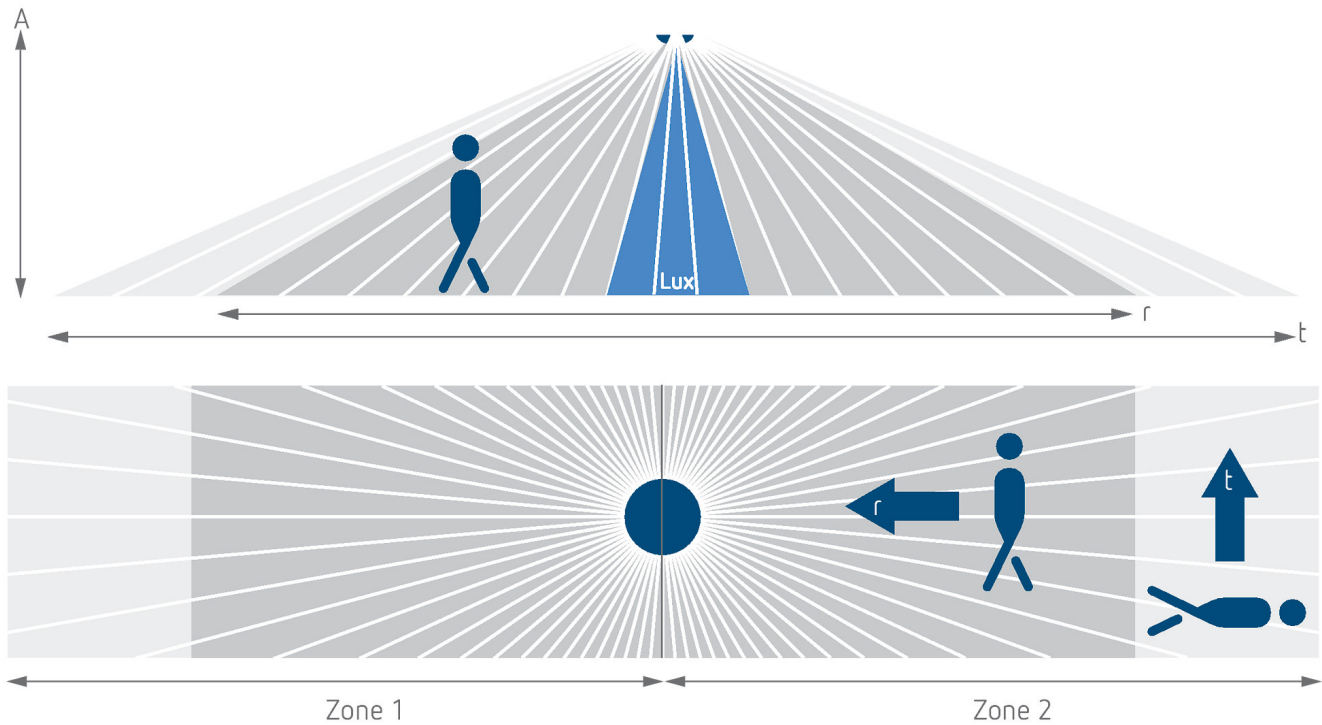
Page 2 of 4

thePassa P360-101 GST

Item no.: 2010310



Detection range for planning applications at a temperature of 21 °C



Detection range according to Sensnorm IEC 63180

Mounting height (A)	Diagonally (T)	Head on to (R)	
2.5 m	215 m ² 43 m x 5 m	62 m ² 14.8 m x 4.2 m	
6 m	550 m ² 50 m x 11 m	495 m ² 45 m x 11 m	
15 m	800 m ² 40 m x 20 m	600 m ² 30 m x 20 m	

Subject to technical changes and misprints

additional information at: www.theben.de/product/2010310

The load data are determined with exemplary selected illuminants and are therefore typical data due to the large number of available products.

28/05/2026

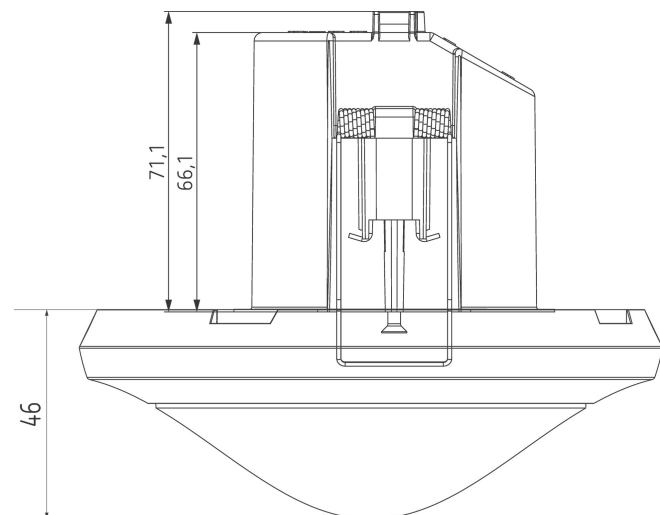
Page 3 of 4

thePassa P360-101 GST

Item no.: 2010310

theben

Scale drawings



Cut-out Ø 68 mm

Accessories

theSenda P

Item no.: 9070910



theSenda S

Item no.: 9070911



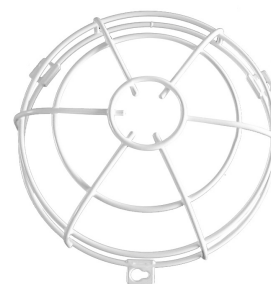
Masking clip

Item no.: 9070921



QuickSafe

Item no.: 9070531



theSenda B

Item no.: 9070985



Cover 110 GR

Item no.: 9070591



Cover 110 BK

Item no.: 9070851



Subject to technical changes and misprints

additional information at: www.theben.de/product/2010310

The load data are determined with exemplary selected illuminants and are therefore typical data due to the large number of available products.

28/05/2026

Page 4 of 4