

SELEKTA 170 top3

Item no.: 1700130

theben

Time and light control Digital time switches

Description

- Astronomical time switch with weekly program
- 1 channel
- 56 memory locations
- Programming by app possible
- Safe transfer via optional Bluetooth Low Energy OBELISK top3
- Maximum manipulation security, time switch programs can only be transferred from the app to the time switch when the Bluetooth OBELISK top3 is plugged into the time switch
- 100 % compatible with top2
- ReShape: Plastic housing (upper and lower housing sections, slider) containing 93% recycled material from industrial waste (PIR - Post Industrial Recycled)
- Astronomical time switch function (automatic calculation of sunrise and sunset times for the whole year)
- Offset for adjusting of sunrise and sunset times
- Position data via coordinates or country/city lists can be programmed
- Fixed ON-OFF switching times can be programmed (e.g. night time interruption)
- Simulation of switching times (calculated astronomical times and programmed ON/OFF switching times)
- Reversible astronomical mode (evenings ON - mornings OFF or evenings OFF - mornings ON) or can be deactivated
- DuoFix spring terminals
- For 2 conductors each
- Wire or strand (with or without wire end sleeve)
- Wire diameter: 0.5 - 2.5 mm²
- Button for releasing plug-in connection
- Text-oriented user guidance in display
- Preset date and time
- fully operable without mains connection
- Interface for OBELISK top2 memory card (PC programming)
- 2. insertable switching program
- Copying programs
- Storing programs
- 10 year power reserve (lithium battery)
- Zero-cross switching for relay-saving switching and high lamp loads (not with 24 V devices)
- Calculated astronomical switching times
- Programmable ON-OFF switching times
- Switching preselection
- Permanent switching ON/OFF
- Integrated operating hour counter
- Reset option



Subject to technical changes and misprints

additional information at: www.theben.de/product/1700130

The load data are determined with exemplary selected illuminants and are therefore typical data due to the large number of available products.

SELEKTA 170 top3

Item no.: 1700130



Description

- Service function for monitoring maintenance intervals
- Holiday program
- Display back light (can be turned off)
- PIN coding
- Automatic summer/winter time changeover
- can be deactivated
- Date rule options are already stored for Europe, the USA and other countries
- own date rule options or changeover around set dates are available

Technical data

SELEKTA 170 top3	
Operating voltage	230 V AC
Frequency	50 - 60 Hz
Width	2 modules
Installation type	DIN rail
Type of contact	Changeover contact
Switching output	Phase-independent
Opening width	< 3 mm (μ)
Program	Weekly program, Astronomical program
Program functions	ON-OFF
Number of channels	1
Number of memory locations	56
Power reserve	10 years
Switching capacity at 250 V AC, $\cos \varphi = 1$	16 A
Switching capacity at 250 V AC, $\cos \varphi = 0,6$	10 A
Incandescent/halogen lamp load	2600 W
Energy saving lamps	1100 W
LED lamp < 2 W	50 W
LED lamp 2-8 W	600 W
LED lamp > 8 W	600 W

SELEKTA 170 top3	
Fluorescent lamp load (conventional) not corrected	2600 VA
Fluorescent lamp load (conventional) series-corrected	2600 VA
Fluorescent lamp load (conventional) parallel-corrected	1300 VA
Inrush current	max. 800 A / 200 μ s
Switching capacity min.	ca. 10 mA
Shortest switching times	1 min
Time accuracy at 25 °C	typical \pm 0,25 s/day (quartz)
Time basis	Quartz
Stand-by consumption	\sim 0.4 W
Type of connection	DuoFix spring terminals
Display	LCD
Keyboards	4 touch buttons
Housing and insulation material	High-temperature resistant, self-extinguishing thermoplastic
Type of protection	IP 20
Protection class	II according to EN 60 730-1
Ambient temperature	-30°C ... 60°C
Predecessor	1700100, SELEKTA 170 top2

Subject to technical changes and misprints

additional information at: www.theben.de/product/1700130

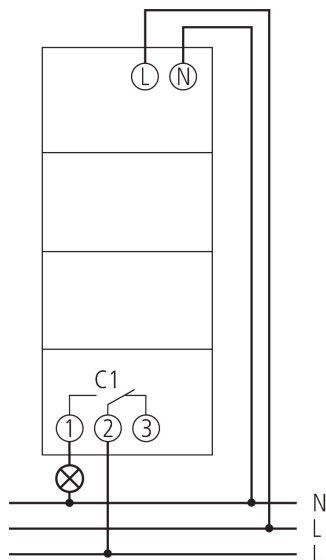
The load data are determined with exemplary selected illuminants and are therefore typical data due to the large number of available products.

SELEKTA 170 top3

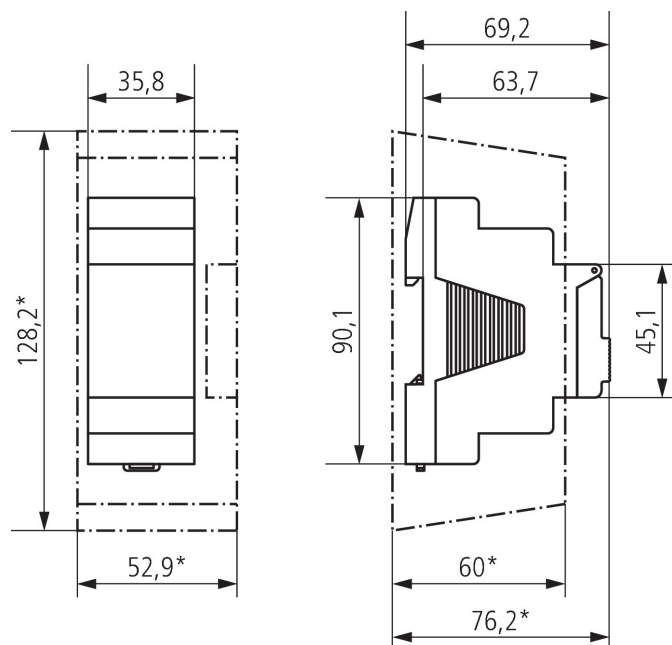
Item no.: 1700130



Connection example



Scale drawings



Subject to technical changes and misprints

additional information at: www.theben.de/product/1700130

The load data are determined with exemplary selected illuminants and are therefore typical data due to the large number of available products.

SELEKTA 170 top3

Item no.: 1700130

theben

Accessories

Wall mounting kit 35 mm

Item no.: 9070064



PC set OBELISK top2/3

Item no.: 9070409



Memory card OBELISK top2

Item no.: 9070404



Front panel kit

Item no.: 9070001



Bluetooth OBELISK top3

Item no.: 9070130



Subject to technical changes and misprints

additional information at: www.theben.de/product/1700130

The load data are determined with exemplary selected illuminants and are therefore typical data due to the large number of available products.

19/05/2026

Page 4 of 4