

BZ 142-3 10V

Item no.: 1420823

theben

Time and light control
Hour counters

Description

- Hour counter with synchronous motor drive
- Plug-in base with quick fastening for 35 mm profile rails (DIN EN 60 715)
- Screw terminals
- Contact protection to comply with accident prevention regulation BGV A3
- Housing colour: anthracite
- Versions for direct voltage with quartz-controlled stepper motor
- Progress display



Technical data

BZ 142-3 10V	
Operating voltage	10 V DC - 80 V DC
Installation type	Front panel installation
Size front plate	48 x 48 mm
Size of Installation section	46 x 46 mm
Counting range	99999.99 h

BZ 142-3 10V	
Type of protection	IP 65 (Front frame)
Protection class	II according to EN 60 335-1
Ambient temperature	-20°C ... 70°C

Subject to technical changes and misprints

additional information at: www.theben.de/product/1420823

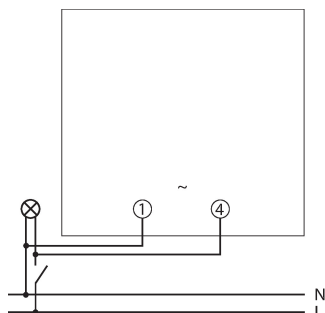
The load data are determined with exemplary selected illuminants and are therefore typical data due to the large number of available products.

BZ 142-3 10V

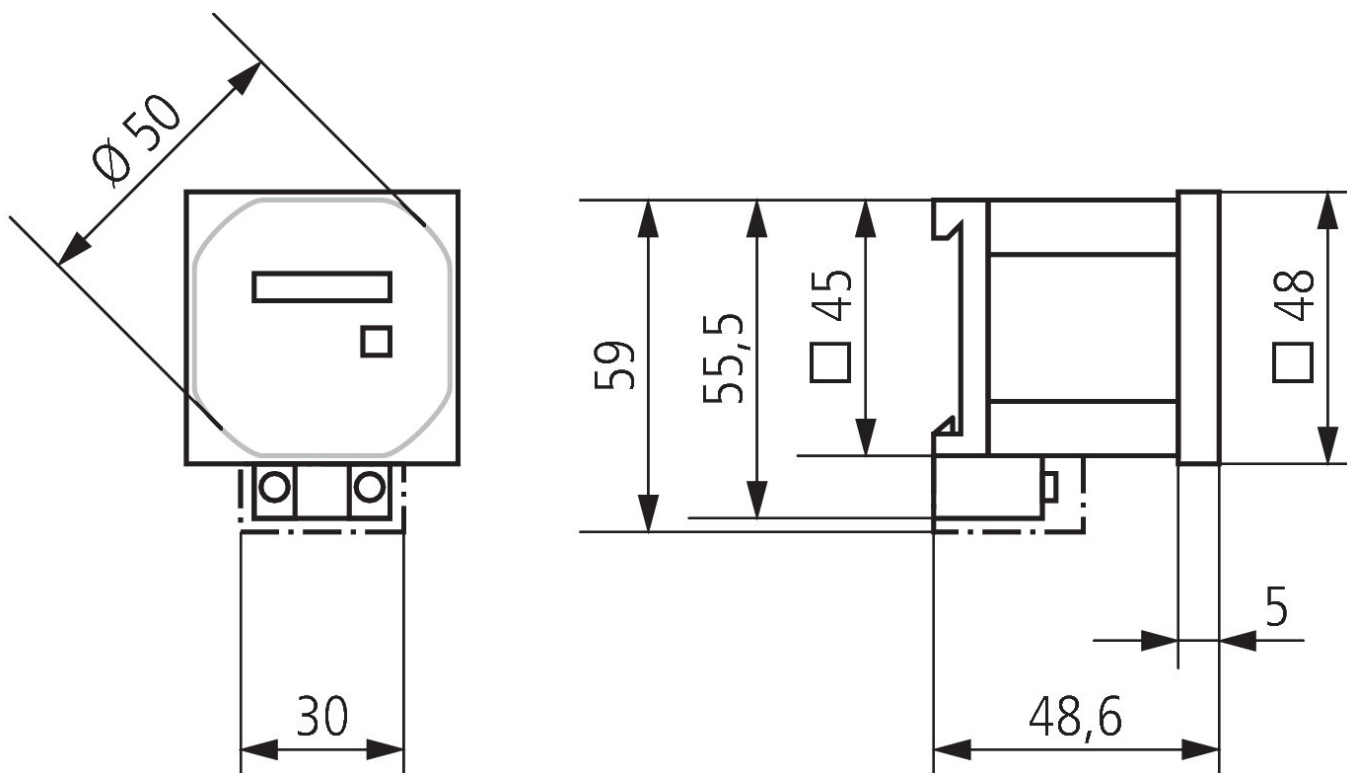
Item no.: 1420823



Connection example



Scale drawings



Subject to technical changes and misprints

additional information at: www.theben.de/product/1420823

The load data are determined with exemplary selected illuminants and are therefore typical data due to the large number of available products.