

# theMova S360-101 AP WH

Item no.: 1030555

Presence and motion detectors  
Ceiling installation indoor

## Description

- Passive infra-red motion detector for ceiling installation surface-mounted
- Circular detection area 360°, up to Ø 8 m (50 m²) at mounting height 3 m
- 1 channel light (Relay, 230 V) and 1 channel presence (Relay, floating for HVAC control)
- Automatic motion and brightness-dependent control for lighting and HVAC
- Daylight sensor mode for brightness-dependent control of the lighting, switchable via app
- Mixed light measurement suitable for fluorescent lamps (FL/PL/ESL), halogen/incandescent lamps and LEDs
- Operation as fully automatic device
- Brightness switching value configurable, teach-in function
- Pulse function for staircase light time switch
- Channel H, presence: relay, floating e.g. for HVAC control
- Time delay configurable
- Detection sensitivity configurable
- Test mode for checking function and detection area
- Ready for immediate use due to factory presetting (Brightness switching value 300 lux, Time delay 10 min.)
- One of these optional remote controls is required for changing the values and attitudes:
  - Management remote control SendaPro
  - Installation remote control theSenda P
  - Optional user remote control: theSenda S



## Technical data

theMova S360-101 AP WH	
Operating voltage	230 V AC
Frequency	50 Hz

theMova S360-101 AP WH	
Installation height	2 - 4 m
Installation type	Ceiling installation, Surface mounted

Subject to technical changes and misprints

additional information at: [www.theben.de/product/1030555](http://www.theben.de/product/1030555)

The load data are determined with exemplary selected illuminants and are therefore typical data due to the large number of available products.

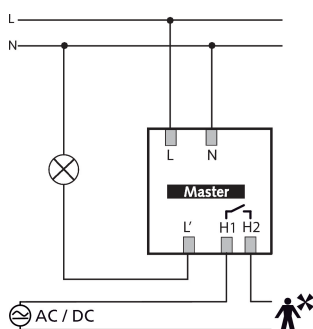
# theMova S360-101 AP WH

Item no.: 1030555

## Technical data

theMova S360-101 AP WH		theMova S360-101 AP WH	
Colour	White	Inrush current	max. 400 A / 200 $\mu$ s
Switching output	Light   Presence	LED lamp < 2 W	25 W
Power consumption	~0.5 W	LED lamp 2-8 W	250 W
Light measurement	Mixed light measurement	LED lamp > 8 W	250 W
Setting range brightness	30 - 3000 lx	Presence switch-off delay	10 s - 120 min
Light switch-off delay	10 s - 60 min	Switching capacity presence	50 W/50 VA
Type of contact light	Relay 230 V/10 A $\mu$ -contact	Type of connection	Spring terminals
Lamp types	Incandescent/halogen lamps, fluorescent lamps, Energy saving lamps, LEDs	Detection range	50 m <sup>2</sup> ( $\varnothing$ 8 m)
Incandescent/halogen lamp load	2300 W	Detection angle	360°
Compact and fluorescent lamps	1150 VA ( $\cos \phi = 0,5$ )	Ambient temperature	-15°C ... 50°C
		Type of protection	IP 54 (when fitted)

## Connection example



## Detection range for planning applications at a temperature of 21 °C

Mounting height (A)	Head on to (R)	Diagonally (t)
2 m	5 m <sup>2</sup>   2.5 m	38 m <sup>2</sup>   7 m
2.5 m	7 m <sup>2</sup>   3 m	38 m <sup>2</sup>   7 m
3 m	13 m <sup>2</sup>   4 m	50 m <sup>2</sup>   8 m
3.5 m	13 m <sup>2</sup>   4 m	50 m <sup>2</sup>   8 m
4 m	13 m <sup>2</sup>   4 m	64 m <sup>2</sup>   9 m

Subject to technical changes and misprints

additional information at: [www.theben.de/product/1030555](http://www.theben.de/product/1030555)

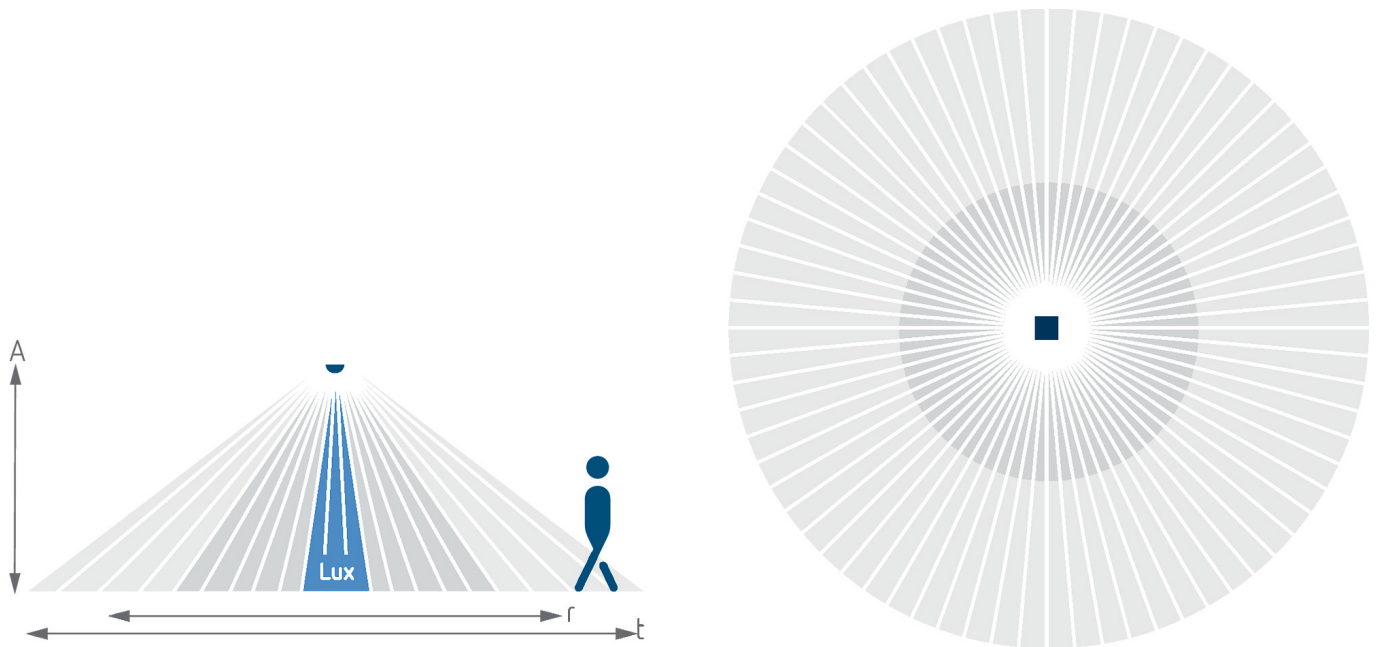
The load data are determined with exemplary selected illuminants and are therefore typical data due to the large number of available products.

# theMova S360-101 AP WH

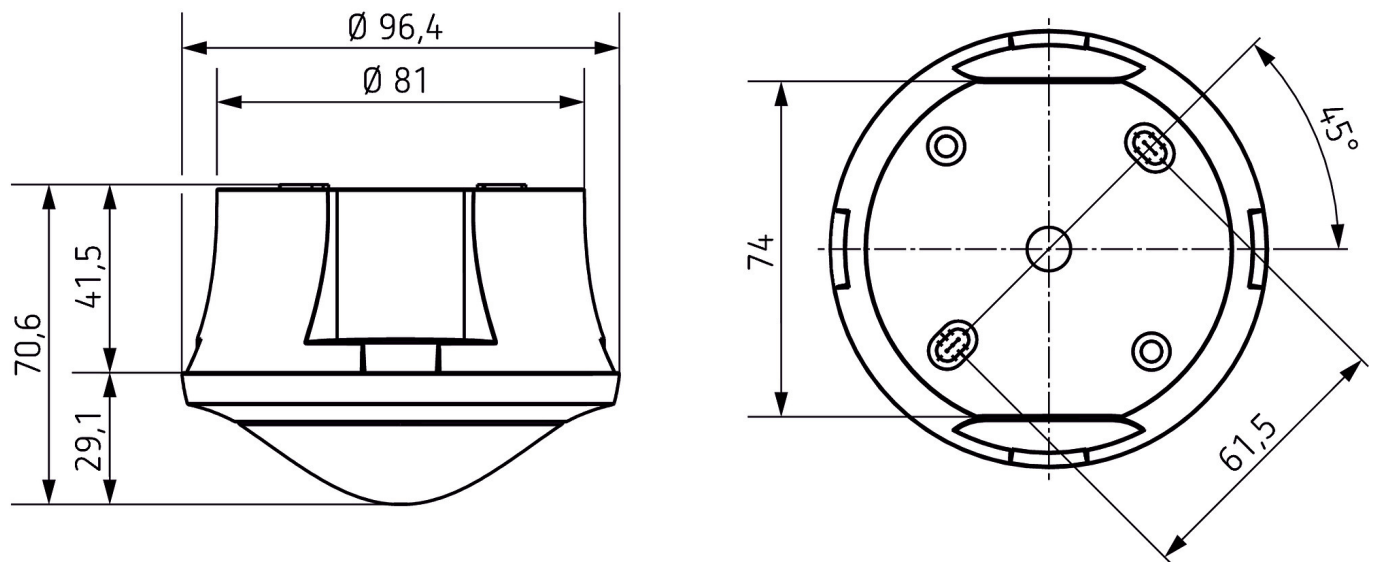
Item no.: 1030555

**theben**

Detection range for planning applications at a temperature of 21 °C



## Scale drawings



Subject to technical changes and misprints

additional information at: [www.theben.de/product/1030555](http://www.theben.de/product/1030555)

The load data are determined with exemplary selected illuminants and are therefore typical data due to the large number of available products.

# theMova S360-101 AP WH

Item no.: 1030555



## Accessories

### theSenda P

Item no.: 9070910



### theSenda S

Item no.: 9070911



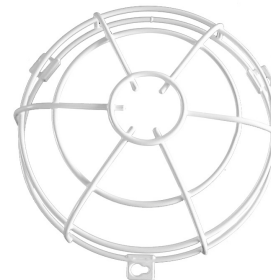
### theSenda B

Item no.: 9070985



### QuickSafe

Item no.: 9070531



Subject to technical changes and misprints

additional information at: [www.theben.de/product/1030555](http://www.theben.de/product/1030555)

The load data are determined with exemplary selected illuminants and are therefore typical data due to the large number of available products.