

PIRA TC AP

Item no.: 1030205



Presence and motion detectors Ceiling installation indoor

Description

- Motion detector (PIR) for surface-mounted ceiling installation indoors
- Rectangular detection area 360°, 25 x 3 m (75 m²) at 2,5 m mounting height
- 1 channel light (Relay, 230 V)
- Automatic motion and brightness-dependent control for lighting
- Mixed light measurement
- Operation as fully automatic device
- Brightness switching value configurable
- Time delay configurable
- Plug-in terminals: Quick and easy connection thanks to plug-in terminals optimally installed at a 45° angle in the indoor detectors.
- Ready for immediate operation thanks to factory presetting (brightness switching value 100 lux, switch-off delay 2 min)
- Wiring also possible with 2 x 2.5 mm² conductors.
- Permanent light measurement: PIRA T series can switch off the light when sufficient natural light is available. Even if someone is always moving in the detection area.
- Optimized for LED: Reliable switching of connected LED loads thanks to integrated zero-crossing circuit.
- sensNORM certified detection range, tested according to the stringent Theben requirements with 40,000 switching cycles.
- For corridors, hallways, stairwells



Technical data

PIRA TC AP	
Operating voltage	230 V AC
Frequency	50 Hz
Installation height	2 - 3,5 m
Installation type	Ceiling installation, Surface mounted
Colour	White
Switching output	Light
Power consumption	< 0,5 W
Light measurement	Mixed light measurement
Setting range brightness	5 - 1000 lx
Light switch-off delay	5 s - 15 min

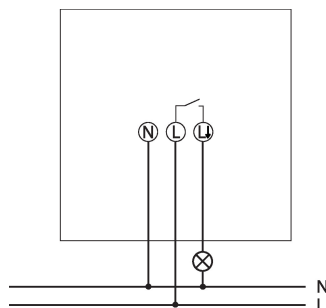
PIRA TC AP	
Lamp types	Incandescent/halogen lamps, fluorescent lamps, Energy saving lamps, LEDs
Incandescent/halogen lamp load	1000 W
LED lamp 2-8 W	200 W
LED lamp > 8 W	200 W
Type of connection	Spring terminals
Detection range	75 m ² (25 x 3 m)
Detection angle	360°
Ambient temperature	-5°C ... 40°C
Type of protection	IP 21

Subject to technical changes and misprints

additional information at: www.theben.de/product/1030205

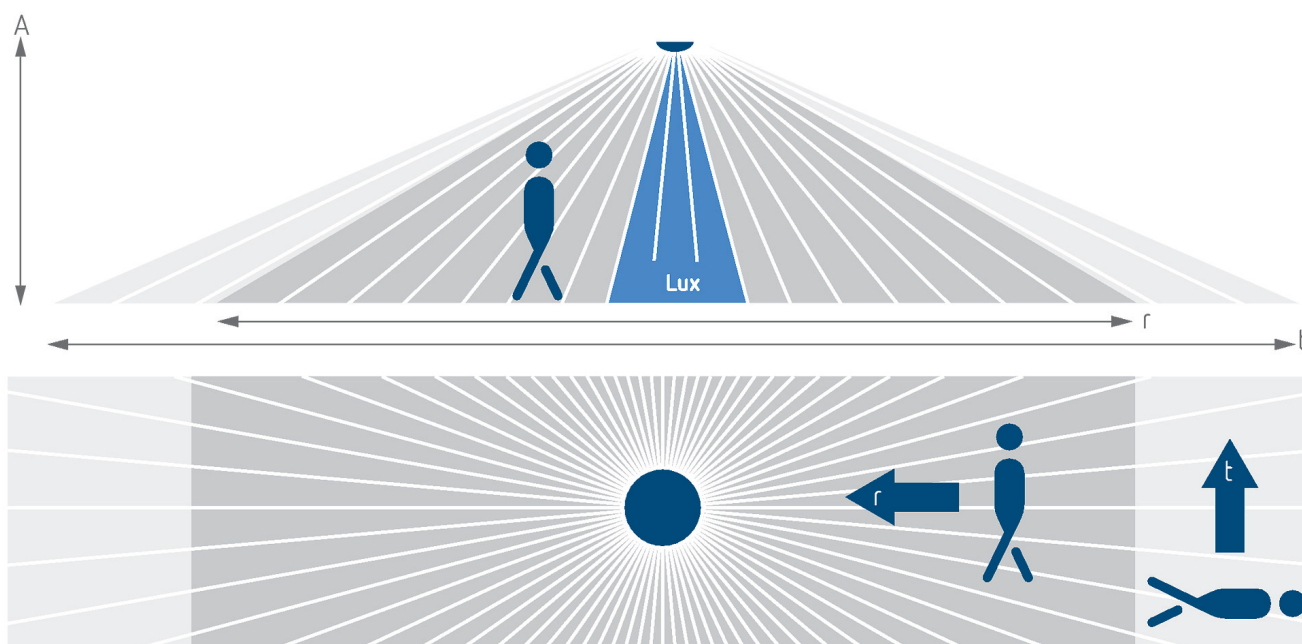
The load data are determined with exemplary selected illuminants and are therefore typical data due to the large number of available products.

Connection example



Detection range for planning applications at a temperature of 21 °C

Mounting height (A)		Diagonally (t)	Head on to (R)
2 m		20 x 3 m	9 x 3 m
2.5 m		25 x 3 m	12 x 3 m
3 m		26 x 3 m	12 x 3 m

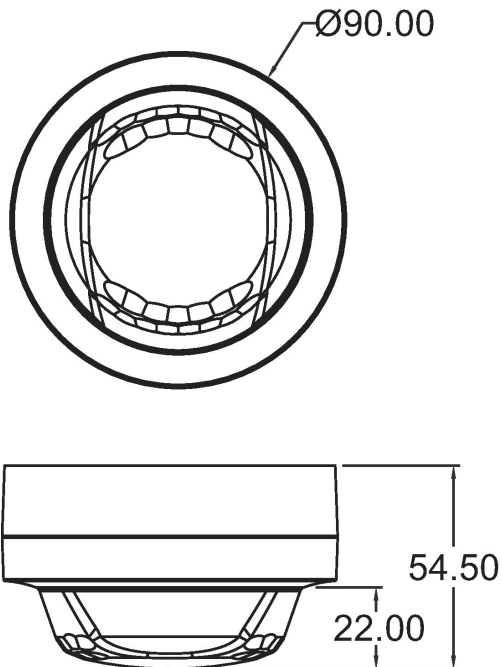


PIRA TC AP

Item no.: 1030205

theben

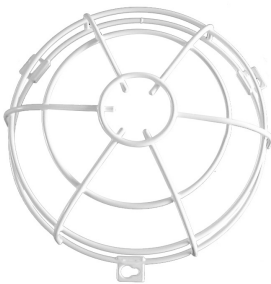
Scale drawings



Accessories

QuickSafe

Item no.: 9070531



Subject to technical changes and misprints

additional information at: www.theben.de/product/1030205

The load data are determined with exemplary selected illuminants and are therefore typical data due to the large number of available products.

02/06/2026

Page 3 of 3