

PIRA T6 Mini

Item no.: 1030202

Presence and motion detectors Ceiling installation indoor

Description

- Motion detector/Presence detector (PIR) for recess ceiling installation indoors
- Circular detection area 360°, up to Ø 6 m (28 m²) at mounting height 2.5 m
- 1 channel light (Relay, 230 V)
- Automatic motion and brightness-dependent control for lighting
- Mixed light measurement
- Operation as fully automatic device
- Brightness switching value configurable
- Time delay configurable
- Plug-in terminals: Quick and easy connection thanks to plug-in terminals optimally installed at a 45° angle in the indoor detectors.
- Ready for immediate operation thanks to factory presetting (brightness switching value 100 lux, switch-off delay 2 min)
- Wiring also possible with 2 x 2.5 mm² conductors.
- Permanent light measurement: PIRA T series can switch off the light when sufficient natural light is available. Even if someone is always moving in the detection area.
- Optimized for LED: Reliable switching of connected LED loads thanks to integrated zero-crossing circuit.
- sensNORM certified detection range, tested according to the stringent Theben requirements with 40,000 switching cycles.
- For storerooms, break room, kitchen



Technical data

PIRA T6 Mini	
Operating voltage	230 V AC
Frequency	50 Hz
Installation height	2 - 3 m
Installation type	Ceiling mounting, Indoor, Flush-mounted
Colour	White
Switching output	Light
Power consumption	< 0.5 W
Light measurement	Mixed light measurement
Setting range brightness	5 - 1000 lx
Light switch-off delay	5 s - 15 min

PIRA T6 Mini	
Lamp types	Incandescent/halogen lamps, fluorescent lamps, Energy saving lamps, LEDs
LED lamp 2-8 W	200 W
LED lamp > 8 W	200 W
Detection range	28 m² (Ø 6 m)
Detection angle	360°
Ambient temperature	-5°C ... 40°C
Type of protection	IP 21

Subject to technical changes and misprints

additional information at: www.theben.de/product/1030202

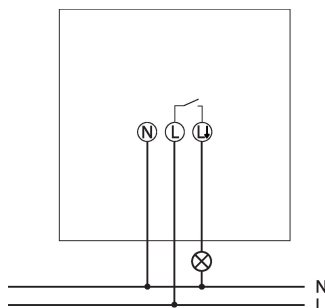
The load data are determined with exemplary selected illuminants and are therefore typical data due to the large number of available products.

PIRA T6 Mini

Item no.: 1030202

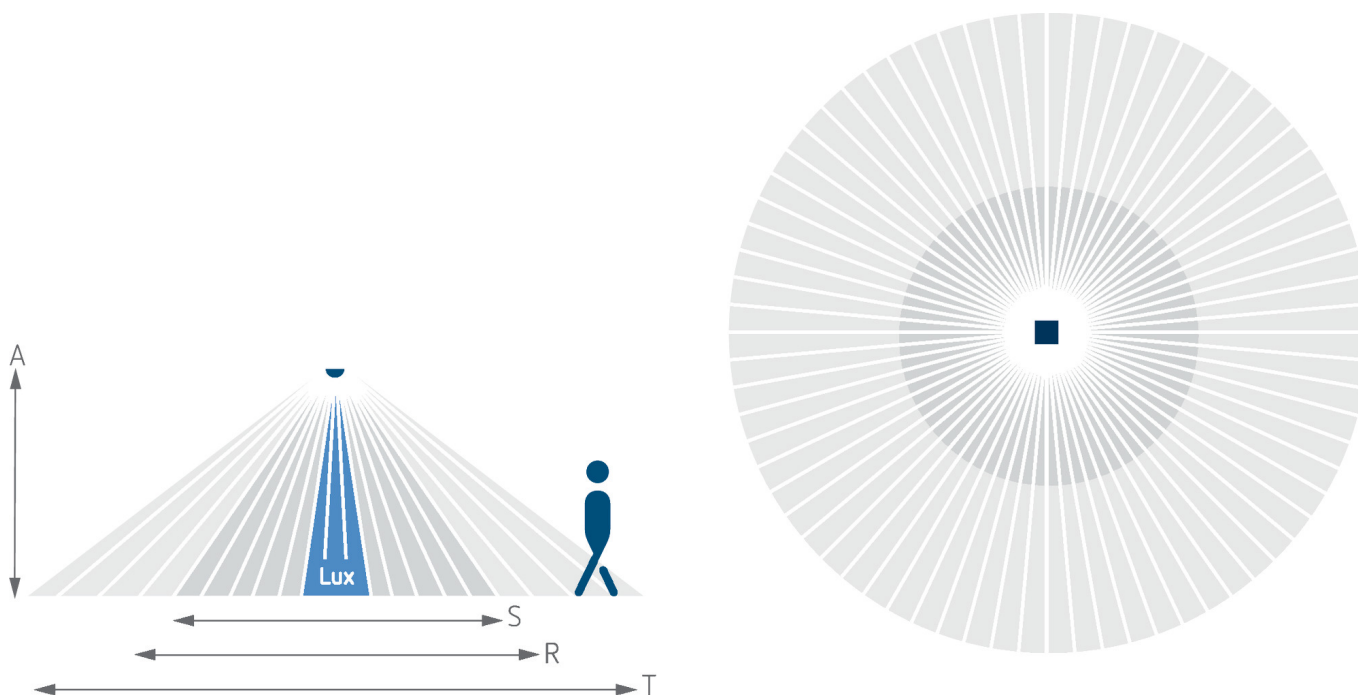


Connection example



Detection range for planning applications at a temperature of 21 °C

Mounting height (A)	Sitting (S)	Diagonally (t)	Head on to (R)
2 m	3 m ² 2 m	28 m ² 6 m	7 m ² 3 m
2.5 m	3 m ² 2 m	28 m ² 6 m	7 m ² 3 m
3 m	3 m ² 2 m	38 m ² 7 m	13 m ² 4 m



Subject to technical changes and misprints

additional information at: www.theben.de/product/1030202

The load data are determined with exemplary selected illuminants and are therefore typical data due to the large number of available products.

01/05/2026

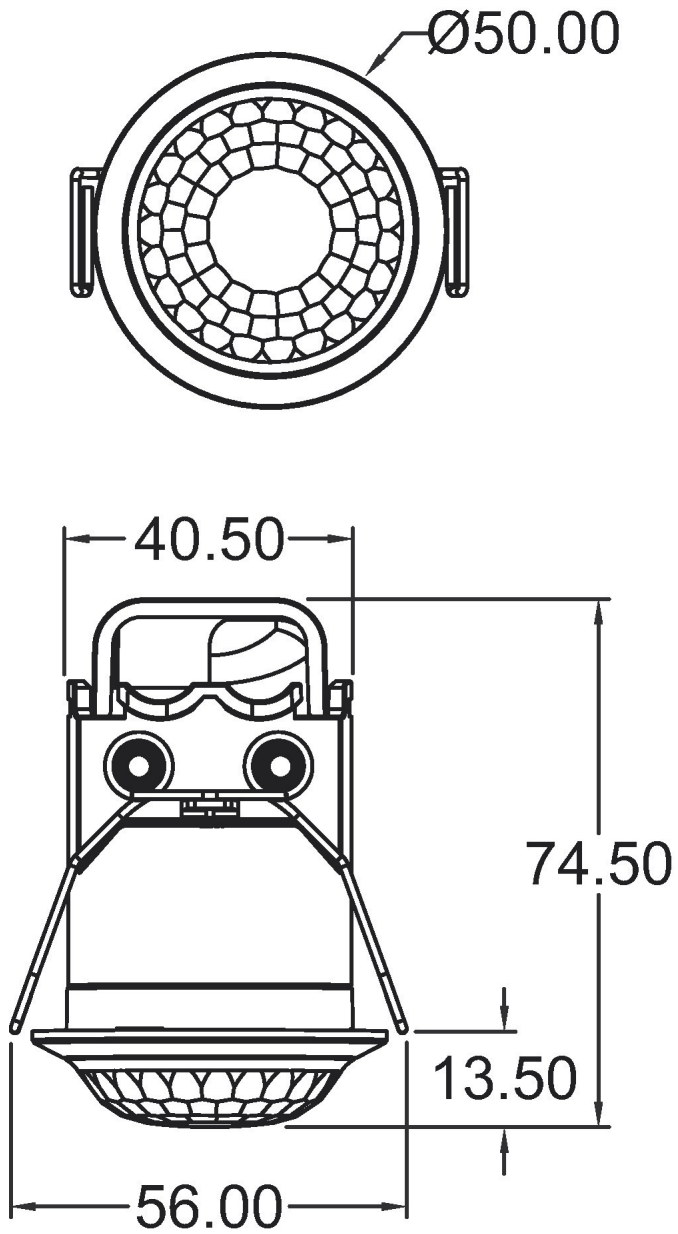
Page 2 of 4

PIRA T6 Mini

Item no.: 1030202

theben

Scale drawings



Subject to technical changes and misprints

additional information at: www.theben.de/product/1030202

The load data are determined with exemplary selected illuminants and are therefore typical data due to the large number of available products.

01/05/2026

Page 3 of 4

PIRA T6 Mini

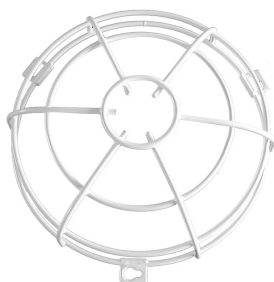
Item no.: 1030202

theben

Accessories

QuickSafe

Item no.: 9070531



Subject to technical changes and misprints

additional information at: www.theben.de/product/1030202

The load data are determined with exemplary selected illuminants and are therefore typical data due to the large number of available products.