

# PIRA T8-2 DE

Item no.: 1030201

theben

## Presence and motion detectors Ceiling installation indoor

### Description

- Motion detector/Presence detector (PIR) for recess ceiling installation indoors
- Circular detection area 360°, up to Ø 8 m (50 m²) at mounting height 2.5 m
- 1 channel light (Relay, 230 V) and 1 channel presence (relay potential-free for HVAC control)
- Automatic motion and brightness-dependent control for lighting and HVAC
- Mixed light measurement
- Operation as fully automatic device
- Brightness switching value configurable
- Time delay configurable
- Plug-in terminals: Quick and easy connection thanks to plug-in terminals optimally installed at a 45° angle in the indoor detectors.
- Ready for immediate operation thanks to factory presetting (brightness switching value 100 lux, switch-off delay 2 min)
- Wiring also possible with 2 x 2.5 mm² conductors.
- Permanent light measurement: PIRA T series can switch off the light when sufficient natural light is available. Even if someone is always moving in the detection area.
- Optimized for LED: Reliable switching of connected LED loads thanks to integrated zero-crossing circuit.
- sensNORM certified detection range, tested according to the stringent Theben requirements with 40,000 switching cycles.
- For toilets entrance areas, storerooms, storage areas, passageways aso.



### Technical data

PIRA T8-2 DE	
Operating voltage	230 V AC
Frequency	50 Hz
Installation height	2 - 3 m
Installation type	Ceiling mounting, Indoor, Flush-mounted
Colour	White
Switching output	Light   Presence
Power consumption	< 0.6 W
Light measurement	Mixed light measurement
Setting range brightness	5 - 1000 lx
Light switch-off delay	5 s - 15 min

PIRA T8-2 DE	
Lamp types	Incandescent/halogen lamps, fluorescent lamps, Energy saving lamps, LEDs
LED lamp 2-8 W	200 W
LED lamp > 8 W	200 W
Presence switch-off delay	10 s - 120 min
Switching capacity presence	50 W / 50 VA (max. 2 A), min. 0,5 mV / 10mA
Detection range	50 m² (Ø 8 m)
Detection angle	360°
Ambient temperature	-5°C ... 40°C
Type of protection	IP 21

Subject to technical changes and misprints

additional information at: [www.theben.de/product/1030201](http://www.theben.de/product/1030201)

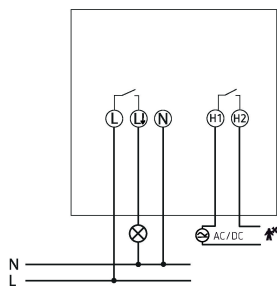
The load data are determined with exemplary selected illuminants and are therefore typical data due to the large number of available products.

# PIRA T8-2 DE

Item no.: 1030201

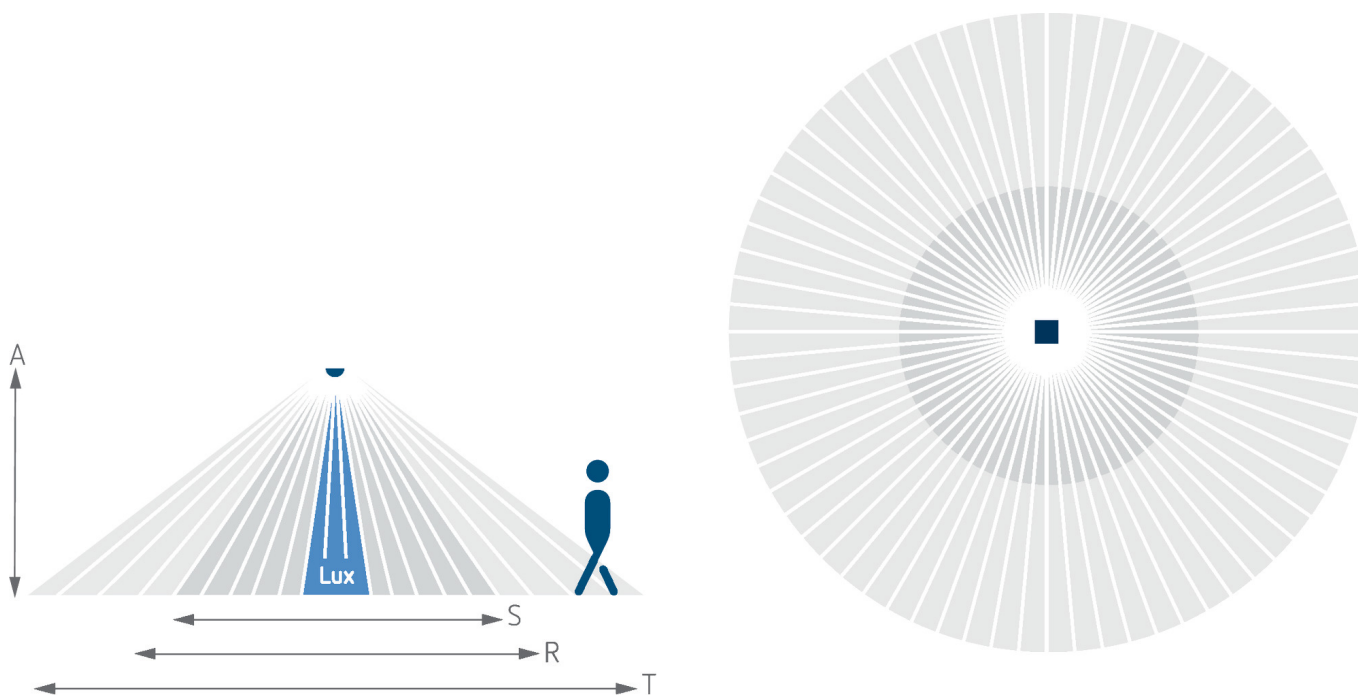
# theben

## Connection example



## Detection range for planning applications at a temperature of 21 °C

Mounting height (A)	Sitting (S)	Diagonally (t)	Head on to (R)
2 m	7 m <sup>2</sup>   3 m	38 m <sup>2</sup>   7 m	13 m <sup>2</sup>   4 m
2.5 m	7 m <sup>2</sup>   3 m	50 m <sup>2</sup>   8 m	13 m <sup>2</sup>   4 m
3 m	7 m <sup>2</sup>   3 m	64 m <sup>2</sup>   9 m	13 m <sup>2</sup>   4 m



Subject to technical changes and misprints

additional information at: [www.theben.de/product/1030201](http://www.theben.de/product/1030201)

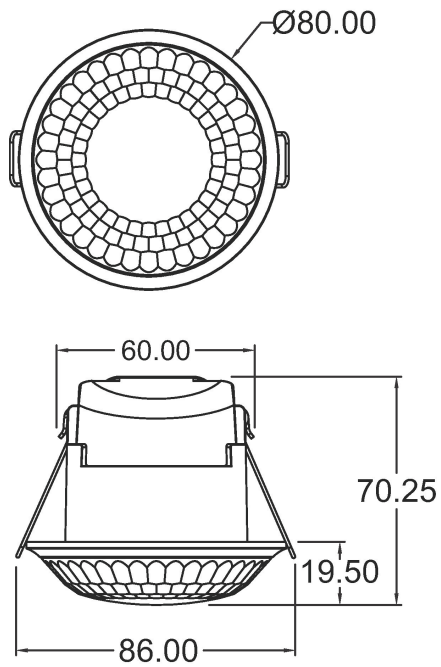
The load data are determined with exemplary selected illuminants and are therefore typical data due to the large number of available products.

# PIRA T8-2 DE

Item no.: 1030201

**theben**

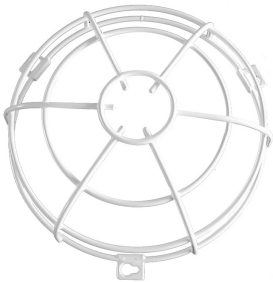
## Scale drawings



## Accessories

### QuickSafe

Item no.: 9070531



Subject to technical changes and misprints

additional information at: [www.theben.de/product/1030201](http://www.theben.de/product/1030201)

The load data are determined with exemplary selected illuminants and are therefore typical data due to the large number of available products.