

LUXA 103 S360-100-28 AP WH

Item no.: 1030082

theben

Presence and motion detectors Ceiling installation indoor

Description

- Passive infrared presence detector, for surface-mounting
- Rectangular detection area 360°, 28 x 5 m (140 m²) at 3 m mounting height
- 1 channel light (relay 230 V)
- Extension of the detection area by parallel switching, a maximum of 8 detectors can be connected in parallel
- Networking with wall detector theMura Slave possible
- Connection option for push-button for manual switching
- Operation as fully or semi-automatic possible
- One directional brightness measurement (mixed light measurement)
- Teach-in function, pulse function, test function, staircase lighting function
- Ready for operation immediately due to factory presetting
- Changes of values and settings are possible with potentiometers and with one of these optional remote controls:
 - App/universal remote control theSenda B
 - Service remote control theSenda P
 - Optional user remote control for manual override theSenda S/theSenda B
- Restriction of the detection range possible



Technical data

LUXA 103 S360-100-28 AP WH	
Operating voltage	230 V AC
Frequency	50 Hz
Stand-by consumption	ca. 0.5 W
Light measurement	Mixed light measurement
Colour	White
Switching output	Light
Installation type	Ceiling installation, Surface mounted
Detection angle	360°
Installation height	2.5 - 3.5 m
Light switch-off delay	15 s - 30 min
Incandescent/halogen lamp load	2300 W
Inrush current	max. 500 A / 200 µs

LUXA 103 S360-100-28 AP WH	
LED lamp 2-8 W	400 W
LED lamp > 8 W	400 W
Lamp types	Incandescent/halogen lamps, fluorescent lamps, Energy saving lamps, LEDs
Detection range	140 m ² (28 x 5 m)
Detection range	Rectangular
Remote controlled	✓
Ambient temperature	-25°C ... 55°C
Type of protection	IP 54

Subject to technical changes and misprints

additional information at: www.theben.de/product/1030082

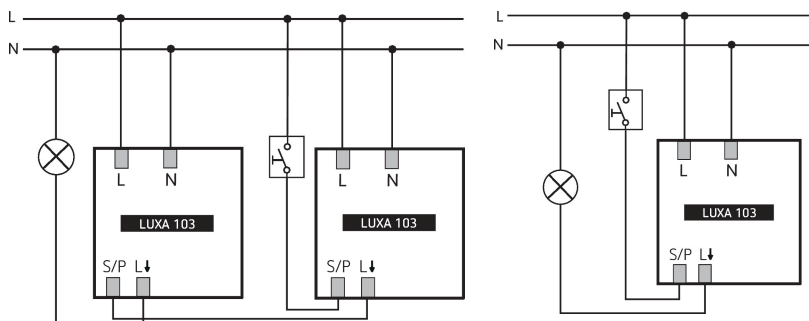
The load data are determined with exemplary selected illuminants and are therefore typical data due to the large number of available products.

LUXA 103 S360-100-28 AP WH

Item no.: 1030082

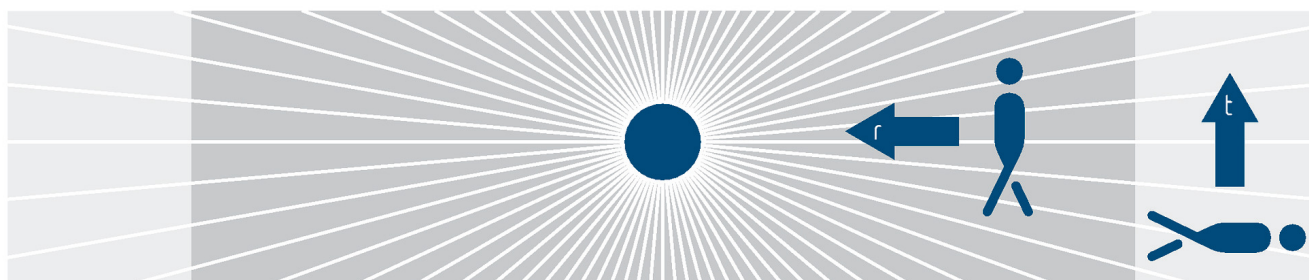
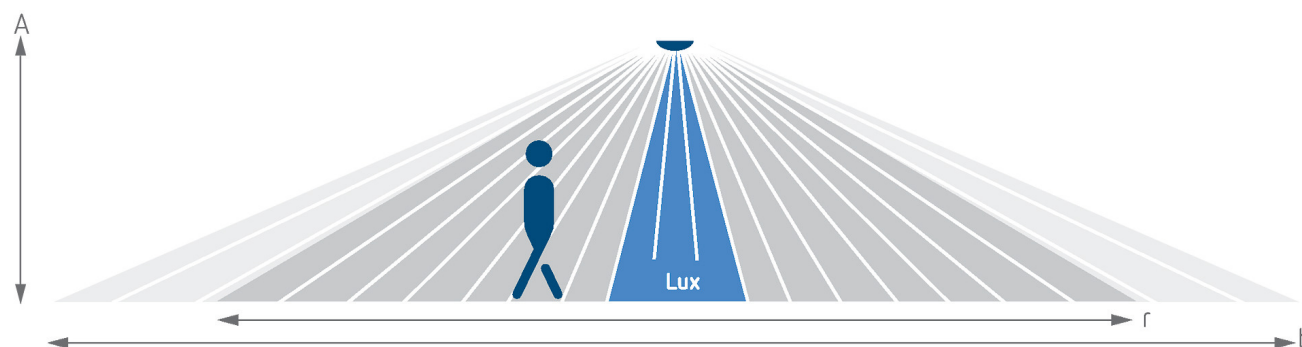


Connection example



Detection range for planning applications at a temperature of 21 °C

Mounting height (A)	Diagonally (T)	Head on to (R)	
2.5 m	140 m ² 28 m x 5 m	70 m ² 14 m x 5 m	
3 m	140 m ² 28 m x 5 m	70 m ² 14 m x 5 m	
3.5 m	104 m ² 26 m x 4 m	60 m ² 12 m x 5 m	



Subject to technical changes and misprints

additional information at: www.theben.de/product/1030082

The load data are determined with exemplary selected illuminants and are therefore typical data due to the large number of available products.

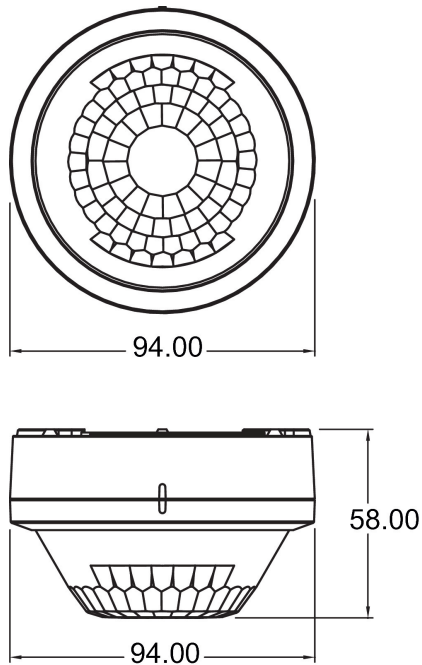
27/05/2026

Page 2 of 3

LUXA 103 S360-100-28 AP WH

Item no.: 1030082

Scale drawings



Accessories

theSenda P
Item no.: 9070910



theSenda S
Item no.: 9070911



theSenda B
Item no.: 9070985



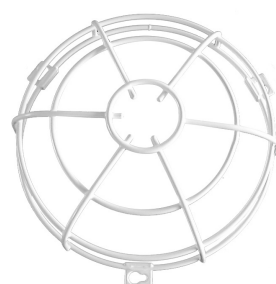
Surface box LUXA 103 BK
Item no.: 9070843



Surface box LUXA 103 GR
Item no.: 9070844



QuickSafe
Item no.: 9070531



Subject to technical changes and misprints

additional information at: www.theben.de/product/1030082

The load data are determined with exemplary selected illuminants and are therefore typical data due to the large number of available products.