

theLuxa P300 KNX WH

Item no.: 1019610

Presence and motion detectors
Ceiling installation outdoor

Description

- Motion detector (PIR)
- Automatic lighting control based on presence and brightness
- For integration into KNX building systems
- For outdoor use
- For installation on walls and ceilings
- Integrated temperature sensor
- For larger, commercial outdoors properties such as offices, public buildings, hotels, schools, car parks and warehouses
- Easy to program with KNX ETS software
- Adjustable brightness switching value and switch-off delay
- Sensitivity can be reduced
- Area limit via lens attachment
- Mixed light measurement
- Teach-in of current brightness value possible
- Pulse function
- Test function for checking detection area
- Installation on flush-mounted socket possible (60 mm)
- Single-handed plug-in installation
- Instant start-up possible via factory preset
- Controls are place protected
- Corner angle included
- Spacer and corner angle included



Technical data

theLuxa P300 KNX WH	
Detection angle	300°
Creep under protection	6 m
Installation type	Wall and ceiling installation
Light switch-off delay	1 s - 60 min
Lamp types	fluorescent lamps, Incandescent/ halogen lamps, Energy saving lamps, LEDs
Light measurement	Mixed light measurement

theLuxa P300 KNX WH	
Ambient temperature	-25°C ... 45°C
Detection range	Ø 32 m
Colour	White (similar RAL 9010)
Protection class	III
Type of protection	IP 55

Subject to technical changes and misprints

additional information at: www.theben.de/product/1019610

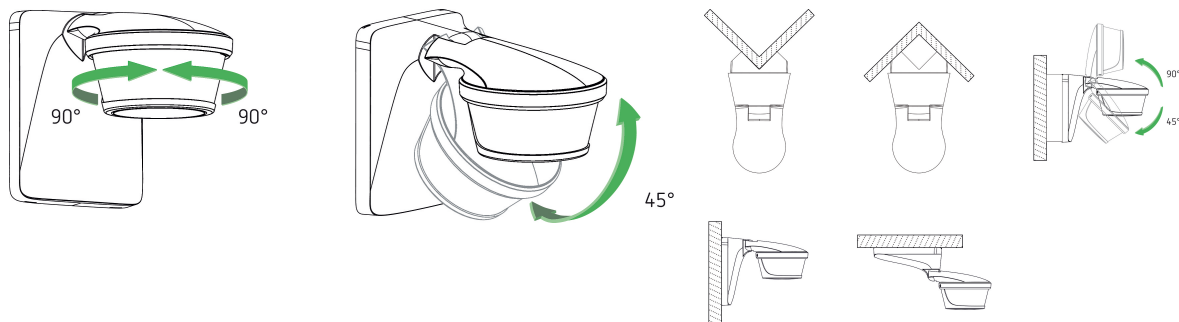
The load data are determined with exemplary selected illuminants and are therefore typical data due to the large number of available products.

theLuxa P300 KNX WH

Item no.: 1019610

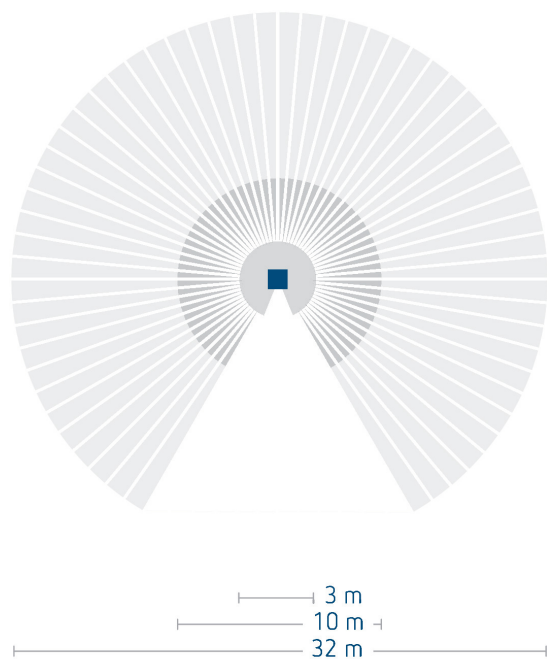


Connection example



Detection range for planning applications at a temperature of 21 °C

Mounting height (A)	Diagonally (t)	Head on to (R)
2 m	12 m	4 m
2.5 m	16 m	5 m
3 m	16 m	5 m
3.5 m	16 m	5 m
4 m	12 m	4 m



Subject to technical changes and misprints

additional information at: www.theben.de/product/1019610

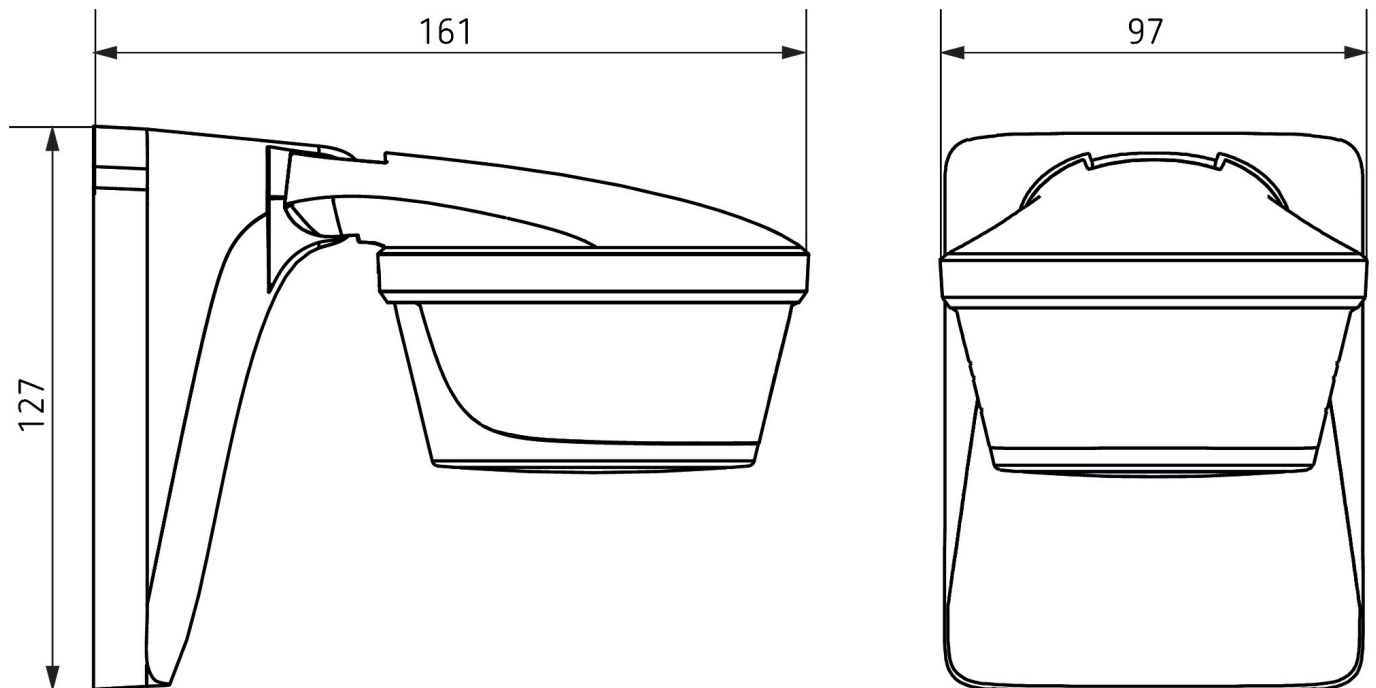
The load data are determined with exemplary selected illuminants and are therefore typical data due to the large number of available products.

theLuxa P300 KNX WH

Item no.: 1019610



Scale drawings



Accessories

theSenda P
Item no.: 9070910



theSenda S
Item no.: 9070911



Corner angle theLuxa P WH
Item no.: 9070904



Spacer theLuxa P WH
Item no.: 9070908



Subject to technical changes and misprints

additional information at: www.theben.de/product/1019610

The load data are determined with exemplary selected illuminants and are therefore typical data due to the large number of available products.