

theLuxa P300 BK

Item no.: 1010611

theben

Presence and motion detectors Ceiling installation outdoor

Description

- Motion detector (PIR)
- Automatic lighting control based on presence and brightness
- 300° detection angle
- For outdoor use
- For installation on walls and ceilings
- For larger, commercial outdoors properties such as offices, public buildings, hotels, schools, car parks and warehouses
- Adjustable brightness switching value and switch-off delay
- Sensitivity can be reduced to limit detection area
- Area limit via lens attachment
- Mixed light measurement suitable for the control of fluorescent, incandescent, halogen lamps and LEDs
- Teach-in of current brightness value possible
- Pulse function
- Test function for checking detection area
- Installation on flush-mounted socket possible (60 mm)
- Single-handed plug-in installation
- Instant start-up possible via factory preset
- Controls are place protected
- Terminal for protective earth conductor
- Spacer and corner angle included in delivery



Technical data

theLuxa P300 BK	
Operating voltage	230 V AC
Frequency	50 Hz
Stand-by consumption	~0.3 W
Light measurement	Mixed light measurement
Number of channels	1
Colour	Black (similar RAL 9005)
Switching output	Light
Installation type	Wall and ceiling installation, Surface mounted
Switching capacity	10 A at 230 V AC, $\cos \varphi = 1$, 10 AX at 230 V AC, $\cos \varphi = 0.3$
Detection angle	300°
Installation height	2 - 4 m
Light switch-off delay	1 s - 20 min
Incandescent/halogen lamp load	2300 W

theLuxa P300 BK	
Fluorescent lamp load (conventional) parallel-corrected	1300 VA 140 μ F
Energy saving lamps	300 W
Inrush current	max. 800 A / 200 μ s
LED lamp < 2 W	60 W
LED lamp 2-8 W	600 W
LED lamp > 8 W	600 W
Lamp types	Incandescent/halogen lamps, fluorescent lamps, Energy saving lamps, LEDs
Detection range	\varnothing 32 m
Detection range	Round
Remote controlled	✓
Ambient temperature	-25°C ... 45°C
Protection class	II
Type of protection	IP 55

Subject to technical changes and misprints

additional information at: www.theben.de/product/1010611

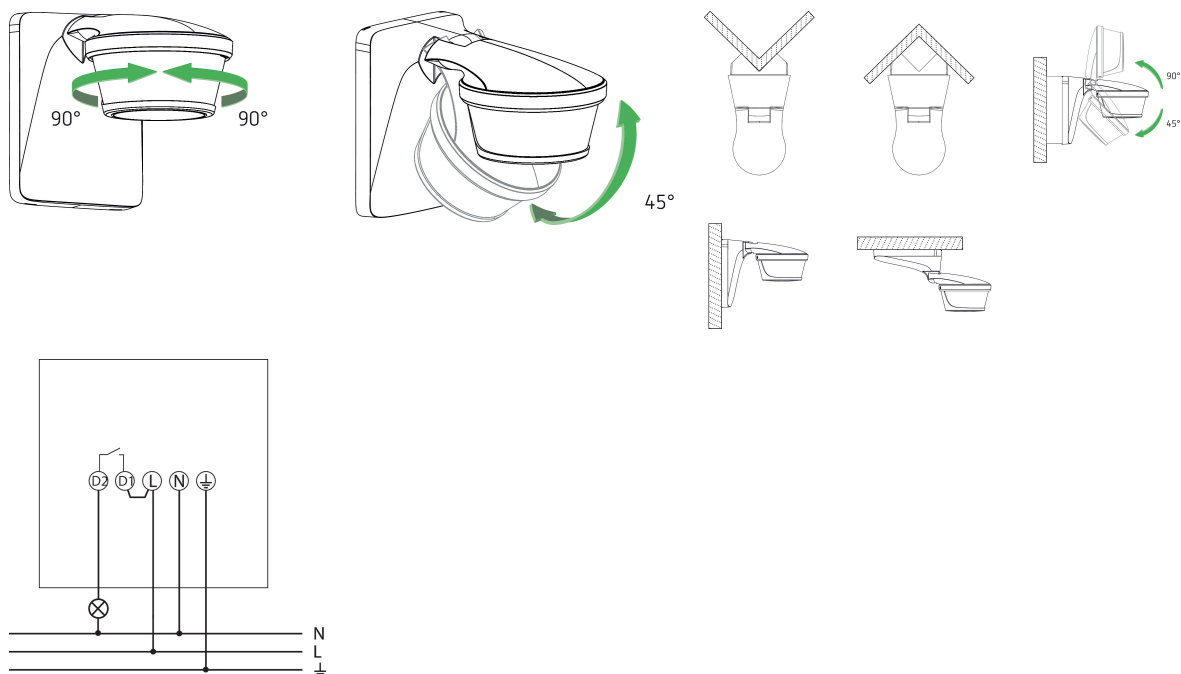
The load data are determined with exemplary selected illuminants and are therefore typical data due to the large number of available products.

theLuxa P300 BK

Item no.: 1010611

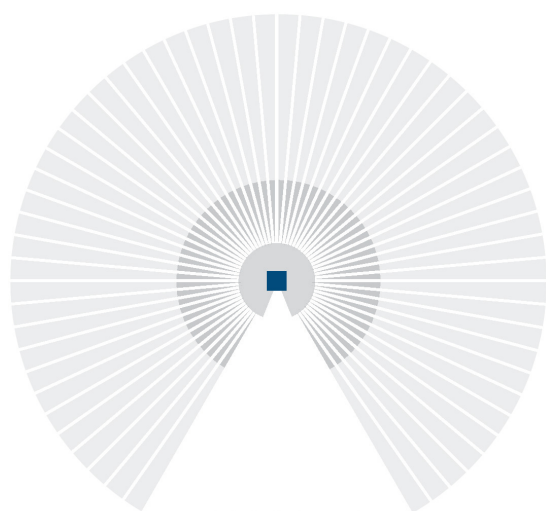


Connection example



Detection range for planning applications at a temperature of 21 °C

Mounting height (A)	Diagonally (t)	Head on to (R)	
2 m	12 m	4 m	
2.5 m	16 m	5 m	
3 m	16 m	5 m	
3.5 m	16 m	5 m	
4 m	12 m	4 m	



Subject to technical changes and misprints

additional information at: www.theben.de/product/1010611

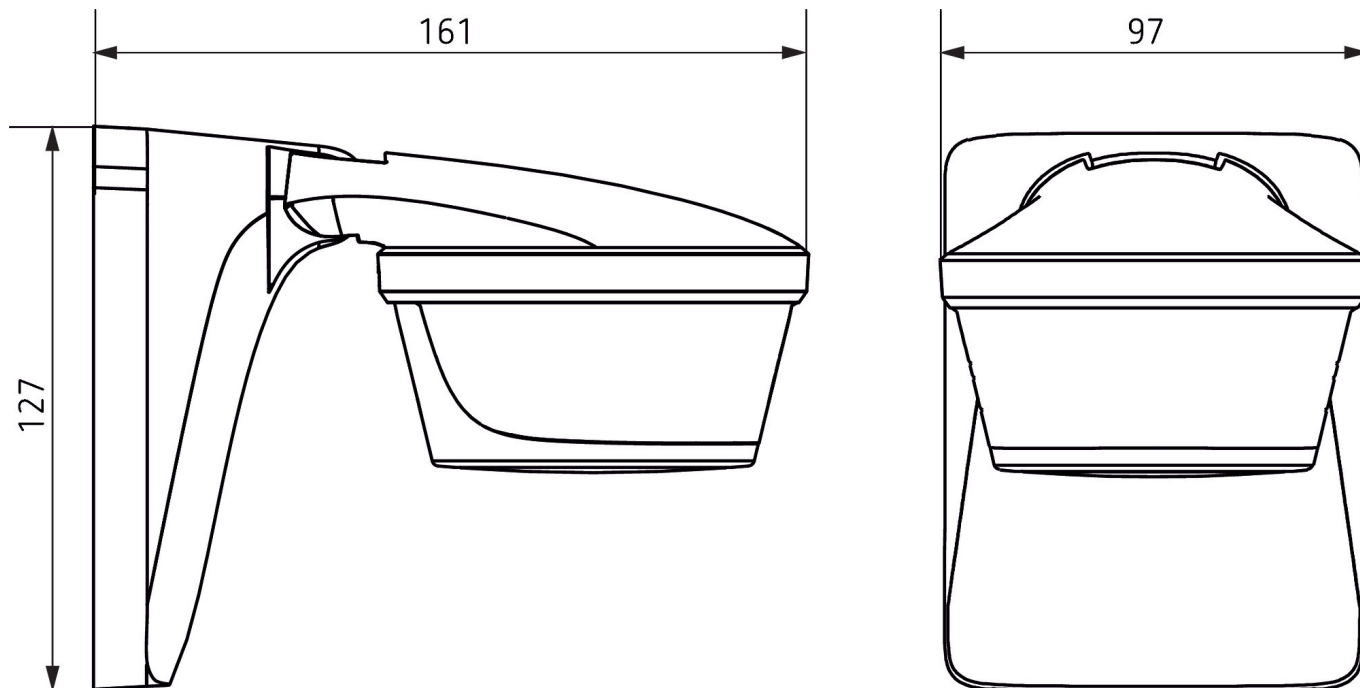
The load data are determined with exemplary selected illuminants and are therefore typical data due to the large number of available products.

theLuxa P300 BK

Item no.: 1010611

theben

Scale drawings



Accessories

theSenda P
Item no.: 9070910



theSenda S
Item no.: 9070911



Subject to technical changes and misprints

additional information at: www.theben.de/product/1010611

The load data are determined with exemplary selected illuminants and are therefore typical data due to the large number of available products.