

TECTA D280i AN

Item no.: 1010111

theben

Presence and motion detectors Wall installation outdoor

Description

- Passive infra-red motion detector for wall installation
- 280° detection angle, Ø 24 m
- Detection area digitally adjustable via app, no mechanical adjustment necessary
- Mode selection: Automatic / permanent light / D-MODE
- Can be linked in groups
- Adjustable brightness switching value and switch-off delay
- Area limit via lens attachment
- Mixed light measurement suitable for the control of fluorescent, incandescent, halogen lamps and LEDs
- Zero-cross switching for relay-saving switching and high lamp loads
- Test function for checking detection area
- Installation on flush-mounted socket possible (60 mm)
- Single-handed plug-in installation
- Instant start-up possible via factory preset



Technical data

TECTA D280i AN	
Operating voltage	230 V AC
Frequency	50 Hz
Stand-by consumption	<0,4 W
Light measurement	Mixed light measurement
Number of channels	1
Colour	Anthracite
Switching output	Light
Installation type	Wall installation, Surface mounted
Switching capacity	at 230 V AC, cos φ = 1
Detection angle	280°
Light switch-off delay	5 s - 30 min
Incandescent/halogen lamp load	2300 W

TECTA D280i AN	
Energy saving lamps	150 W
LED lamp 2-8 W	600 W
LED lamp > 8 W	600 W
Lamp types	Incandescent/halogen lamps, fluorescent lamps, Energy saving lamps, LEDs
Detection range	Ø 24 m
Detection range	Round
Ambient temperature	-25°C ... 55°C
Protection class	II
Type of protection	IP 55

Subject to technical changes and misprints

additional information at: www.theben.de/product/1010111

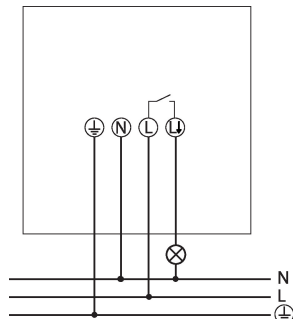
The load data are determined with exemplary selected illuminants and are therefore typical data due to the large number of available products.

TECTA D280i AN

Item no.: 1010111

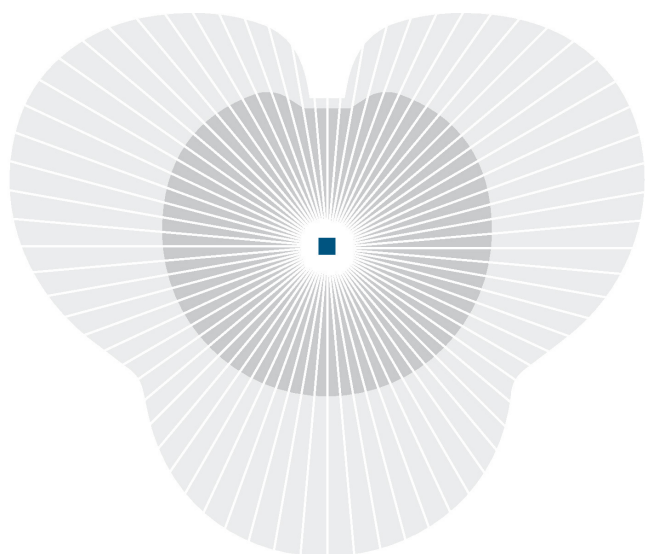


Connection example



Detection range for planning applications at a temperature of 21 °C

Mounting height	Diagonally (t)	Head on to (r)	
2,5 m	12 m	5 m	
3 m	16 m	6 m	
3,5 m	16 m	6 m	
4 m	18 m	7 m	
4,5 m	20 m	7 m	
5 m	22 m	7 m	
6 m	25 m	10 m	



Sens NORM
certified



Subject to technical changes and misprints

additional information at: www.theben.de/product/1010111

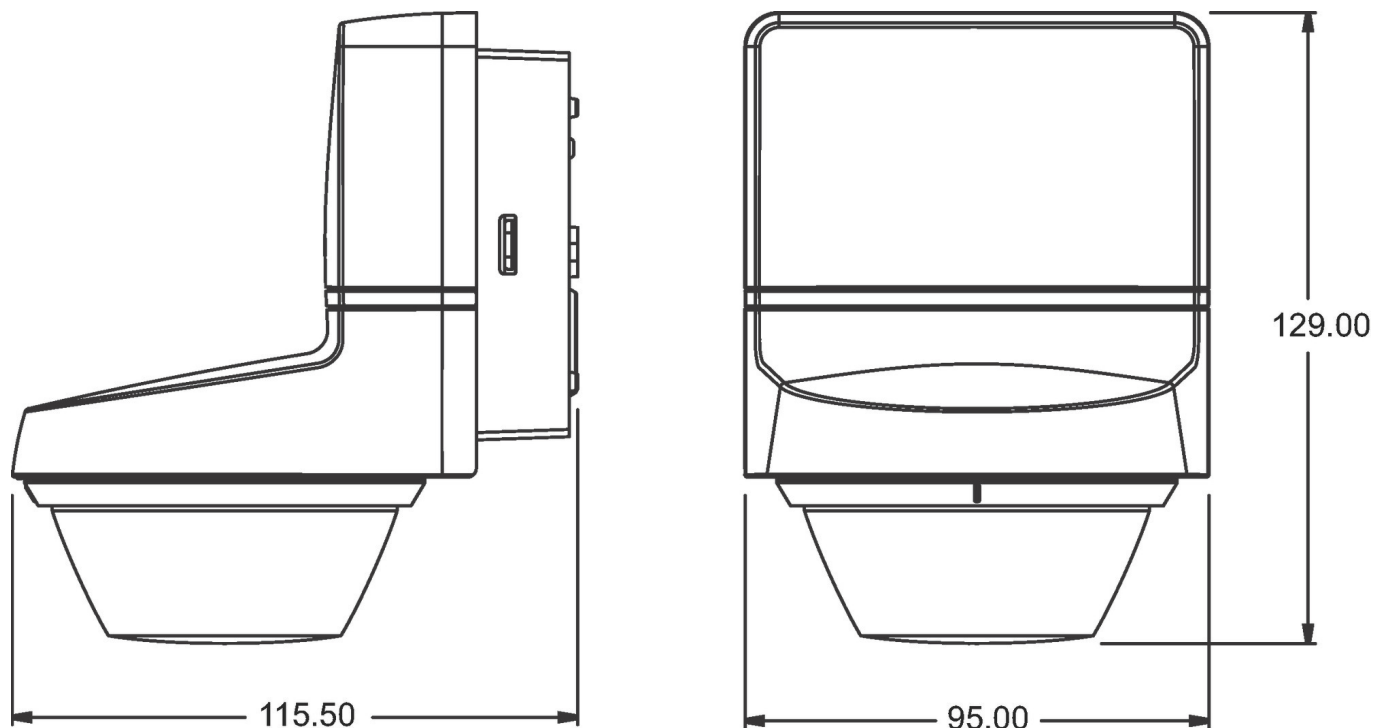
The load data are determined with exemplary selected illuminants and are therefore typical data due to the large number of available products.

TECTA D280i AN

Item no.: 1010111

theben

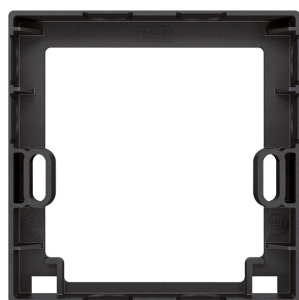
Scale drawings



Accessories

Corner angle 10 AN
Item no.: 9080031

Spacer 10 AN
Item no.: 9080032



Subject to technical changes and misprints

additional information at: www.theben.de/product/1010111

The load data are determined with exemplary selected illuminants and are therefore typical data due to the large number of available products.