

# TECTA D180 AN

Item no.: 1010101

Presence and motion detectors  
Wall installation outdoor

## Description

- Passive infra-red motion detector for wall installation
- 180° detection angle
- For outdoor use
- Adjustable brightness switching value and switch-off delay
- Area limit via lens attachment
- Mixed light measurement suitable for the control of fluorescent, incandescent, halogen lamps and LEDs
- Zero-cross switching for relay-saving switching and high lamp loads
- Test function for checking detection area
- Installation on flush-mounted socket possible (60 mm)
- Single-handed plug-in installation
- Instant start-up possible via factory preset
- Terminal for protective earth conductor



## Technical data

TECTA D180 AN	
Operating voltage	230 V AC
Frequency	50 Hz
Stand-by consumption	<0.2 W
Light measurement	Mixed light measurement
Number of channels	1
Colour	Anthracite
Switching output	Light
Installation type	Wall installation, Surface mounted
Switching capacity	at 230 V AC, $\cos \varphi = 1$
Detection angle	180°
Light switch-off delay	10 s - 30 min
Incandescent/halogen lamp load	2300 W

TECTA D180 AN	
Energy saving lamps	150 W
LED lamp 2-8 W	400 W
LED lamp > 8 W	400 W
Lamp types	Incandescent/halogen lamps, fluorescent lamps, Energy saving lamps, LEDs
Detection range	14 m
Detection range	Semicircular
Ambient temperature	-25°C ... 55°C
Protection class	II
Type of protection	IP 55

Subject to technical changes and misprints

additional information at: [www.theben.de/product/1010101](http://www.theben.de/product/1010101)

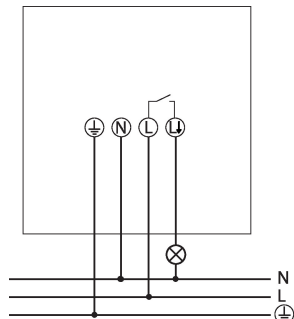
The load data are determined with exemplary selected illuminants and are therefore typical data due to the large number of available products.

# TECTA D180 AN

Item no.: 1010101

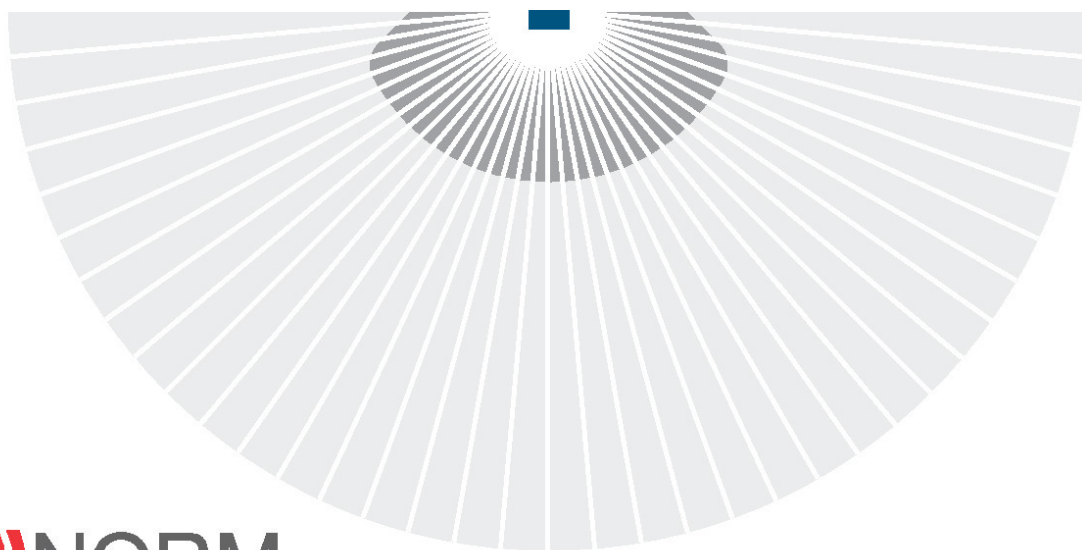
**theben**

## Connection example



## Detection range for planning applications at a temperature of 21 °C

Mounting height (A)	Diagonally (t)	Head on to (R)	
1,8 m	10 m	3 m	
2,2 m	12 m	4 m	
2.5 m	14 m	5 m	



**sens** NORM  
certified



Subject to technical changes and misprints

additional information at: [www.theben.de/product/1010101](http://www.theben.de/product/1010101)

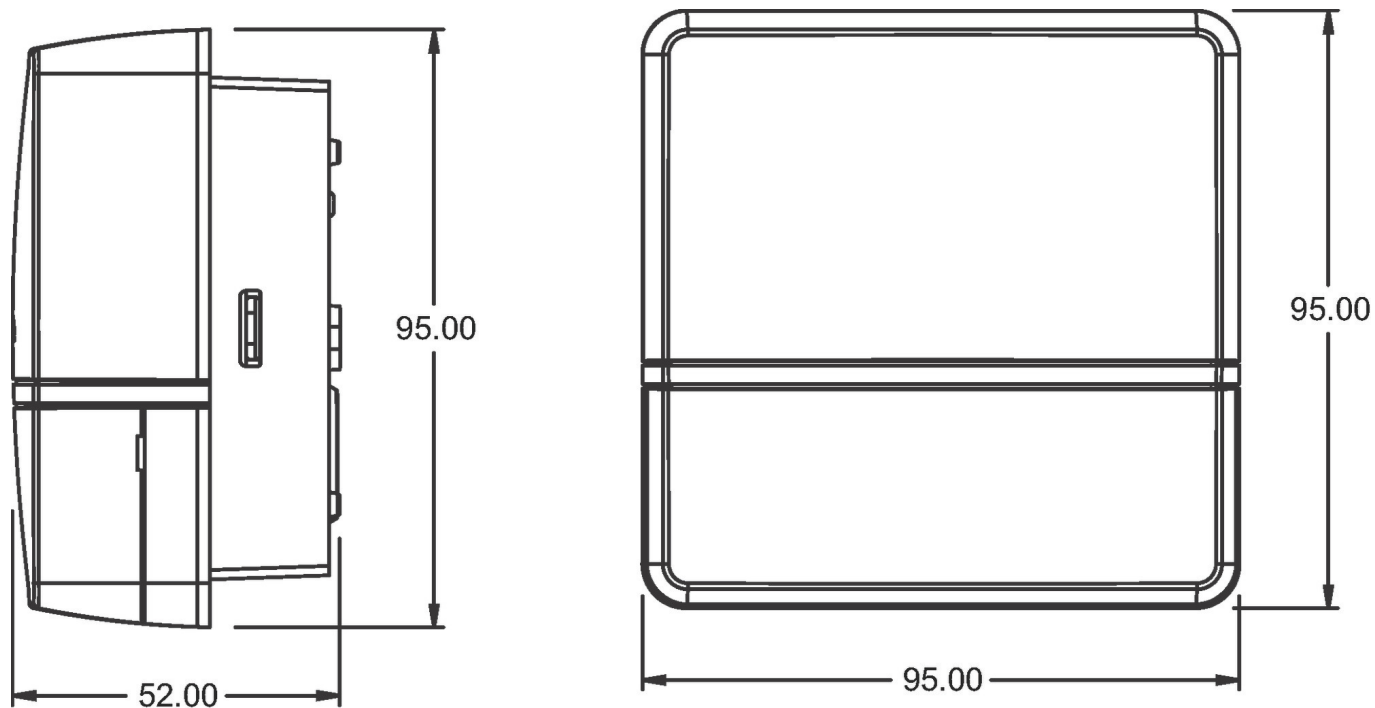
The load data are determined with exemplary selected illuminants and are therefore typical data due to the large number of available products.

# TECTA D180 AN

Item no.: 1010101

**theben**

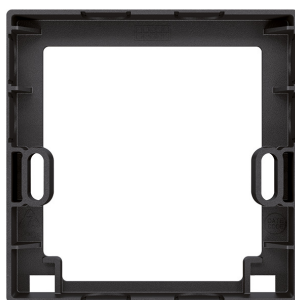
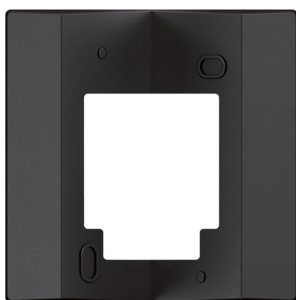
## Scale drawings



## Accessories

**Corner angle 10 AN**  
Item no.: 9080031

**Spacer 10 AN**  
Item no.: 9080032



Subject to technical changes and misprints

additional information at: [www.theben.de/product/1010101](http://www.theben.de/product/1010101)

The load data are determined with exemplary selected illuminants and are therefore typical data due to the large number of available products.

28/05/2026  
Page 3 of 3