

1. Designated use

The weather station measures temperature, brightness and wind speed. The device is designed for use on buildings.

ETS (Engineering Tool Software) enables application programs to be selected, specific parameters and addresses to be assigned and transferred to the device.

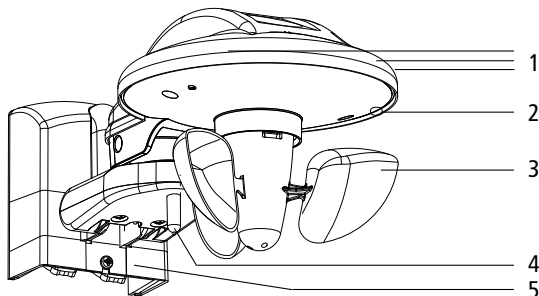
2. Safety instructions



- Installation should only be carried out by a professional electrician.
- Please note the provisions of EN 50428 for switches or similar installations for use in building system technology regarding the correct installation of bus lines and setting up of devices. Tampering with, or making modifications to, the device will invalidate the guarantee.

Caution: When it is windy, awnings/blinds take time to retract. Configure the wind thresholds below the value provided by the awning/blinds manufacturer.

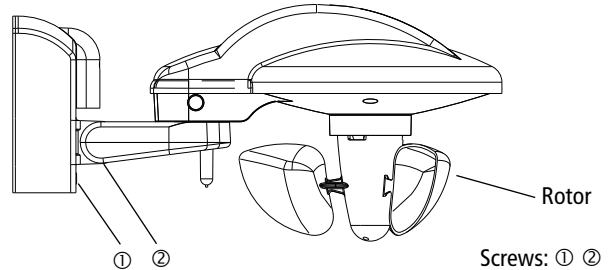
3. Description



- 1 three light sensors (front, right and left)
- 2 Programming push button and LED for the physical address
- 3 Rotor
- 4 Temperature sensor
- 5 Wall bracket with connection for mains supply and bus connection (KNX)

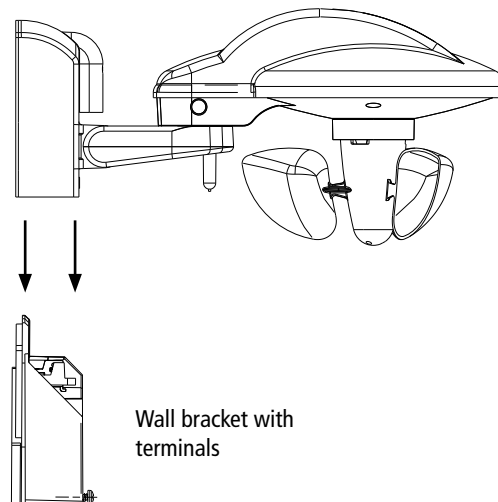
4. Installation

- Do not install the wind sensor in a sheltered position.
- Avoid shadows (e.g. from masts etc.) and reflected light.
- Pay attention to mounting position
 - Rotor pointing down



Wall-mounting

- Secure the wall bracket to the wall etc. with the screws and washers provided (see chap. 5). The washers are important to achieve the IP 44 protection rating.
- Feed the cables through the rubber seals and insert in the terminals.
- Loosen the screws ②.
- Push down the weather station until it clicks into place.
- Tighten screw ①.
- Install the weather station horizontally and tighten screws ②.

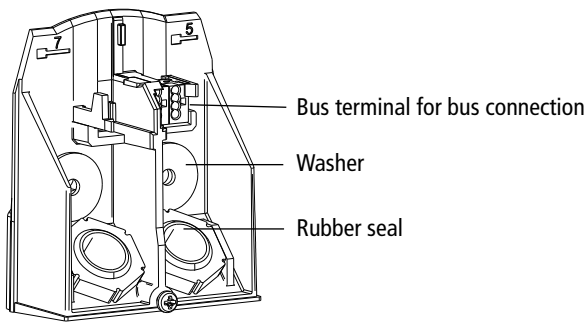


Mast or corner bracket fixing

The weather station can also be attached to a mast with mast or corner fixing (accessory 9070380).

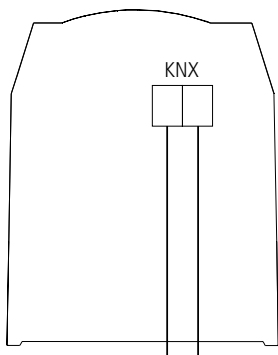
This installation method is recommended if wind is to be registered from all directions

5. Electrical connection



Feed in lines

- Feed cable for bus through the rubber seals provided- and plug the lines into the bus terminal.



6. Enter physical address

- Press the programming push button **3** on the bottom of the device with a screwdriver.
The programming LED flashes.
Metadata 140 basic KNX is in program mode.

7. Technical data

- Operating voltage KNX: 21 – 32 V DC
Power input KNX bus: ≤10 mA
- Permissible ambient temperature: –20 °C ... +55 °C
- Protection class: III
- Protection rating: IP 44 in accordance with EN 60529
- Cable: JSTY 2 x 2 x 0.8 mm (bus cable)
- Mast installation: Dm 50–60 mm (accessory 9070380)
- Wind sensor: 2–30 m/s
- Brightness sensor (3): 1–100,000 lux
- Temperature sensor: –30 °C to +60 °C

The ETS database is available at www.theben.de
Please refer to the KNX Handbook for detailed functional descriptions.

Theben AG
Hohenbergstr. 32
72401 Haigerloch
GERMANY
Telephone +49 7474 692-0
Fax +49 7474 692-150

Service
Telephone +49 7474 692-369
Fax +49 7474 692-207
hotline@theben.de

Addresses, telephone numbers etc. at
www.theben.de