

theRonda S360 DALI-2 S UP WH

Item no.: 2080590

Presence and motion detectors Indoor detectors

Description

- Passive infra-red presence sensor for flush-mounted ceiling installation, DALI-2 certified
- Circular detection area 360°, Ø 8 m, (50 m²) at mounting height 3 m
- This device provides information about presence and brightness in the form of a DALI telegram in line with IEC 62386 Part 303/304
- Area restriction with cover clips (optional)
- 1 instance for presence
- Mixed light measurement
- 1 instance for brightness
- Easy to calibrate brightness measurement
- Test mode for checking function and detection area
- Configurable detection sensitivity
- Can be configured via DALI bus or remote control
- The „theSenda S“ or „theSenda B“ user remote controls can be used to dim or switch the lamps, to control the blinds, or to execute additional functions via the higher-level control
- Ceiling installation in flush-mounted box
- Surface-mounted installation possible with surface frame 110A (optional)
- Area restriction with cover clips (optional)
- „theSenda B“ app remote control (optional) and corresponding „theSenda Plug“ app (for iOS/Android)
- A Multi-Master Application Controller is required for commissioning/control and configuration. According to IEC 62386, this must include parts 101/103 and optionally 301/303/304



Subject to technical changes and misprints

additional information at: www.theben.de/product/2080590

The load data are determined with exemplary selected illuminants and are therefore typical data due to the large number of available products.

theRonda S360 DALI-2 S UP WH

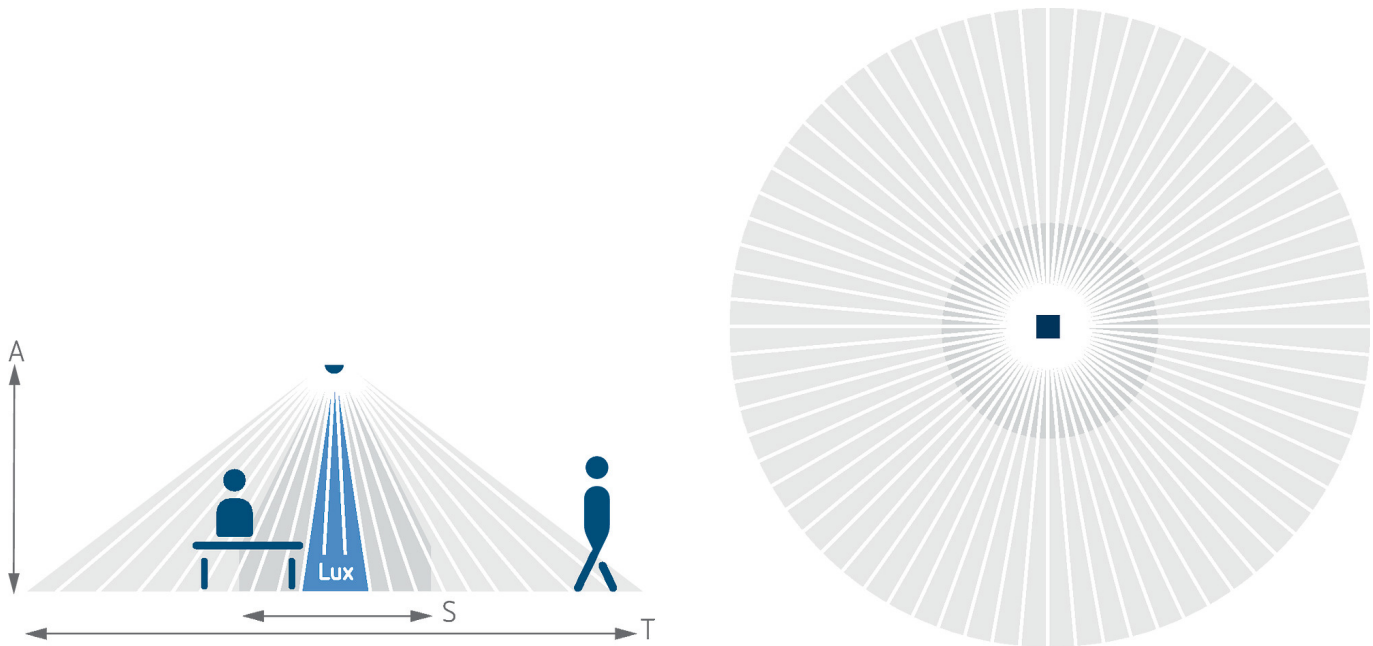
Item no.: 2080590

Technical data

theRonda S360 DALI-2 S UP WH		theRonda S360 DALI-2 S UP WH	
Operating voltage	DALI	Setting range brightness	10 – 10000 lx
Installation height	2 – 4 m	Max. cable cross section	max. 2 x 2,5 mm ²
Minimum height	> 1,7 m	Size of concealed housing	Ø 55 mm (NIS, PMI)
Installation type	Ceiling installation	Detection range	50 m ² (Ø 8 m 360°)
Switching output	Sensor DALI	Ambient temperature	-15°C ... 50°C
Stand-by consumption	≤10 mA	Type of protection	IP 54 (when fitted)
Light measurement	Mixed light measurement		

Detection range for planning applications

Mounting height (A)	Sitting (S)	Diagonally (T)	Head on to (R)
2 m	5 m ² 2.5 m	38 m ² 7 m	5 m ² 2.5 m
2.5 m	7 m ² 3 m	38 m ² 7 m	7 m ² 3 m
3 m	13 m ² 4 m	50 m ² 8 m	13 m ² 4 m
3.5 m		50 m ² 8 m	13 m ² 4 m
4 m		64 m ² 9 m	13 m ² 4 m



Detection range according to Sensnorm IEC 63180

Mounting height (A)	Diagonally (T)	Head on to (R)	Sitting (S)
2.5 m	50 m ² 8 m	28 m ² 6 m	20 m ² 5 m
4 m	79 m ² 10 m	71 m ² 9.5 m	

Subject to technical changes and misprints

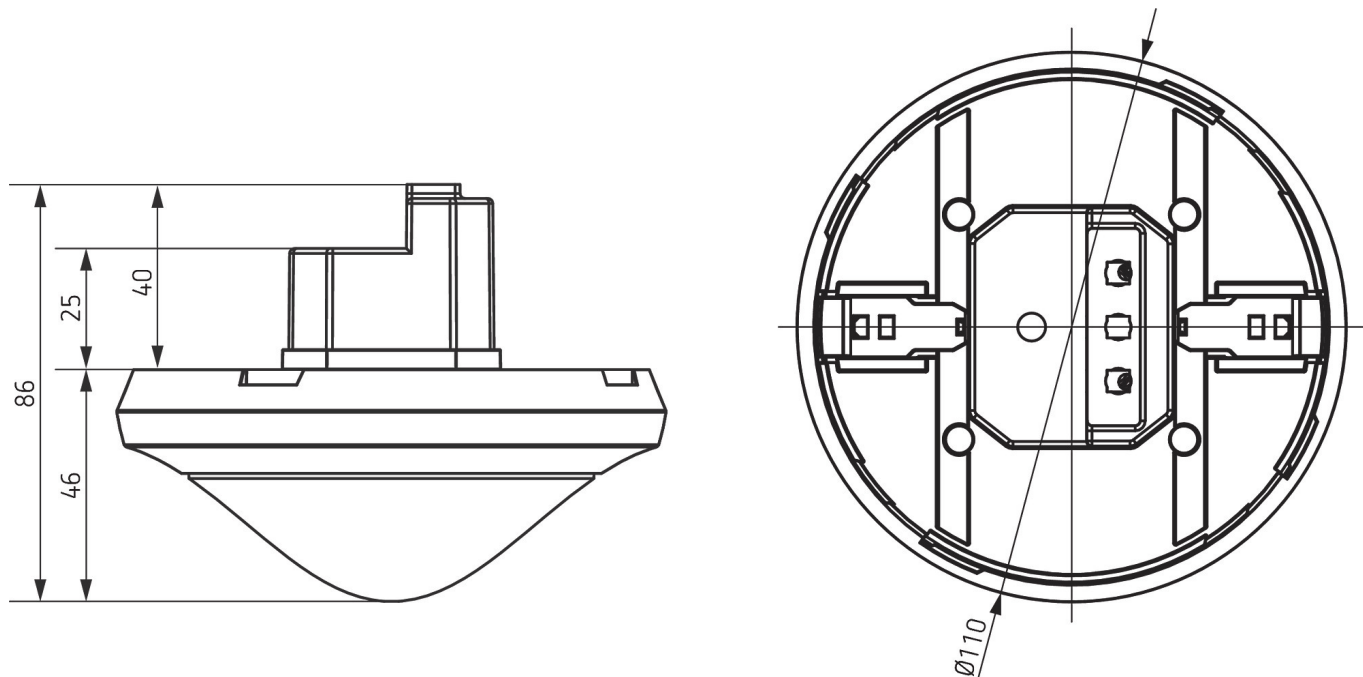
additional information at: www.theben.de/product/2080590

The load data are determined with exemplary selected illuminants and are therefore typical data due to the large number of available products.

theRonda S360 DALI-2 S UP WH

Item no.: 2080590

Scale drawings



Accessories

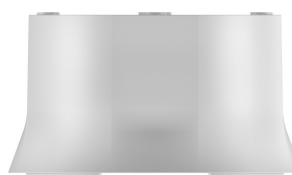
theSenda P
Item no.: 9070910



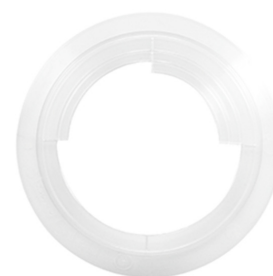
theSenda S
Item no.: 9070911



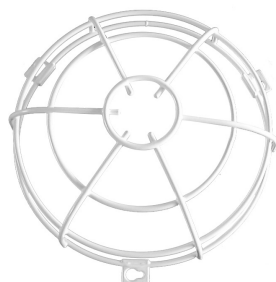
Surface frame 110A WH
Item no.: 9070912



Masking clip
Item no.: 9070921



QuickSafe
Item no.: 9070531



theSenda B
Item no.: 9070985



Cover 110 GR
Item no.: 9070591



Ceiling installation box 68A
Item no.: 9070992



Subject to technical changes and misprints

additional information at: www.theben.de/product/2080590

The load data are determined with exemplary selected illuminants and are therefore typical data due to the large number of available products.