

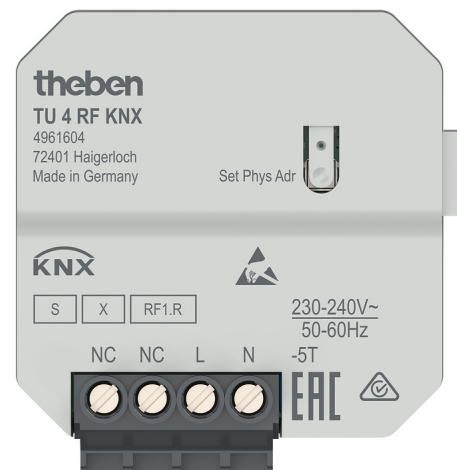
TU 4 RF KNX

Item no.: 4961604

Home and Building control
KNX

Description

- *Available august 2020*
- 4-way flush-mounted wireless push-button interface
- Secure communication via with support of „KNX Data Secure“
- 4 binary inputs for potential-free buttons and signaling contacts
- 1 additional input for temperature sensor
- Free assignment of the functions switching, dimming, blinds, temperature measurement and transmission
- Easy installation due to the compact housing
- Can be used with 4-way push-button module



Technical data

TU 4 RF KNX	
Operating voltage KNX	Bus voltage
Operating voltage	230 – 240 V AC 50 – 60 Hz
Frequency	50 – 60 Hz
Installation type	Flush-mounted

TU 4 RF KNX	
Ambient temperature	-5°C ... 45°C
Protection class	II

Subject to technical changes and misprints

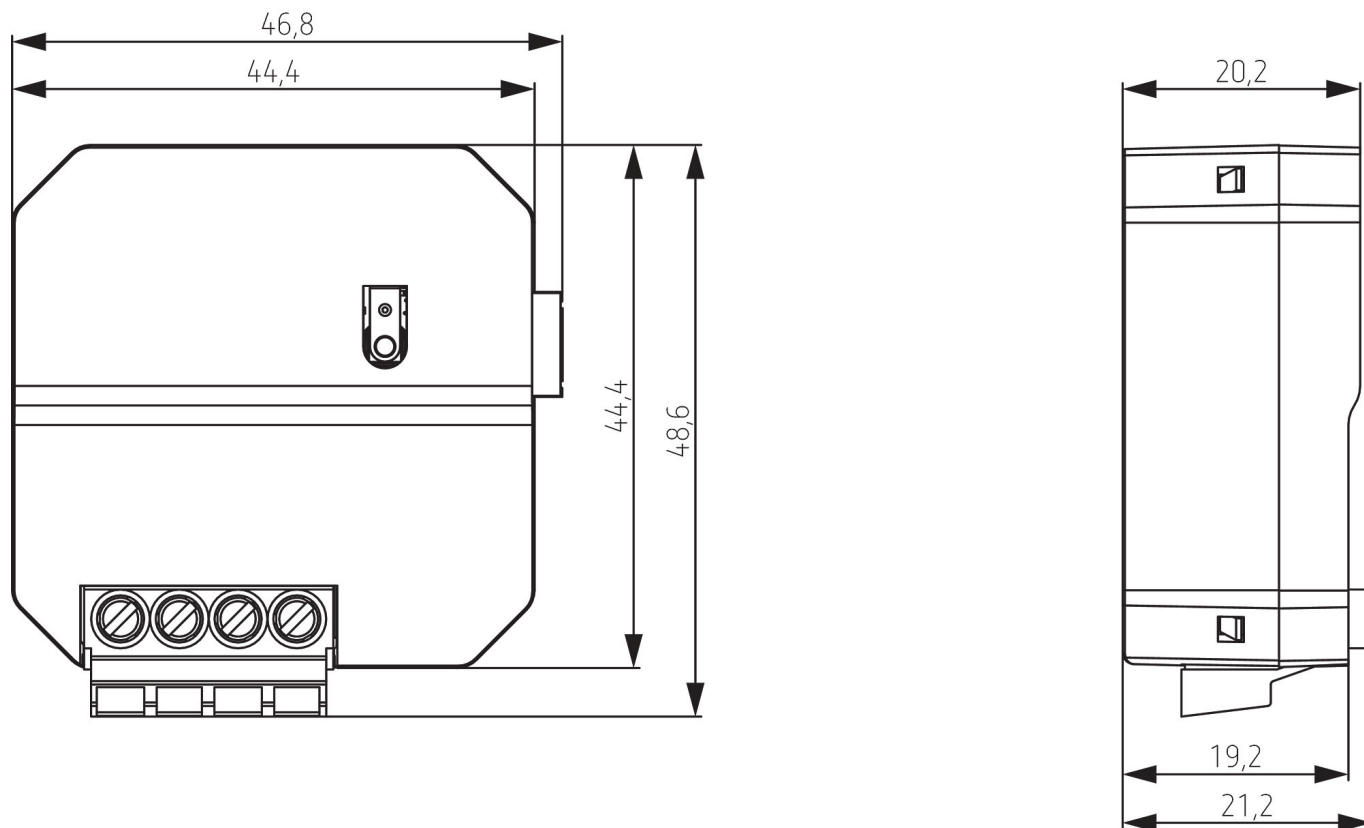
additional information at: www.theben.de/product/4961604

The load data are determined with exemplary selected illuminants and are therefore typical data due to the large number of available products.

TU 4 RF KNX

Item no.: 4961604

Scale drawings



Accessories

Flush-mounted temperature sensor
Item no.: 9070496



4-way push button module
Item no.: 9070806

