

# theRonda S360 KNX AP GR

Item no.: 2089551

## Presence and motion detectors Indoor detectors

### Description

- Passive infrared presence detector for ceiling installation
- Circular detection area 360°, up to Ø 9 m (64 m<sup>2</sup>)
- Automatic presence- and brightness-dependent control for lighting and HVAC
- Mixed light measurement suitable for fluorescent (FL/PL/ESL), halogen/incandescent lamps and LEDs
- 2 light channels C1, C2
- Switching operation or constant light control with standby function (orientation light)
- Switching mode with dimmable lighting
- Choice of fully or semi-automatic
- Brightness switching value or set point value can be set in lux by using parameters, the object or via remote control
- Teach-in of the brightness switching value or the set point value
- Reduction of time delay when present briefly (short-term presence)
- Manual override by telegram or remote control
- 2 presence channels C4, C5, individually configurable
- Switch-on delay and time delay configurable
- Setting the room correction factor for brightness measurement comparison
- Adjustable sensitivity
- Test mode for checking function and detection area
- Scenes
- Parallel switching of multiple presence detectors (Master/Slave or Master/Master)
- User remote control «theSenda S» (option)
- Management remote control «SendoPro 868-A» (option)
- Installation remote control «theSenda P» (option)



### Technical data

theRonda S360 KNX AP GR		theRonda S360 KNX AP GR	
Installation height	2 – 4 m	Measuring range brightness	10 – 3000 lx
Minimum height	> 1,7 m	Detection angle	360°

Subject to technical changes and misprints

additional information at: [www.theben.de/product/2089551](http://www.theben.de/product/2089551)

The load data are determined with exemplary selected illuminants and are therefore typical data due to the large number of available products.

# theRonda S360 KNX AP GR

Item no.: 2089551

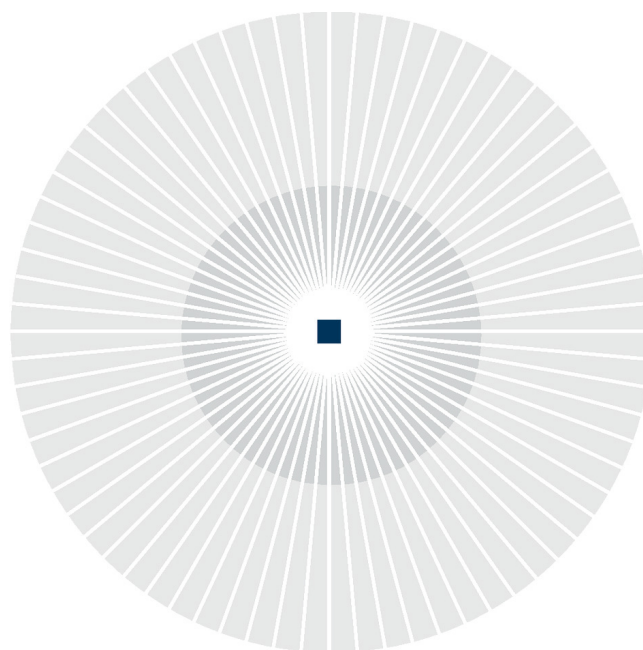
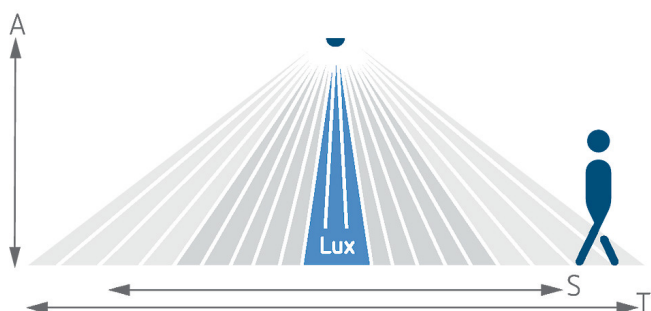
## Technical data

theRonda S360 KNX AP GR	
Type of connection	KNX bus terminal
Installation type	Ceiling installation
Light switch-off delay	30 s – 60 min
Lamps	Energy saving lamps, fluorescent lamps, Incandescent/halogen lamps, LEDs
Light measurement	Mixed light measurement

theRonda S360 KNX AP GR	
Presence switch-off delay	10 s - 120 min
Switch-on delay presence	10 s – 30 min / inactive
Ambient temperature	-15°C ... 50°C
Detection range	50 m <sup>2</sup> (ø 8 m   360°)
Colour	Grey
Type of protection	IP 54

## Detection range for planning applications

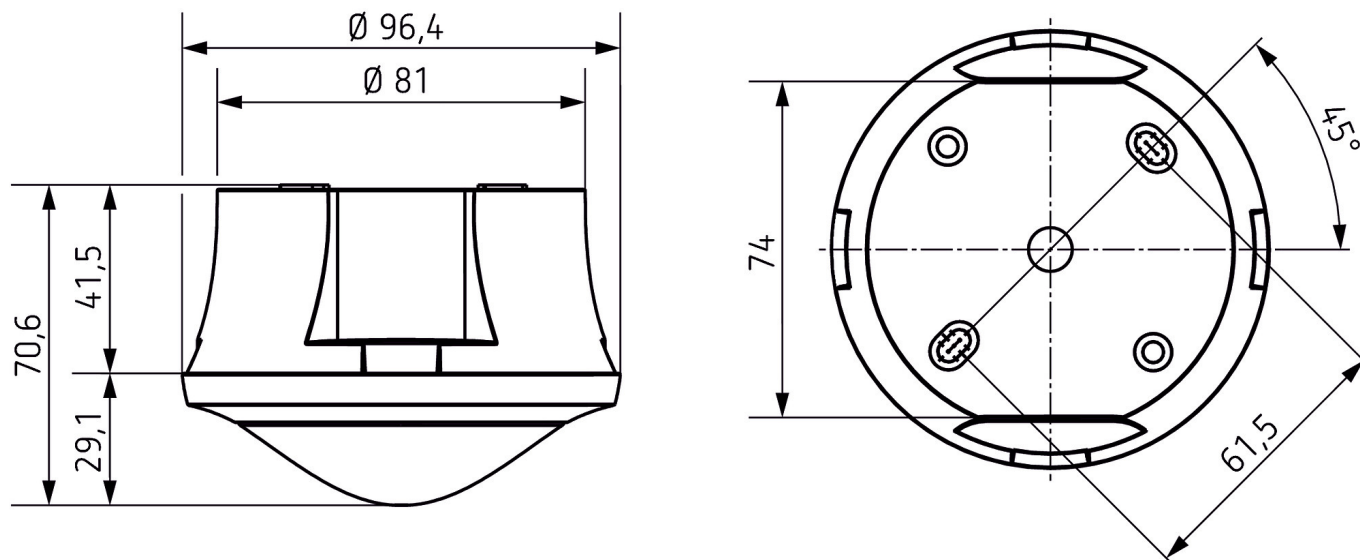
Mounting height (A)	Sitting (S)	Diagonally (T)	Head on to (R)
2 m	5 m <sup>2</sup>   2.5 m	38 m <sup>2</sup>   7 m	5 m <sup>2</sup>   2.5 m
2.5 m	7 m <sup>2</sup>   3 m	38 m <sup>2</sup>   7 m	7 m <sup>2</sup>   3 m
3 m	13 m <sup>2</sup>   4 m	50 m <sup>2</sup>   8 m	13 m <sup>2</sup>   4 m
3.5 m	13 m <sup>2</sup>   4 m	50 m <sup>2</sup>   8 m	13 m <sup>2</sup>   4 m
4 m		64 m <sup>2</sup>   9 m	13 m <sup>2</sup>   4 m



# theRonda S360 KNX AP GR

Item no.: 2089551

## Scale drawings



## Accessories

**theSenda P**  
Item no.: 9070910



**theSenda S**  
Item no.: 9070911



**theSenda B**  
Item no.: 9070985

